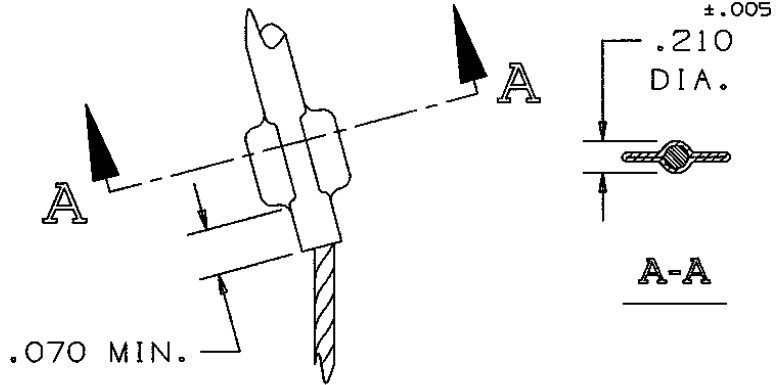
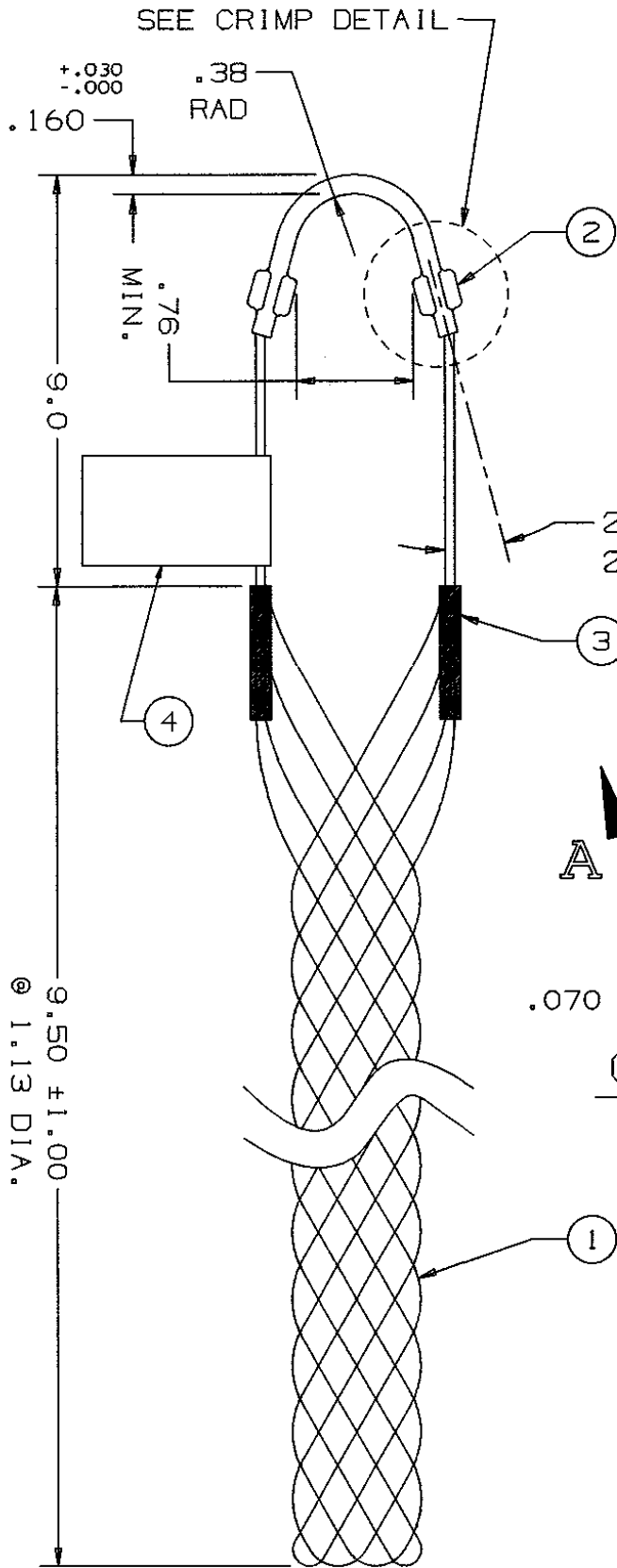


COMPONENT LIST

ITEM NO.	DESCRIPTION	MAT'L	COMPONENT NO.	QTY.
1	STRAND	T BRZ	302-01-004	-
2	EYE	CU	342-43-004	1
3	EQUALIZER	BRZ	304-48-007	2
4	TAG	MYLAR		1



CRIMP DETAIL

IN ACCEPTING OUR DRAWINGS OR BLUEPRINTS FOR QUOTATION OR OTHER PURPOSES, YOU AGREE NOT TO DISCLOSE TO OTHERS THE IDEAS, INFORMATION, OR DESIGNS THEREIN SHOWN, AND THAT YOU WILL MAKE NO USE OF OUR DRAWINGS OR BLUEPRINTS OR OF THE IDEAS, INFORMATION, OR DESIGNS THEREIN SHOWN WITHOUT OUR PERMISSION.

TITLE GRIP, STD. SUPPORT, CLOSED MESH, SINGLE WEAVE, SINGLE "U" EYE DIA. RA 1.06-1.25 APPROX BRK STR. 1020# ±20%

TOLERANCES UNLESS OTHERWISE SPECIFIED  
 .X = ±.5  
 .XX = ±.05  
 .XXX = ±.015  
 ANGLE TOL. ± 2°

HUBBELL INCORPORATED  
 KELLEMS DIVISION  
 STONINGTON, CT

DR. BY RCM      APP. BY FFS  
 TR. BY              SCALE N/A  
 CHK. BY FFS      DATE 1/3/08

DR. NO.                      REV.  
**022-16-015**                      1