



Ex d Surface Mount with low-profile lens



Ex d Trunnion Mount with low-profile lens



Ex de Surface Mount with high-profile lens



▶ Model G-LED

Global Series® Signaling Platform – LED

Federal Signal’s patented Global Series® LED Beacons feature a long-life LED with the ability to select one of eight (8) flash patterns (user-configurable) and offers two lens options (low or high-profile). The device is rated to the latest protection concept, “Ex op is” (inherently safe optical radiation). The housing is made from GRP (Glass Reinforced Polyester) designed to serve the demanding needs of offshore marine and land-based industrial applications.

The Global Series LED Beacons flameproof “Ex d” versions come standard with two (2) M20 entries. The increased safety “Ex de” versions include a separate terminal chamber for quick field termination or pass-through wiring, and includes three (3) M20 entries in a standard configuration.

These units can be combined with other Global Series products to create factory direct custom configurations, or optional coupling kits are available for limited field fixturing. The Global Series LED Beacon is ideal for use in alarm control panel applications.

FEATURES

- Available in 24VDC and 120-240VAC 50/60Hz
- Optional 316 stainless steel ratchet adjustable mounting U-bracket (field installation required)
- GRP (Glass Reinforced Polyester) Non-metallic corrosion resistant design
- Two lens options: low- or high-profile
- Dome guard included
- 24VDC models contain a supervisory diode and four wire terminal block
- M20 entries standard (M25 option available)
- LED has 8 on-board flash patterns, factory default is flashing at 60 FPM
- “Auto-sync” available for AC flashing pattern products²
- Optional indicator rings are available in six colors: Black, Blue, Green, Magenta, Red and Yellow
- Field customizable legend plates available¹
- Type 4X, IP66 enclosure
- IP69K compliant
- Zone 1, 21 Rated, IECEx, ATEX, Ex d IIC, Ex de IIC and Ex tb IIIC
- UL and cUL Listed for Class I, Division 2, Groups A, B, C and D; Class II, Division 2, Groups F and G; Class III
- UL and cUL Listed for Class I, Zone 1 AEx db IIC and Zone 21, AEx op is tb IIIC T200°C, excludes increase safety versions (Ex de)

MODEL	OPERATING VOLTAGE	OPERATING CURRENT	LIGHT OUTPUT	
			HIGH PROFILE	LOW PROFILE
G-LED	24VDC	0.30 amps	140 cd	175 cd
	120-240VAC 50/60Hz	0.12-0.07 amps	140 cd	175 cd

UL/cUL HAZARDOUS LOCATION RATING

TEMPERATURE CODE AT 70°C

Class I, Division 2, Groups A, B, C, D T4

Class II, Division 2, Groups F, G T6

Class III T6

UL/cUL HAZARDOUS LOCATION CLASS/ZONE

TEMPERATURE CODE AT 70°C

T4

ATEX/IECEx HAZARDOUS LOCATION RATING

TEMPERATURE CODE AT 70°C/58°C

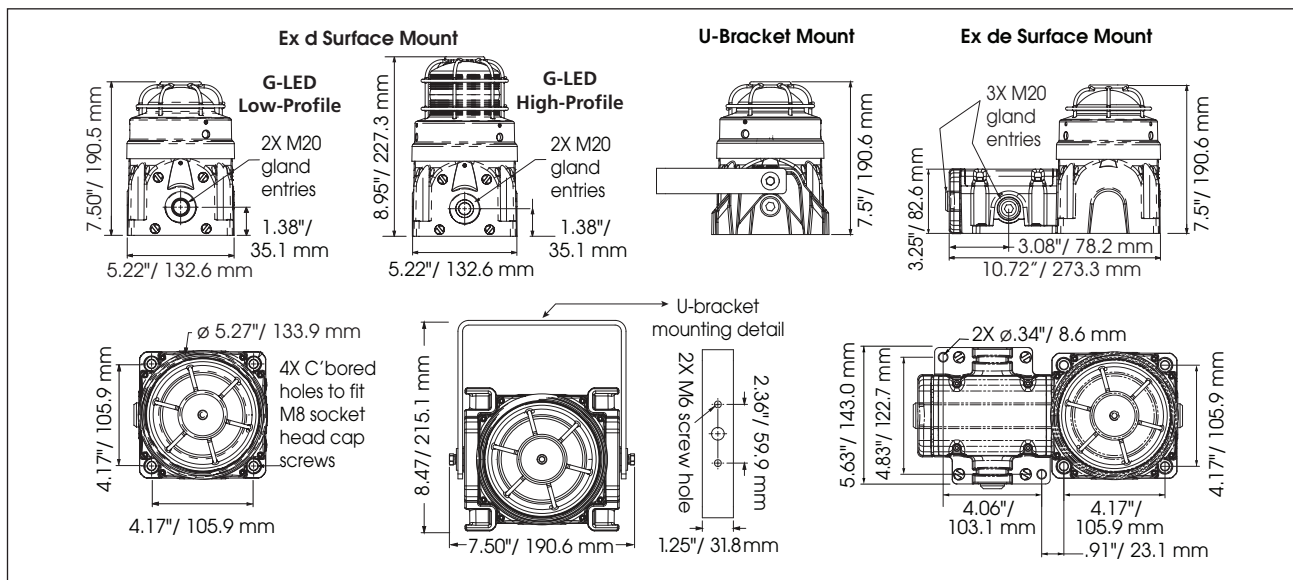
T5/T6

¹ Recommended labels: BRADY #B-855 Toughwash labels or ULINE #S-16643 weather resistant

² Consult our Technical Support team for details



Global Series® Signaling Platform – LED (G-LED)



SPECIFICATIONS

Lamp Life:	50,000 Hours	
Light Source:	LED	
Nominal Operating Temperature Range:	-67°F to 158°F	-55°C to 70°C
ATEX/IECEx Certification Marking:	II 2GD Ex db e op is IIC Gb, Ex tb IIIC Db IP66. T6 @ 58°C; T5 @ 70°C II 2GD Ex de IIC Gb, Ex tb IIIC Db IP66. T6 @ 58°C; T5 @ 70°C ATEX: Baseefa15ATEX0153X IECEx: IECEx BAS 15.0102X	
Guard and External Fasteners:	316 stainless steel	
Terminals:	Ex d: 6 way block (3 in, 3 out)	
Cable Entries:	Ex d: 2 entries - M20 x 1.5	Ex de: 3 entries - M20 x 1.5
UL and cUL Certification Marking:	Class I, Division 2, Groups A, B, C, D T4 @ 70°C Class II, Division 2, Groups F, G T6 @ 70°C Class III T6 @ 70°C UL and cUL E207119	
Net Product Weight	Low-Profile	High-Profile
Ex d Surface Mount:	6.17 lbs (2.80 kg)	6.67lbs (3.02 kg)
Ex d U-Bracket Mount:	8.15 lbs (3.70 kg)	8.65 lbs (3.92 kg)
Ex de Surface Mount:	8.99 lbs (4.08 kg)	9.49 lbs (4.30 kg)

REPLACEMENT PARTS

DC LED (24VDC) Internal Sub-Assembly Kits

(Includes PCBA, bracket, LED light head and mounting screw)

LED/PCB DC Sub-Assy, Amber	K859501400-A
LED/PCB DC Sub-Assy, Blue	K859501400-B
LED/PCB DC Sub-Assy, White**	K859501400-W
LED/PCB DC Sub-Assy, Green	K859501400-G
LED/PCB DC Sub-Assy, Magenta**	K859501400-W
LED/PCB DC Sub-Assy, Red	K859501400-R
LED/PCB DC Sub-Assy, Yellow**	K859501400-W

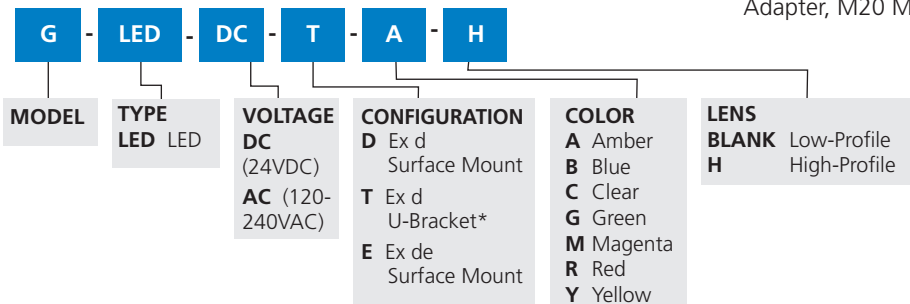
AC LED (120-240VAC) Internal Sub-Assembly Kits

(Includes PCBAs, bracket, LED light head and mounting screw)

LED/PCB AC Sub-Assy, Amber	K859501401-A
LED/PCB AC Sub-Assy, Blue	K859501401-B
LED/PCB AC Sub-Assy, White**	K859501401-W
LED/PCB AC Sub-Assy, Green	K859501401-G
LED/PCB AC Sub-Assy, Magenta**	K859501401-W
LED/PCB AC Sub-Assy, Red	K859501401-R
LED/PCB AC Sub-Assy, Yellow**	K859501401-W
E-Box Endcap with M20 Opening	K859500805-02
E-Box Endcap with M25 Opening	K859500805-01

Note: Reference manual for complete list of replacement parts.

HOW TO ORDER



* Field Installation Required. Reference Global Series accessory products on pages 17 and 18 for list of available accessories.

** Order white LED board for clear, magenta or yellow product assemblies.

#B50000767 Rev. A0