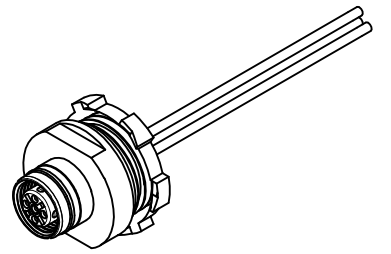


ITEM	COMPONENT	MATERIAL	FINISH
1	INSERT	TPU	BLACK
2	HOUSING	BRASS	NICKEL PLATED
3	CONTACT	BRASS / GOLD	CuZn Ni/ Au
4	LOCK NUT	STEEL	ZINK PLATED
5	O-RING	VITON	RED
6	O-RING	NBR	BLACK
7	WIRES	COPPER/PVC	SEE TABLE

- 1 - BROWN
- 2 - WHITE
- 3 - BLUE
- 4 - BLACK
- 5 - GREY

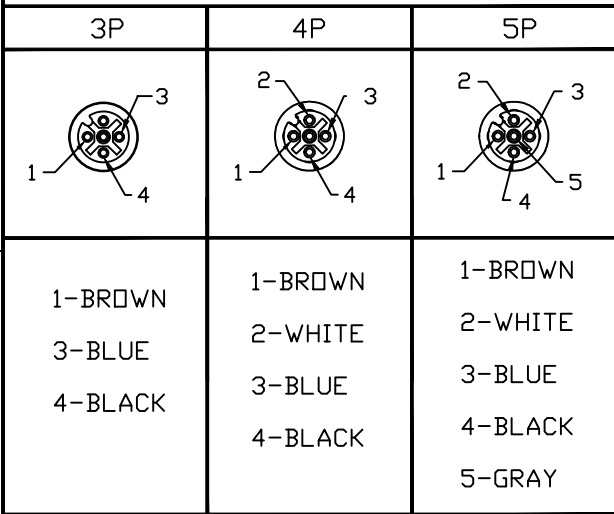
POLE	MATERIAL NO	ENGINEERING NO	FINISHED LENGTH
4	1200840007	WR4000A18C300	300 mm
5	1200840016	WR5000A18C300	300 mm



VOLTAGE RATING: 250 VAC/VDC
 AMPERAGE RATING: 4A
 PROTECTION CLASS: IP 67/68/69K
 OPERATING TEMPERATURE: -25°C / 90°C
 UL CERTIFICATION: FILE NO. E152210
 CSA CERTIFICATIONS: FILE NO. LR6837

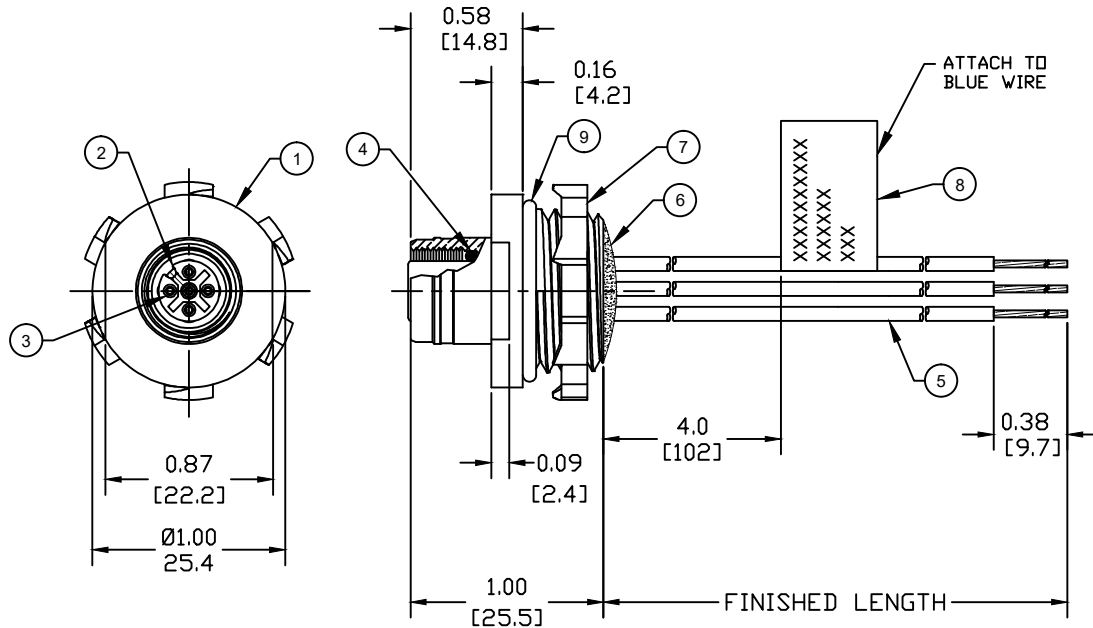
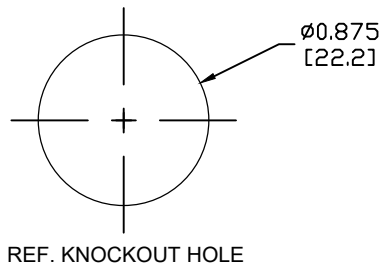
ENTER DESCRIPTION EC NO: WEU2010-0369 DRWN: NSTAUDIGEL 2010/02/17 CHKD: 2010/02/19 APPR: FPACHER 2010/02/24	QUALITY SYMBOLS ▽=0 ◻=0	GENERAL TOLERANCES (UNLESS SPECIFIED)		DIMENSION STYLE IN/MM		SCALE 2:1	DESIGN UNITS INCH	THIRD ANGLE PROJECTION		
			mm	INCH	DRAWN BY NSTAUDIGEL	DATE 2010/02/17	TITLE M12 4/5P UL FEM REC FRONT MOUNT 1/2NPT			
		4 PLACES	±---	±---	CHECKED BY	DATE	APPROVED BY FPACHER			
		3 PLACES	±---	±---	DATE 2010/02/19		MATERIAL NO. DOCUMENT NO. SD-120084-027			
2 PLACES	±0.05	±---	APPROVED BY FPACHER		MOLEX INCORPORATED					
1 PLACE	±0.1	±---	DATE 2010/02/19		SHEET NO. 1 OF 1					
ANGULAR ±---°			DRAFT WHERE APPLICABLE MUST REMAIN WITHIN DIMENSIONS		THIS DRAWING CONTAINS INFORMATION THAT IS PROPRIETARY TO MOLEX INCORPORATED AND SHOULD NOT BE USED WITHOUT WRITTEN PERMISSION					

FACE VIEW - FEMALE INSERT



CABLE LENGTH TOLERANCES
 >.3M [1FT]: +19mm-0 [+1.75in-0]
 .3 - .9M [1 - 3FT]: +44.5mm-0 [+1.75in-0]
 .9 - 1.8M [3 - 6FT]: +55.6mm-0 [+2.19in-0]
 1.8 - 3.7M [6 - 12FT]: +88.9mm-0 [+3.50in-0]
 3.7 - 7.3M [12 - 24FT]: +165.1mm-0 [+6.50in-0]
 7.3-14.6M [24 - 48FT]: +317.5mm-0 [+12.50in-0]
 14.6 - 30.5M [48-100FT]: +622.3mm-0 [+24.50in-0]
 OVER 30M [100FT] +2% OF FINISHED LENGTH

PART NUMBER LEGEND
WR4000A18M0108
 POLES → SS SHELL
 WIRE TYPE → 22 AWG PVC
 FINISHED LENGTH:
 M005 = 0.5 METER
 M010 = 1 METER
 M100 = 10 METER



- NOTES:
 1. MATERIAL: AS NOTED
 2. FINISH: AS NOTED
 3. ELECTRICAL:
 VOLTAGE: 250V
 CURRENT: 4A
 4. TEMP RATING: -25°TO +80°C
 5. PROTECTION: IP67 (WHEN MATED)
 6. COUPLING THREAD: M12 X 1
 7. CSA RECOGNIZED PER FILE: LR6837
 8. ALL DIMS ARE FOR REFERENCE
 UNLESS NOTED OTHERWISE

PART NO.	ENGINEERING NO.	FINISHED LENGTH	POLES
1200840025	WR5000A16C300	0.3M [1'0"]	5
1200840023	WR5000A18M0108	1.0M [3'3"]	5

ITEM	DESCRIPTION	MATERIAL	FINISH
9	GASKET	BUNA-N	BLACK
8	FLAG LABEL	VINYL	BLACK/YELLOW
7	LOCK NUT	STEEL	ZINC PLATED
6	POTTING MATERIAL	EPDXY	
5	WIRE, 22 AWG UL 1061	PVC INSULATION	SEE FACE VIEW
4	O-RING	VITON	RED
3	CONTACT SOCKET	COPPER ALLDY	GOLD PLATED
2	FEMALE INSERT	NYLON	BLACK
1	RECEPTACLE SHELL	ST. STEEL	PASSIVATED

RELEASE	EC NO: ICG2020-0011	DRWN: JCAPPOZZ 2019/08/01	CHKD: RSTONE 2019/08/01	APPR: BWOODMAN 2019/08/15
QUALITY SYMBOLS	▽=0	▽=0		

	GENERAL TOLERANCES (UNLESS SPECIFIED)	
	mm	INCH
4 PLACES	±---	±---
3 PLACES	±---	±.005
2 PLACES	±0.05	±0.10
1 PLACE	±0.10	±---
ANGULAR ± 5°		
DRAFT WHERE APPLICABLE MUST REMAIN WITHIN DIMENSIONS		

DIMENSION STYLE INCH ONLY	
DRAWN BY	DATE
JCAPPOZZ	2019/08/01
CHECKED BY	DATE
RSTONE	2019/08/01
APPROVED BY	DATE
BWOODMAN	2019/08/15
MATERIAL NO.	
SEE P/N CHART	
SIZE	A

SCALE NTS	DESIGN UNITS INCH	THIRD ANGLE PROJECTION
TITLE		
M12 U-LOCK RECEPT ASSY 3, 4, 5P F/FR 1/2 NPT		
MOLEX INCORPORATED		
DOCUMENT NO.		SHEET NO.
SD-120084-182		1 OF 1
THIS DRAWING CONTAINS INFORMATION THAT IS PROPRIETARY TO MOLEX INCORPORATED AND SHOULD NOT BE USED WITHOUT WRITTEN PERMISSION		