

Raceway
Metal Raceway
HBL2400 (D) Series Cutter

HUBBELL

Features

- Portable cutter for HBL2400 Series Raceway
- Also for use with HBL2400D series

Ordering Information

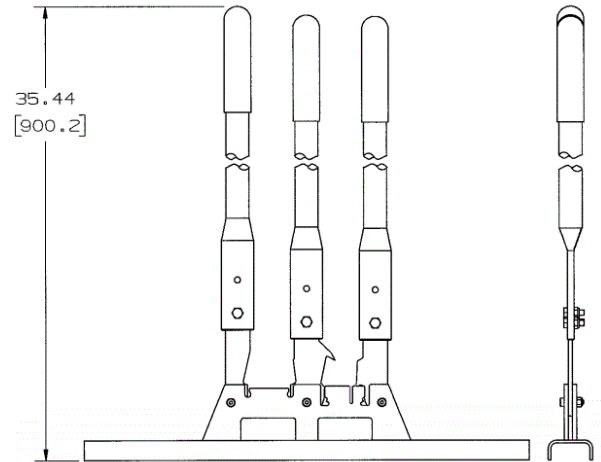
Description	Material	UPC Number	Catalog Number
Cutter	Steel	783585341460	HBL624CUT

Listings

UL Listed
CSA Certified

Specifications

Height	3'
Width	0.5"
Length	3'



Online Resources

Customer Use Drawing
eCatalog
Installation Instructions

Dimensions in Inches (mm)

Hubbell Wiring Device-Kellems • Hubbell Incorporated (Delaware) • 40 Waterview Drive • Shelton, CT 06484

Phone (800) 288-6000 • Fax (800) 255-1031 • Specifications subject to change without notice.

