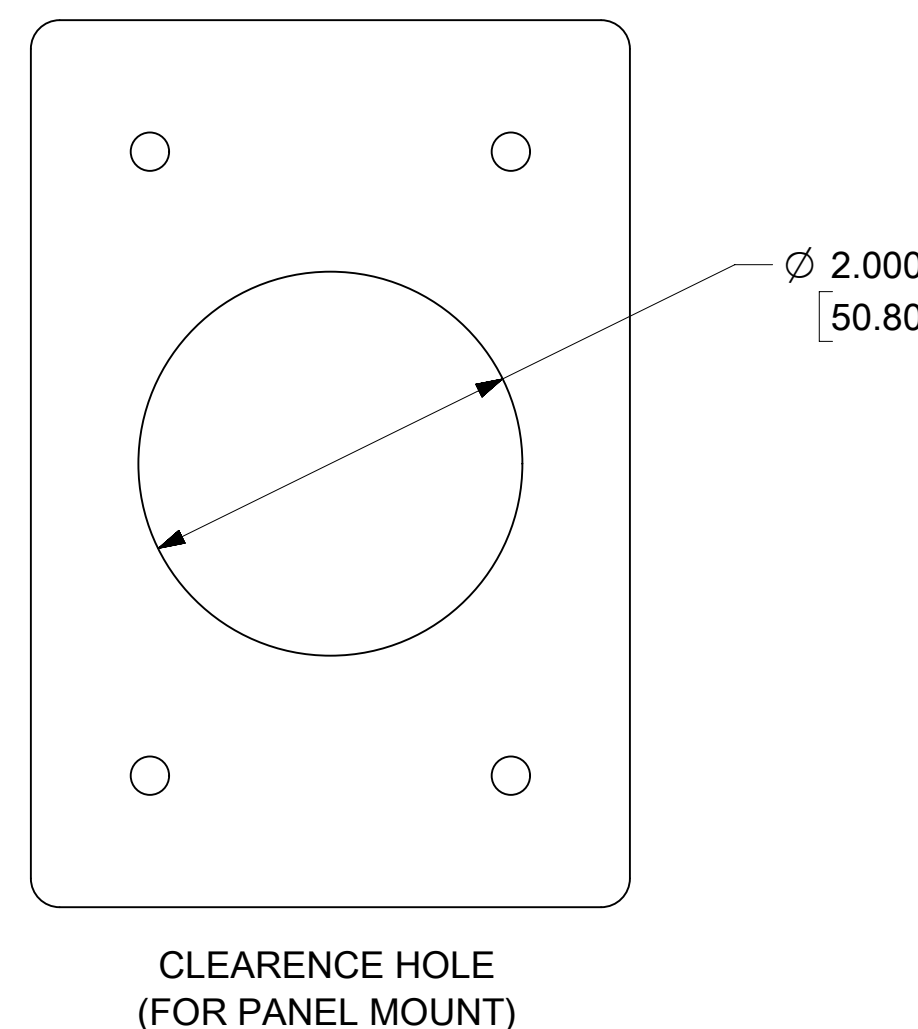
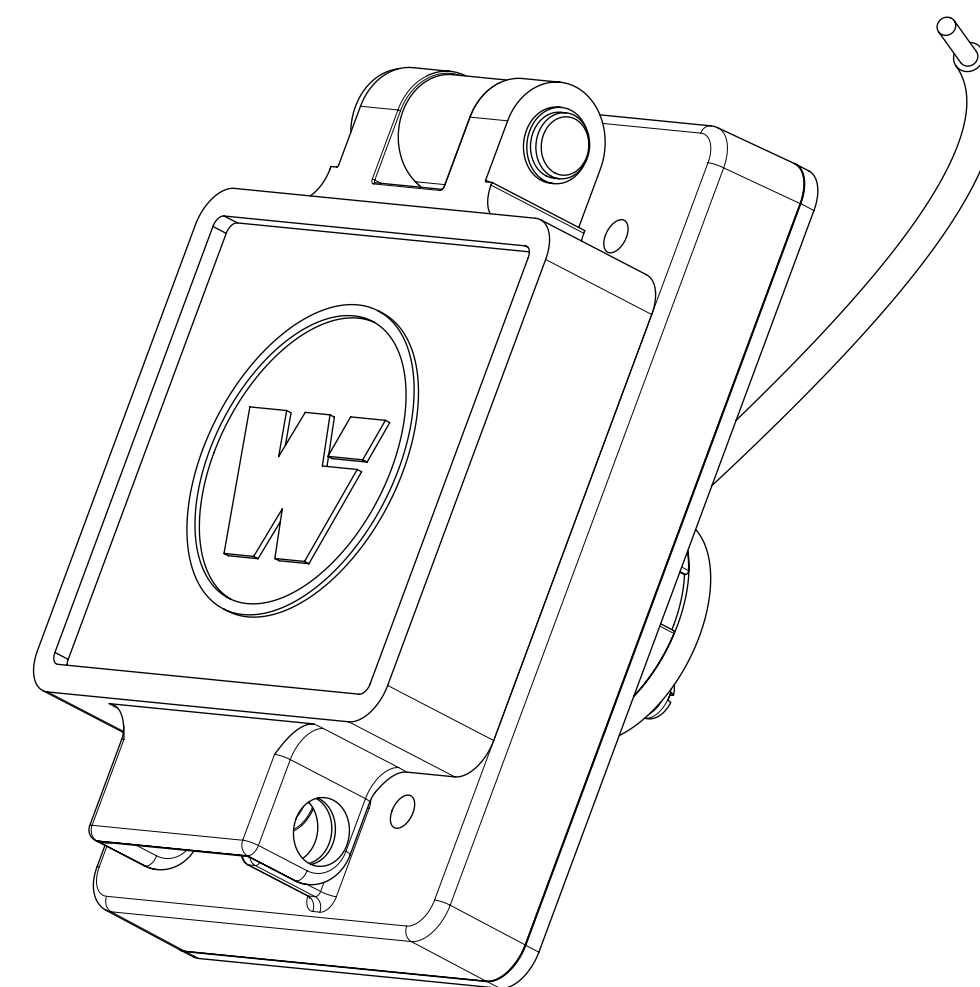
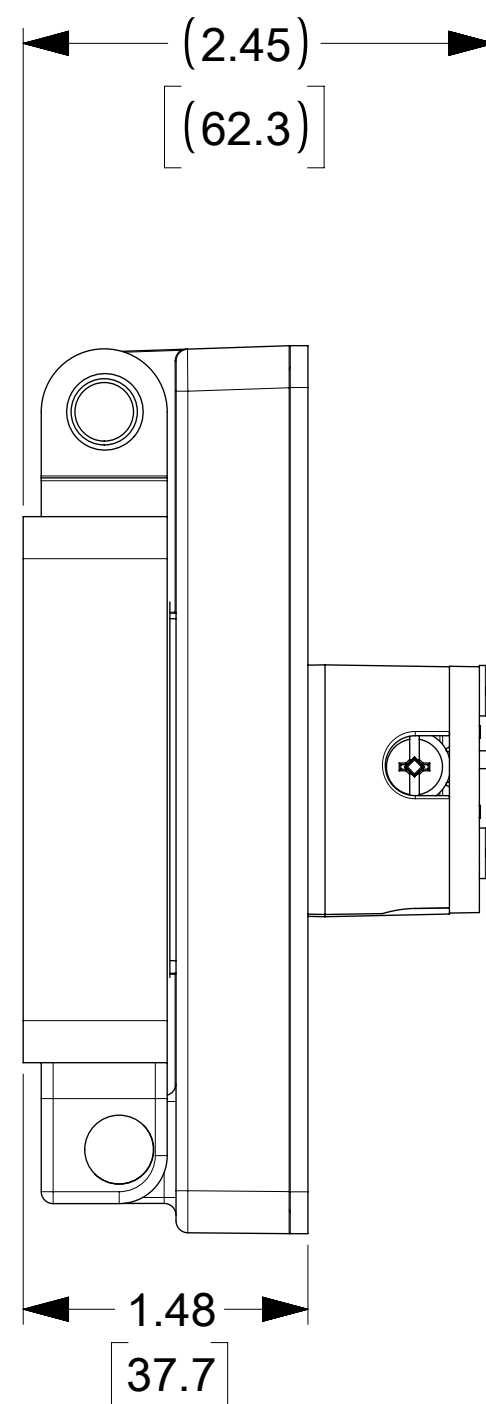
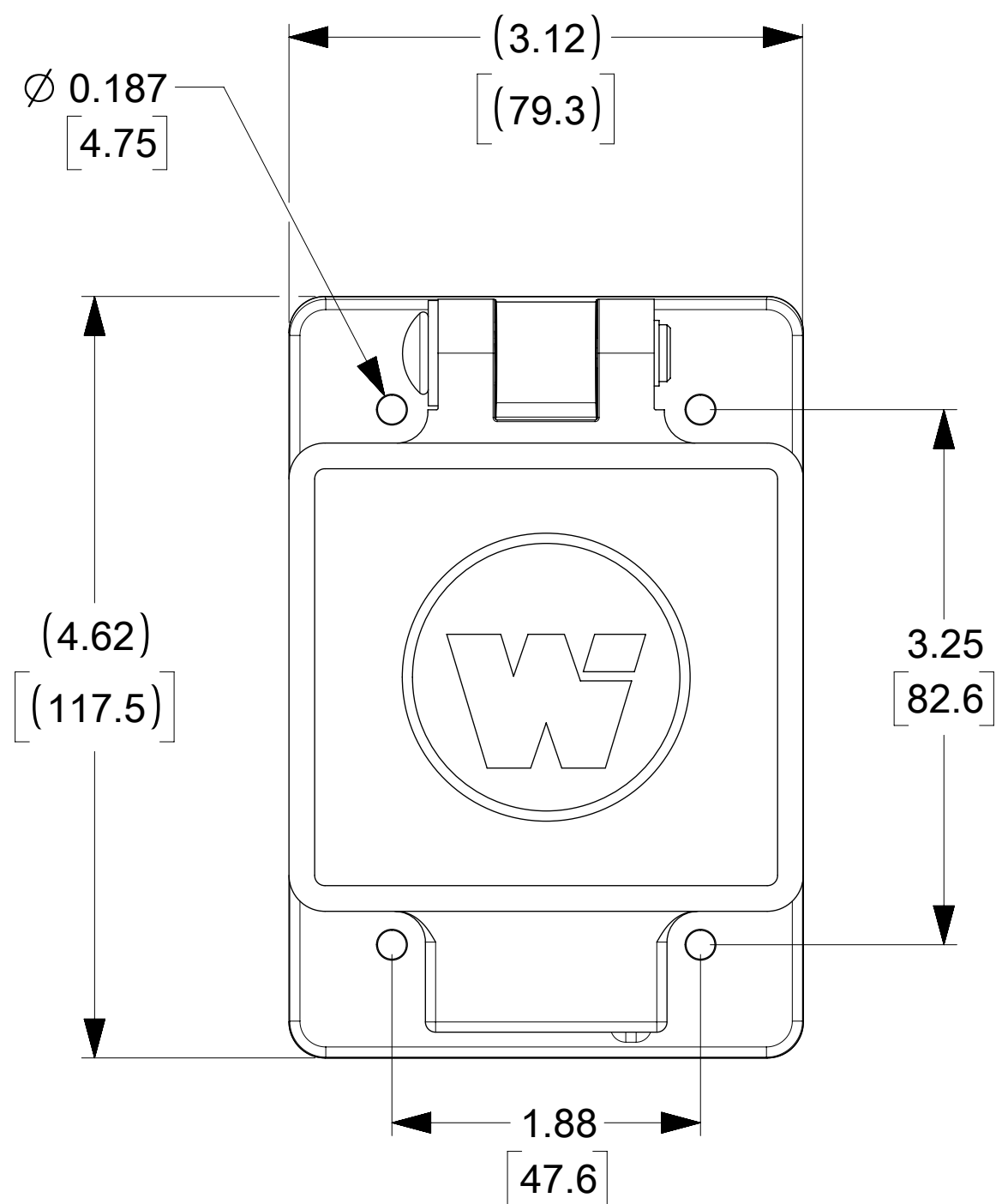


ORDER NO.	WOODHEAD NO.	COLOR
130146-0129	60W47	YELLOW
130146-0130	60W47BLK	BLACK



DESCRIPTION	MATERIAL	QTY.
BLADES	BRASS, NICKEL PLATED	3
RETAINING SCREWS	STAINLESS STEEL	3
CLAMP AND TERMINAL SCREW ASSY.	BRASS, ZINC PLATED	3
FEMALE INSERT	NYLON	1
TERMINAL COVER	POLYCARBONATE	1
COVER ASSEMBLY	POLYCARBONATE, STAINLESS STEEL, ALUMINUM	1
GASKET FLIP	NEOPRENE	1
SUPPORT PLATE	STAINLESS STEEL	1
SCREW (GROUND WIRE)	STAINLESS STEEL	1
JUMPER WIRE ASSY	COPPER, BRASS (TINNED FINISH)	1

THIS DRAWING CONTAINS INFORMATION THAT IS PROPRIETARY TO MOLEX ELECTRONIC TECHNOLOGIES, LLC AND SHOULD NOT BE USED WITHOUT WRITTEN PERMISSION													
SYMBOLS		DIMENSION UNITS		SCALE		CURRENT REV DESC: MIGRATE TO NX/ECTR							
▽ = 0	INCH	MM	NTS			molex WATERTITE FS COVERPLATE 2P3W 5-15 PRODUCT CUSTOMER DRAWING							
▽ = 0	GENERAL TOLERANCES (UNLESS SPECIFIED)									EC NO: 611802 DRWN: VBASUTHKARP 2018/12/10 CHK'D: DNGUYEN62 2019/02/22 APPR: HKNEELAND 2019/03/11			
▽ = 0										INITIAL REVISION: DRWN: VBASUTHKARP 2018/12/10 APPR: HKNEELAND 2019/03/11			
▽ = 0	4 PLACES ±		MM	INCH			DOCUMENT NUMBER 1301460129		DOC TYPE PSD	DOC PART 000	REVISION A		
▽ = 0	3 PLACES ±						MATERIAL NUMBER SEE TABLE		CUSTOMER GENERAL MARKET		SHEET NUMBER 1 OF 1		
▽ = 0	2 PLACES ±												
▽ = 0	1 PLACE ±												
▽ = 0	0 PLACES ±												
▽ = 0	ANGULAR TOL ± °												
▽ = 0	DRAFT WHERE APPLICABLE MUST REMAIN WITHIN DIMENSIONS				THIRD ANGLE PROJECTION 		DRAWING C-SIZE		SERIES 130146				

DOCUMENT STATUS	P1	RELEASE DATE	2019/03/11 20:26:12
-----------------	----	--------------	---------------------