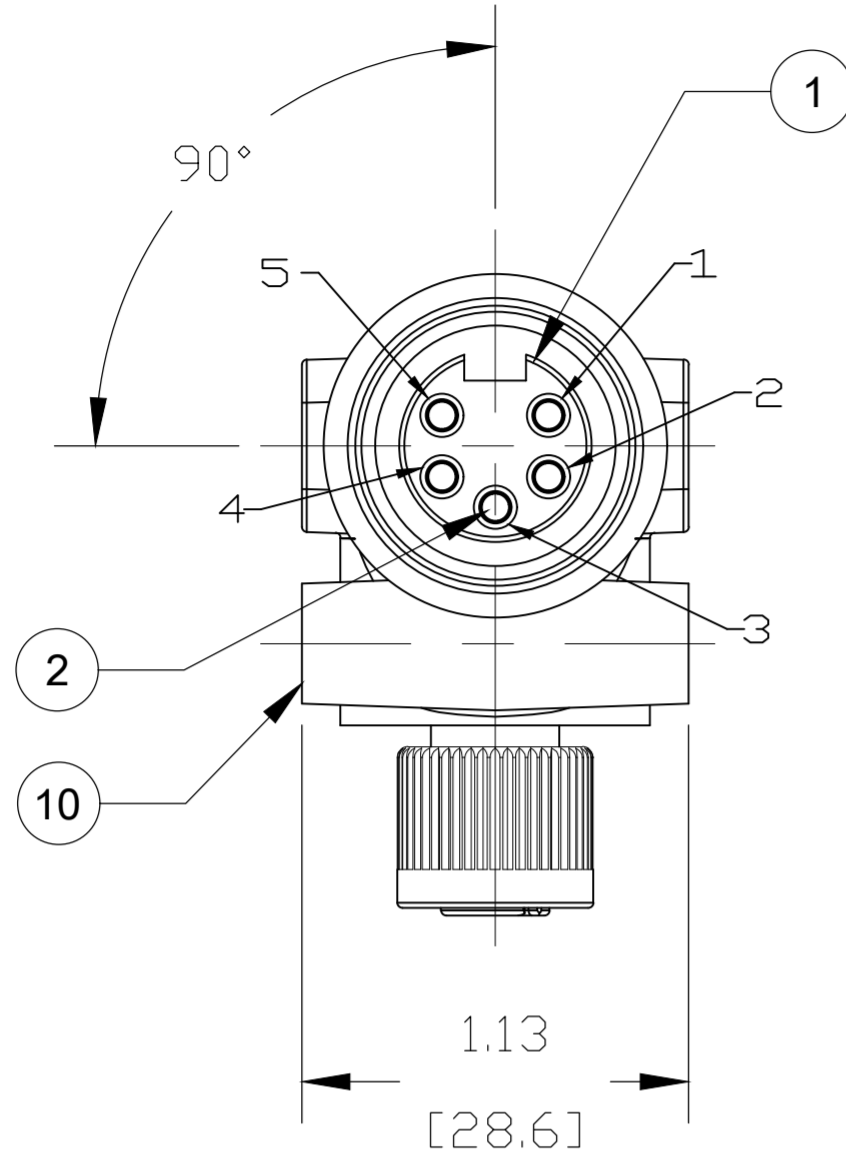
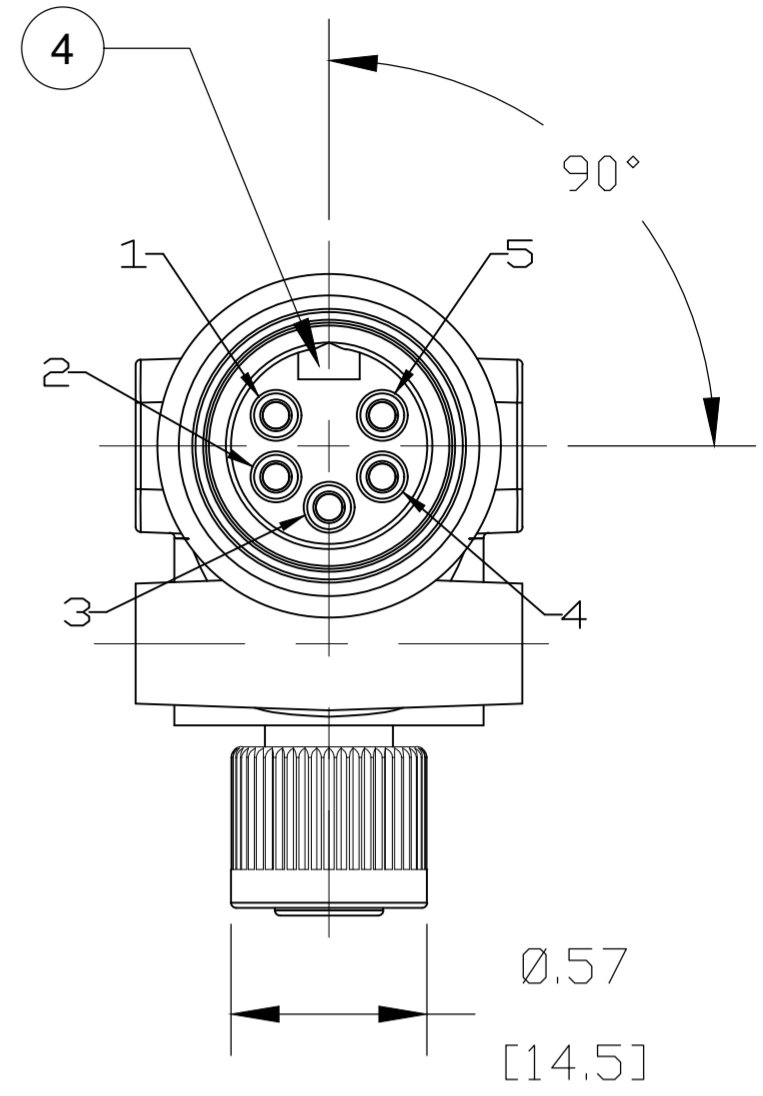
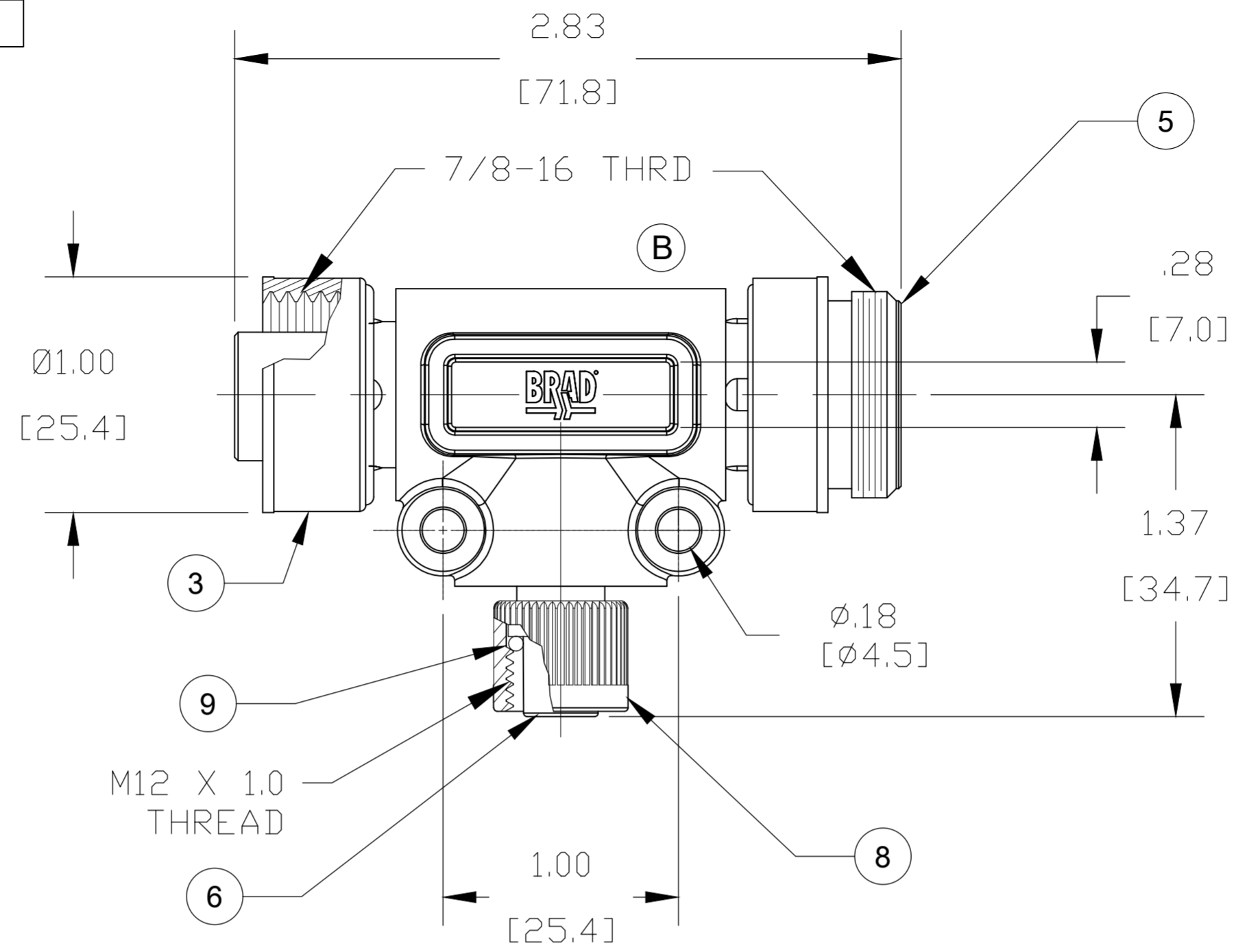


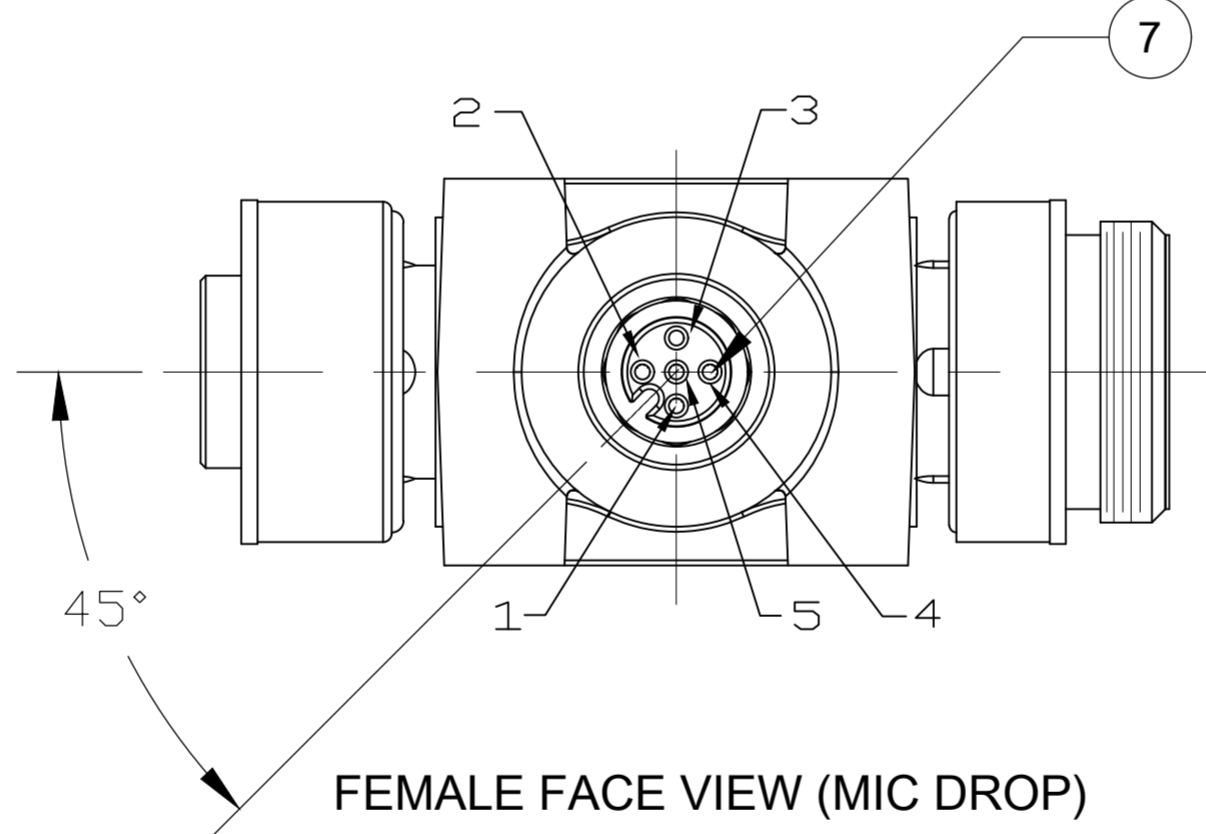
MOLEX P/N	ENGINEERING NO.	COUPLING NUT MATERIAL & FINISH
1300390341	DND3020	DIE CAST ZINC, BLACK E-COAT
1300390342	DND3020SS	ST. STEEL, PASSIVATED



FEMALE FACE VIEW

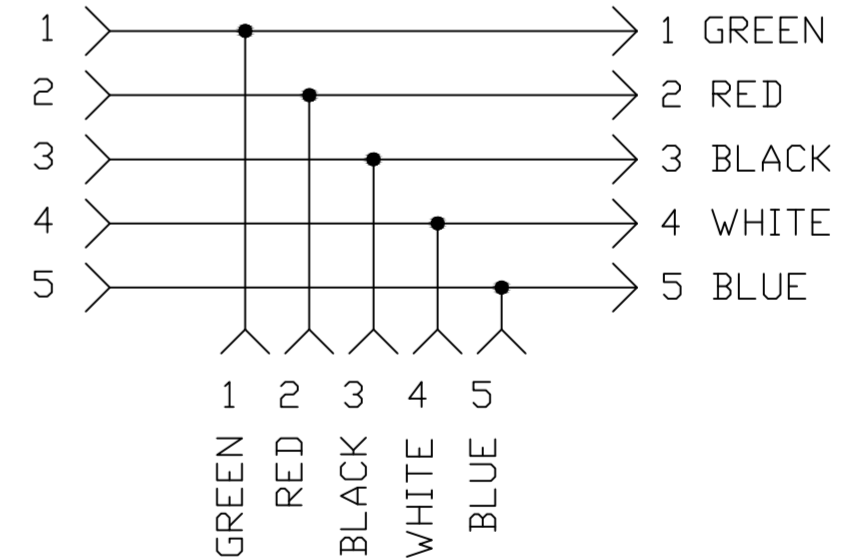


MALE FACE VIEW



FEMALE FACE VIEW (MIC DROP)

ELECTRICAL DIAGRAM



- NOTES:
1. MATERIAL: AS NOTED
  2. FINISH: AS NOTED
  3. ELECTRICAL:  
VOLTAGE: 250VDC  
CURRENT: ((TRUNK) 10A  
CURRENT (DROP): 4A
  4. TEMP RATING: -25°C TO +105°C
  5. PROTECTION: IP67 (WHEN MATED)
  6. COUPLING THREADS: AS NOTED
  7. UL RECOGNIZED FILE: E152210  
CSA CERTIFIED FILE: LR6837
  8. ALL DIMS ARE FOR REFERENCE UNLESS TOLERANCED OR NOTED OTHERWISE

ITEM	DESCRIPTION	MATERIAL	FINISH
10	OVERMOLD	TPC	GRAY
9	O-RING	NITRILE	RED
8	MIC FEMALE COUPLING	SEE P/N CHART	SEE P/N CHART
7	CONTACT SOCKET	COPPER ALLOY	GOLD PLATED
6	MIC FEM INSERT 5P	NYLON	BLACK
5	MC COUPLING, MALE	SEE P/N CHART	SEE P/N CHART
4	MC MALE INSERT 5P	TPC	GRAY
3	MC COUPLING, FEMALE	SEE P/N CHART	SEE P/N CHART
2	CONTACT SKT/PIN	COPPER ALLOY	GOLD PLATED
1	MC FEMALE INSERT 5P	TPC	GRAY

REF. THIS DRAWING SUPERSEDES SD-130039-010, REV-B

FUNCTIONAL SYMBOLS $\nabla_A=0$ $\nabla_E=0$ $\nabla_F=0$ DIVISIONAL SYMBOLS	DIMENSION UNITS: INCH/MM SCALE: 1:1		CURRENT REV DESC: CHANGE TO BRAD LOGO, WAS AB	
	GENERAL TOLERANCES (UNLESS SPECIFIED)		EC NO: 644273 DRWN: RSTONE 2020/08/28 CHK'D: MZIELINSKI 2020/08/28 APPR: BWOODMAN 2020/09/08	
	4 PLACES ± ---- ± ---- 3 PLACES ± ---- ± ---- 2 PLACES ± ---- ± ---- 1 PLACE ± ---- ± ---- 0 PLACES ± ---- ± ----		INITIAL REVISION: DRWN: RSTONE 2020/05/08 APPR: BWOODMAN 2020/05/14	
	ANGULAR TOL ± ---- ° DRAFT WHERE APPLICABLE MUST REMAIN WITHIN DIMENSIONS		THIRD ANGLE PROJECTION DRAWING: C-SIZE SERIES: 130039	
DOCUMENT NUMBER: 1300390341 MATERIAL NUMBER: SEE P/N CHART		DOC TYPE: PSD DOC PART: 000 REVISION: B		
SHEET NUMBER: 1 OF 1				

**molex**

MINI-CHANGE 5P TEE WITH MIC DROP  
DEVICE-NET

PRODUCT CUSTOMER DRAWING