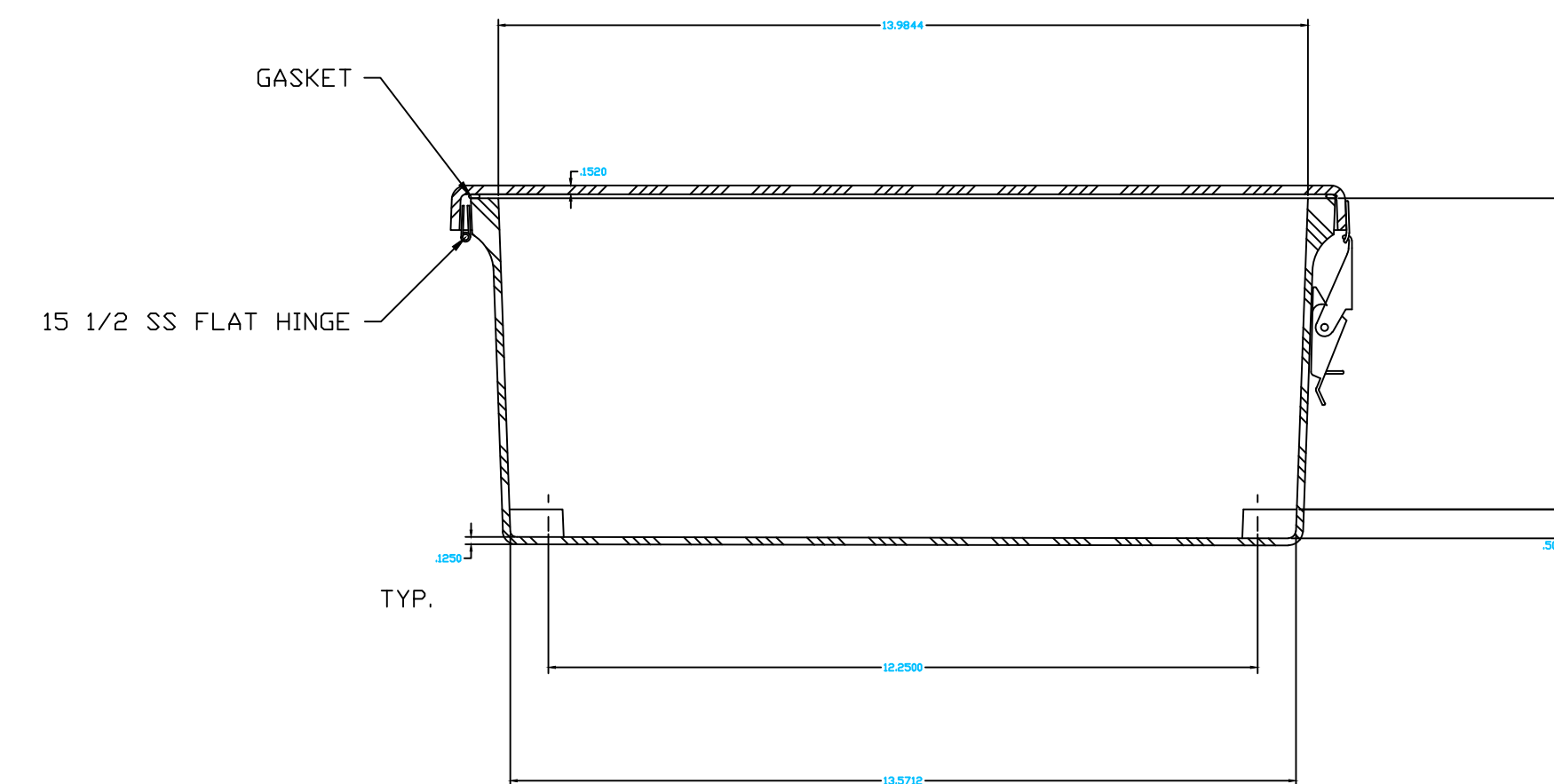
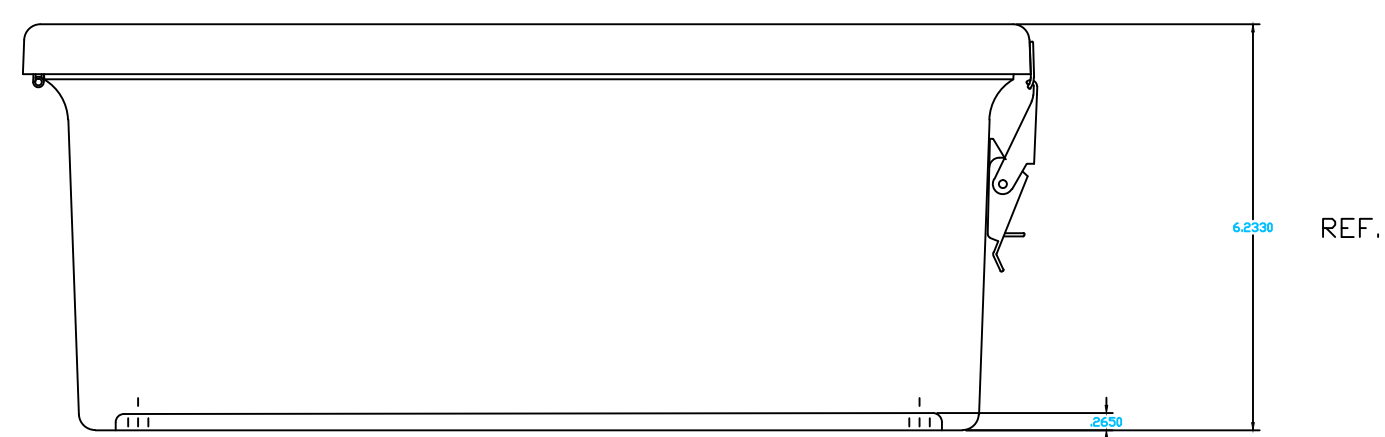



SECTION B-B



SECTION A-A

NOTES:

UL RATING 4X, 6P		TOLERANCES UNLESS SPECIFIED		DECIMAL ±.010	FRACTIONAL ± 1/32
COLOR GLACIER GRAY RR1013					
MATERIAL	F.R. POLYESTER FIBERGLASS	DR. BY	GF	DATE	9/13/05
LET.	REVISION RECORD	DATE	BY	CHK. BY	CHD.
				APD. BY	DATE
		SCALE		PART NAME	PART NO.
		DO NOT SCALE		ENCLOSURE	J1614HPL



**STAHLIN**  
ENCLOSURES  
DIVISION OF ROBBY INDUSTRIES

BELDING, MICHIGAN  
48809

AutoCAD DWG. FILE  
J1614HPL