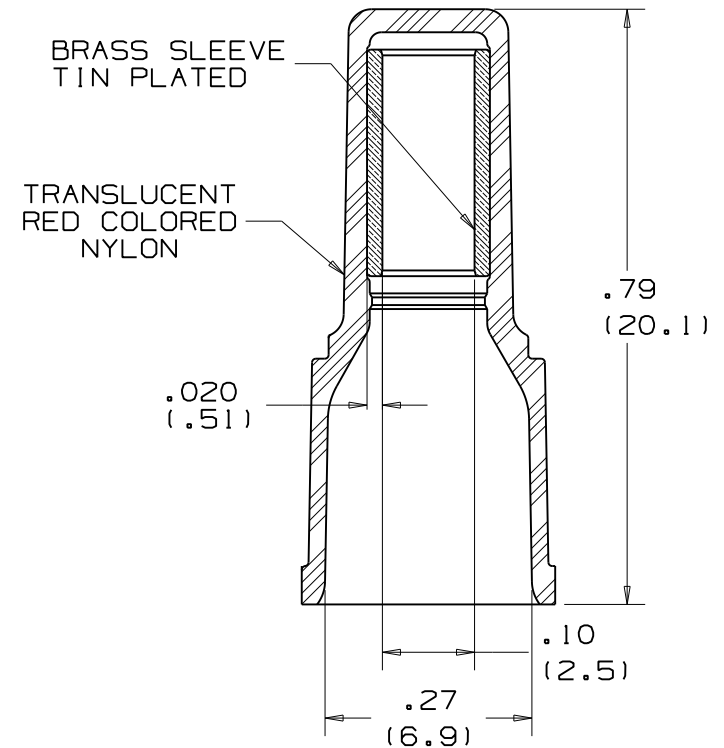


THIS COPY IS PROVIDED ON A RESTRICTED BASIS AND IS NOT TO BE USED IN ANY WAY DETRIMENTAL TO THE INTERESTS OF PANDUIT CORP.

WIRE SIZE	NUMBER OF WIRES	NUMBER OF ADDITIONAL WIRES OF ONE SIZE					
		#24	#22	#20	#18	#16	#14
#24	1	1-10	1-6	1-4	1 OR 2	1	1
	2	1-9	1-5	1-3	1 OR 2	1	1
	3	1-8	1-4	1 OR 2	1 OR 2	1	0
	4	1-7	1-4	1 OR 2	1	1	0
	5	1-6	1-3	1	1	0	0
	6	1-5	1-3	1	0	0	0
	7	1-4	1 OR 2	0	0	0	0
#22	1	1-10	1-5	1-4	1 OR 2	1	1
	2	1-8	1-4	1-3	1 OR 2	1	0
	3	1-6	1-3	1 OR 2	1	1	0
	4	1-4	1 OR 2	1	1	0	0
	5	1 OR 2	1	1	0	0	0
#20	1	1-6	1-4	1-4	1 OR 2	1	1
	2	1-4	1-3	1-3	1 OR 2	1	0
	3	1 OR 2	1 OR 2	1 OR 2	1	0	0
	4	1	1	1	0	0	0
#18	1	1-5	1-4	1-3	1 OR 2	1	0
	2	1-3	1 OR 2	1 OR 2	1	0	0
#16	1	1-4	1-3	1 OR 2	1	1	0
#14	1	1 OR 2	1	1	0	0	0

- USED FOR:
 - 600V MAX BUILDING WIRE, 1000V. MAX IN SIGNS, FIXTURES, AND LUMINAIRES
 - 221°F (105°C) MAX TEMP RATING
 - FOR SOLID OR STRANDED COPPER WIRE
 - SEE CHART FOR WIRE COMBINATIONS
 - WIRE COMBINATIONS USING #24 AWG WIRE ARE NOT UL LISTED OR CSA CERTIFIED
- SEE www.panduit.com FOR PART NUMBER SUFFIX DESIGNATION FOR PACKAGE SIZE.
- DIMENSIONS IN BRACKETS ARE IN MILLIMETERS OR mm²
- INSTALLATION TOOLS:
 - UL LISTED: CT-500, CT-1550, CT1551
 - CSA CERTIFIED: CT-500
 - PANDUIT APPROVED: CT-100, CT-160, CT-250, CT-260, CT-400, CT-550



LISTED
587H
E52164

CERTIFIED
LR31212

PANDUIT

CORP.

TINLEY PARK, ILLINOIS

NYLON INSULATED WIRE JOINT
JN224-318

05 8/11 SHOR

MODIFIED NOTE #2

REV DATE BY DESCRIPTION

DRAWN BY TSM CHK'D TRS SCALE NONE DRAWING NO A41341