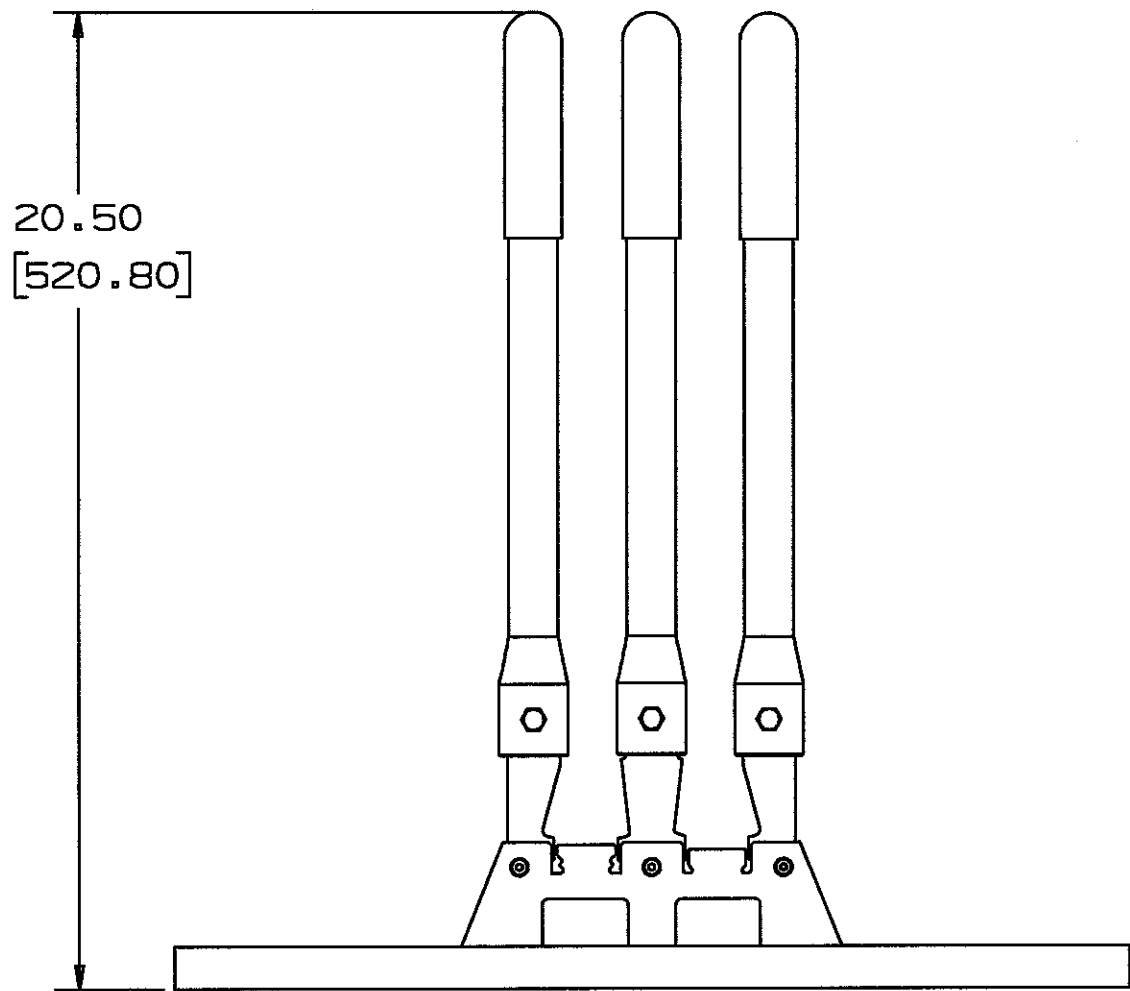
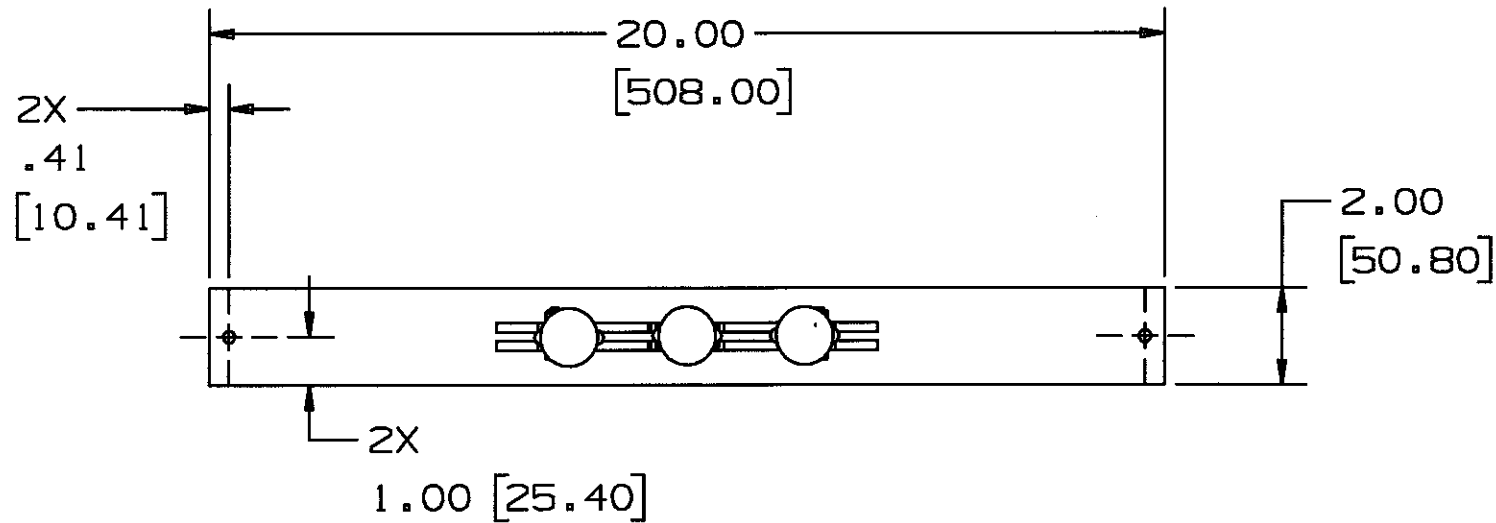
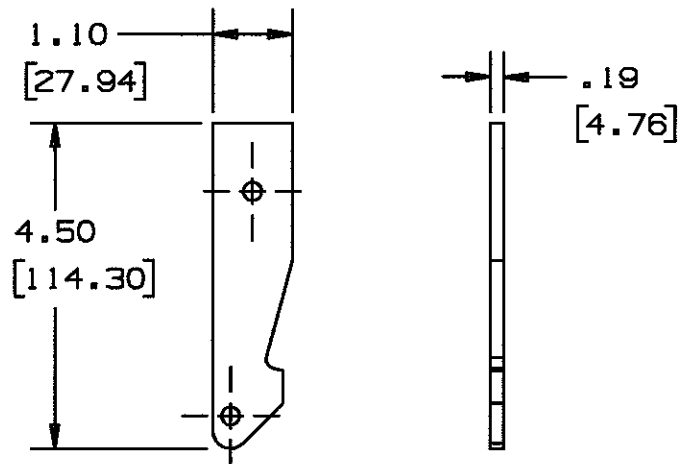


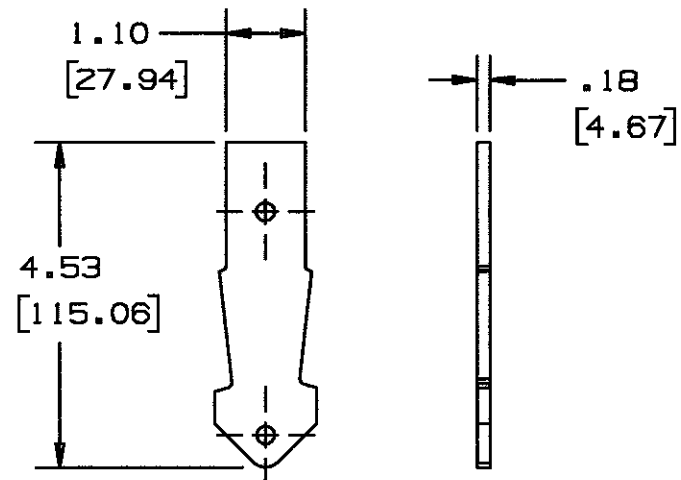
M-10380 1



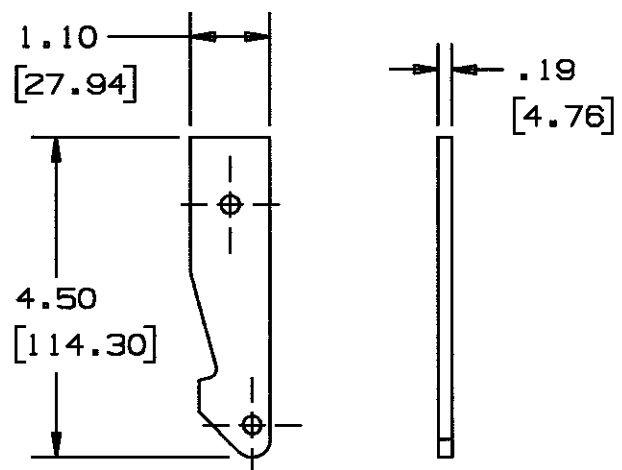
RACEWAY CUTTER  
CAT. NO. HBL620C



REPLACEMENT  
BLADE, COVER  
CAT. NO. HBL620BCK



REPLACEMENT  
BLADE, CENTER  
CAT. NO. HBL620BCK



REPLACEMENT  
BLADE, BASE  
CAT. NO. HBL620BCK

LIST OF PARTS

DESCRIPTION	MATERIAL	FINISH
CUTTER	STEEL	PAINTED
CUTTER BLADES	STEEL	

DIMENSION SHEET FOR CAT. NO. M-10380  
 SEE TABLE  
 REPAIRABLE  NON-REPAIRABLE   
 B  
 M-10380  
 1

1	RELEASED PER DCN13549	11/14/06
SYM	REVISIONS	APP DATE

THE DESIGN AND DIMENSIONS OF THE PRODUCT SHOWN ON THIS DRAWING ARE SUBJECT TO CHANGE WITHOUT NOTICE

TITLE  
RACEWAY CUTTER  
HBL2000 SERIES

TOLERANCES UNLESS OTHERWISE SPECIFIED FRACTIONS ± 1/64 DECIMALS ± .005 ANGLES ± 2°	WIRING DEVICE-KELLEMS HUBBELL INCORPORATED BRIDGEPORT, CT	
	DR. BY SRE	APP. BY <i>[Signature]</i>
	TR. BY <i>[Signature]</i>	SCALE 1:1
	CHK'D BY <i>[Signature]</i>	DATE 11/14/06

NOTE: ALL DIMENSIONS IN INCHES AND [MM]