



MR16/GU10/PAR16 LED

7MR16/LED/S15/830/DIM AF2 10/1

Philips MR16 Dimmable LED Lamps provide ambient level light to illuminate hard to maintain applications. Increased transformer compatibility allows for operation on a wider range of transformers. Available in dimmable and non-dimmable versions, these lamps are ideal for track and open recessed fixtures in retail, hospitality and residential spaces.

Product data

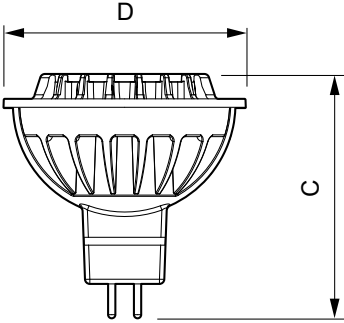
General Information		Lamp Current (Nom)	
Cap-Base	GU5.3 [GU5.3]	Lamp Current (Nom)	720 mA
Nominal Lifetime (Nom)	40000 h	Wattage Equivalent	35 W
Switching Cycle	50000X	Starting Time (Nom)	0.5 s
Technical Type	7-35W	Warm Up Time to 60% Light (Nom)	1 s
		Power Factor (Nom)	0.7
		Voltage (Nom)	12 V
Light Technical		Temperature	
Color Code	930 [CCT of 3000K]	T-Case Maximum (Nom)	92 °C
Beam Angle (Nom)	15 °		
Light Distribution	15D [Narrow beam]	Controls and Dimming	
Initial lumen (Nom)	500 lm	Dimmable	Yes
Luminous Intensity (Nom)	2950 cd		
Color Designation	White (WH)	Approval and Application	
Rated Beam Angle	15 °	Energy star mark	Energy star
Correlated Color Temperature (Nom)	3000 K	Energy Saving Product	Yes
Luminous Efficacy (Rated) (Nom)	58.57 lm/W	Suitable For Accent Lighting	Yes
Color Consistency	<6	Energy Efficiency Label (EEL)	Not applicable
Color Rendering Index (Nom)	90	Energy Consumption kWh/1000 h	8 kWh
LLMF At End Of Nominal Lifetime (Nom)	70 %		
Luminous Flux in 90° Cone (Rated)	410 lm	Product Data	
Operating and Electrical		Order product name	7MR16/LED/S15/830/DIM AF2 10/1
Power (Rated) (Nom)	7 W	EAN/UPC - Product	046677461539

MR16/GU10/PAR16 LED

Order code	461533
Numerator - Quantity Per Pack	1
Numerator - Packs per outer box	10
Material Nr. (12NC)	929001152634

Net Weight (Piece)	0.045 kg
--------------------	----------

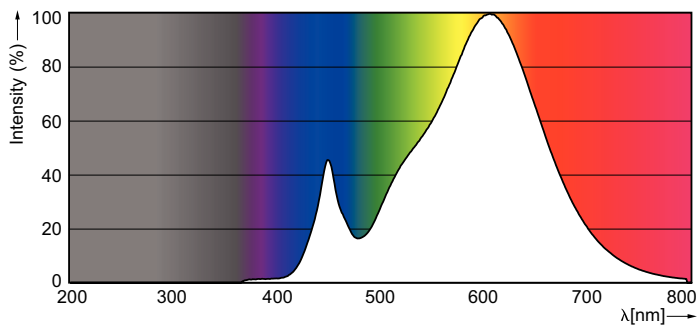
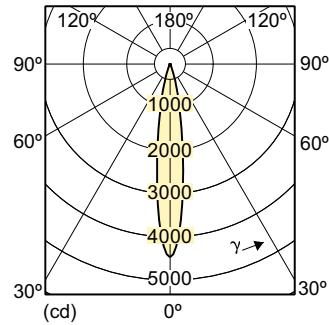
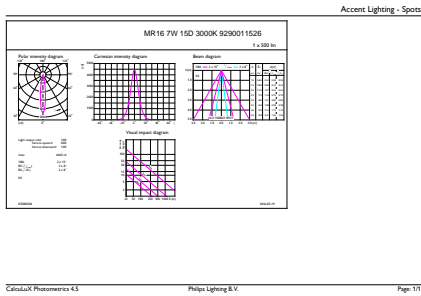
Dimensional drawing



MR16 12V 7W-35W 400lm 15D 3000K Gu5.3 D

Product	D	C
7MR16/LED/S15/830/DIM AF2 10/1	51 mm	51 mm

Photometric data



8-50 W GU5.3 /830 MR16

MR16/GU10/PAR16 LED

