

AEGIS series line filters and surge protectors



Electronic equipment protection for reliable operations

Introduction

AEGIS delivers a higher level of system protection

Eaton AEGIS™ series line filters and surge protectors are specifically designed to protect sensitive electronics from hazards that exist within a facility. The AEGIS series hybrid filter reacts instantly to changes in voltage regardless of phase angle or polarity. In comparison to other line filters, this technology provides a higher level of suppression, reliability, and life expectancy.

Increasing importance of surge protection and line filtering

PLC manufacturers and service technicians recommend the use of power line filters and surge suppressors to prevent downtime and equipment damage due to surges and electrical line noise. Studies have shown that failure to protect sensitive electronic loads costs American manufacturing and commercial and service industries over \$39 billion per year in lost time and revenue. Preventing these losses is a major cost-saving opportunity.

Features, benefits, and functions

AEGIS series line filters and surge protectors protect against the full spectrum of transient disturbances and are engineered to filter the entire sine wave. As a result, AEGIS devices are effective against both low- and high-energy transients to prevent immediate equipment damage and microprocessor failure over time.

- Compact design with multiple mounting options
- Meets new UL® safety standards for surge and filtering protection
- A range of surge current capacity ratings for a variety of applications
- Range of models with different levels of filtering, allowing flexibility for each application
- Contains no replaceable parts or items that require periodic maintenance

EAT•N

Powering Business Worldwide

Applications

By providing surge protection and line filtering, AEGIS devices can suppress the noise and transients prevalent throughout the power distribution system to support reliable operations in applications including:

- Instrumentation
- Water treatment facilities
- Pulp and paper operations
- Refrigeration and heating plants
- Petrochemical and refinery installations
- Food processing
- Textiles
- Automotive assembly
- Manufacturing operations

No matter where transients originate, the application of AEGIS series devices throughout a facility will help protect sensitive electronic equipment including:

- Programmable logic controllers (PLCs)
- Scanning devices
- Automatic teller machines (ATMs)
- Cash registers
- Alarm systems
- Microprocessor-controlled
- OEM products
- Robotics
- CAD/CAM systems
- Control equipment
- Medical electronics and devices

AEGIS series devices are available in common voltages and configurations, and also in a variety of surge current capacity ratings from 20 to 80 kA at 120 Vac.

Standards and certifications

- UL 1449 4th Edition
- UL 1283 7th Edition
- CSA C22.2 No. 269.4-17
- CSA C22.2 No. 8-13
- RoHS compliant
- IEC 61000-4.5
- Built in an ISO® 9001 facility
- Designed and tested in accordance with:
 - IEEE® C62.41.1
 - IEEE C62.41.2
 - IEEE C62.43
 - IEEE C62.45
 - IEEE C62.48
 - IEEE C62.62

Feature package options

AEGIS PH and PV

The AEGIS series PH and PV devices are the high-performance line filters in the new line, offering the best EMI/RFI filtering and lowest VPR ratings.

The AEGIS series PH and PV devices can be used where:

- The lowest let-through voltage (VPR) is desired
- The best filtering of electromagnetic interference (EMI) and radio frequency interference (RFI) is needed
- The longest equipment life and lowest maintenance cost is required
- The value of the equipment protected or process controlled is highest
- 120 or 240 Vac circuits up to 20 A are to be protected

Technical data

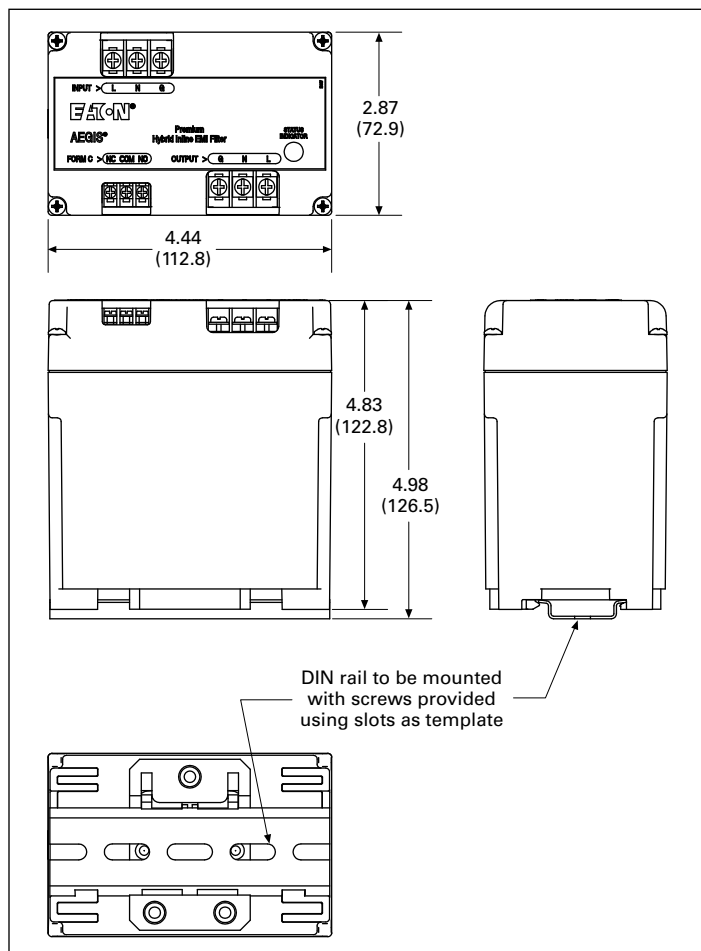


Figure 1. AGPHxxxx dimensions

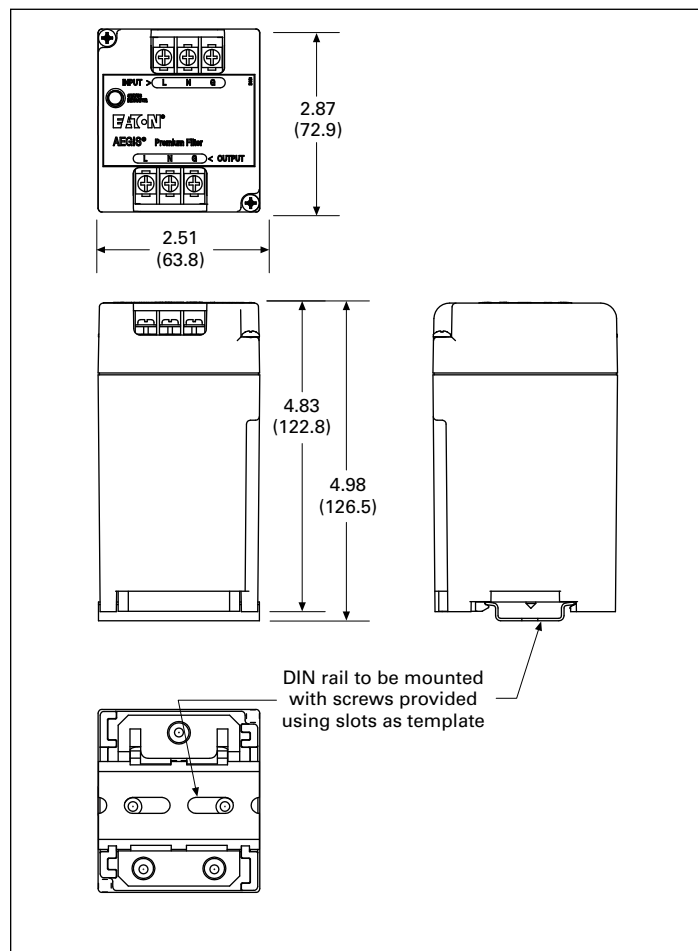


Figure 2. AGPVxxxx dimensions

Table 1. AEGIS PH and PV specifications

	PH 120 Vac	PH 240 Vac	PV 120 Vac	PV 240 Vac
Specification	3, 5, 10, 15, 20 A	3, 5, 10, 15, 20 A	1, 3, 5 A	1, 3, 5 A
DIN mounting	Yes	Yes	Yes	Yes
UL 1283 7th Edition and UL 1449 4th Edition	Yes	Yes	Yes	Yes
RoHS compliant	Yes	Yes	Yes	Yes
Filtering	Yes	Yes	Yes	Yes
EMI/RFI filtering attenuation at 100 kHz	75 dB	75 dB	50 dB	50 dB
L-G, L-N, and N-G protection modes	Yes	Yes	Yes	Yes
Peak kA per phase/mode	60/30	60/30	40/20	40/20
UL nominal discharge current (I _n)	5 kA	5 kA	5 kA	5 kA
UL voltage protection rating (VPR) L-G / L-N / N-G	330/400/330	600/700/600	330/400/330	600/700/600
MCOV	150	275	150	275
Short-circuit current rating (SCCR)	5 kA	5 kA	5 kA	5 kA
Alarm contacts	Yes	Yes	No	No
Warranty (years) Ⓢ	15	15	15	15
Communication line protection (UL 497A)	No	No	No	No

Ⓢ With product registration.

AEGIS CF

The AEGIS series CF devices provide the widest current ratings with line filtering and surge protection, and are available with optional communication line protection and status contacts.

The AEGIS CF can be used where:

- Higher kA of protection is required
- Good filtering of electromagnetic interference (EMI) and radio frequency interference (RFI) is desired
- Communication line protection is needed
- 120/230/240 Vac or 24/48 Vdc circuits up to 60 A are to be protected

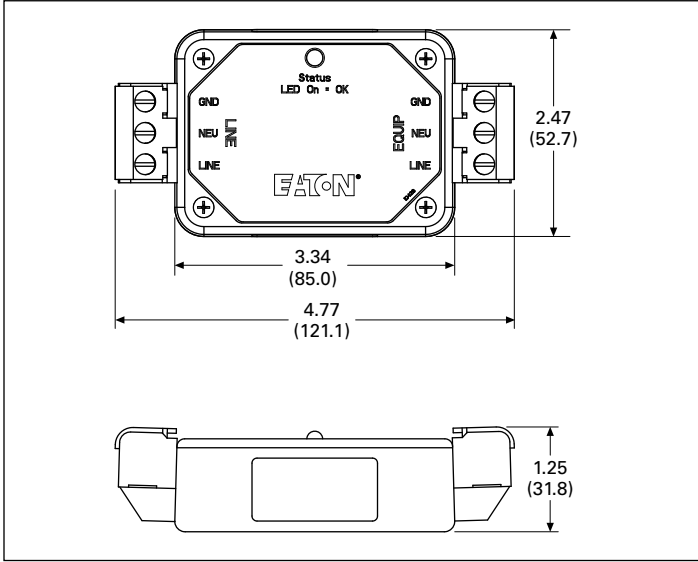


Figure 3. AGCF12010-CP dimensions

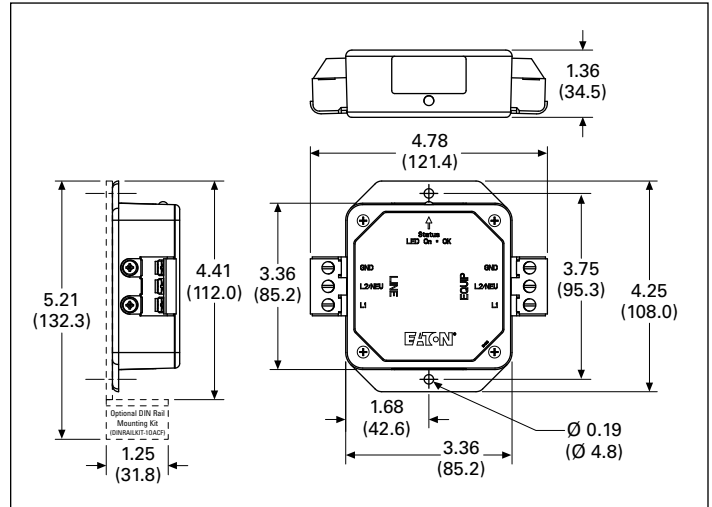


Figure 4. xxCFFxxx10 dimensions

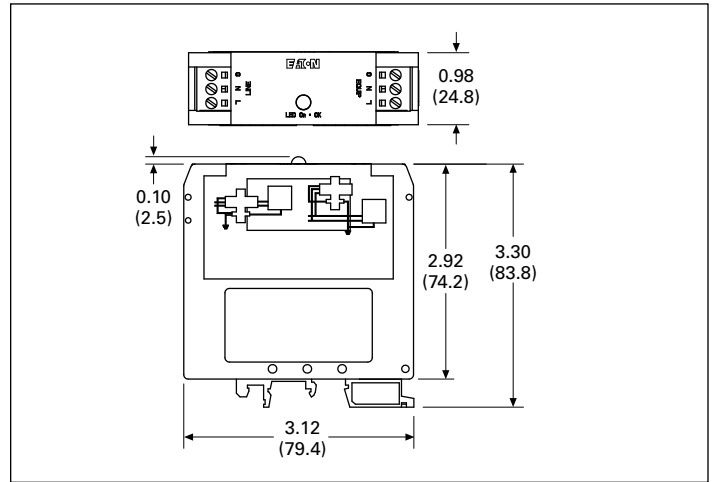


Figure 5. AGCFxxx10-DIN and AGCFxxx10-DIN2 dimensions

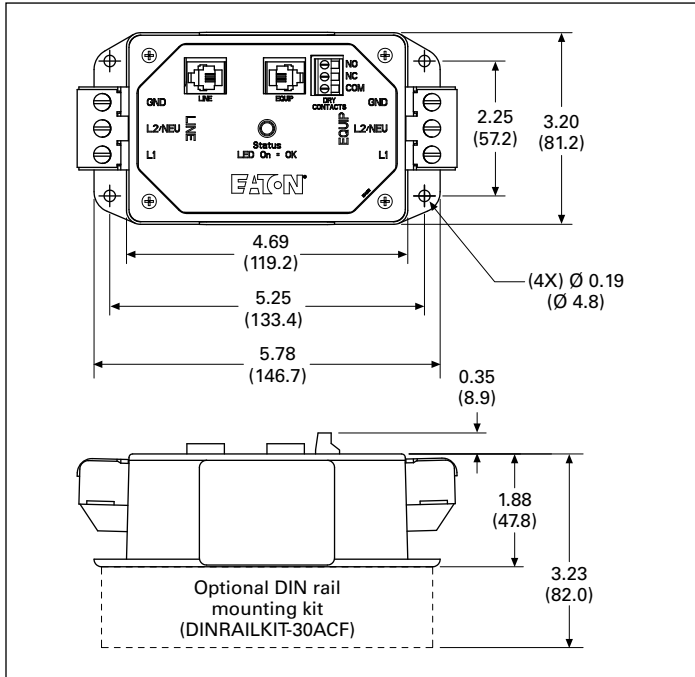


Figure 6. AGCFxxx15 and AGCFxxx30 dimensions

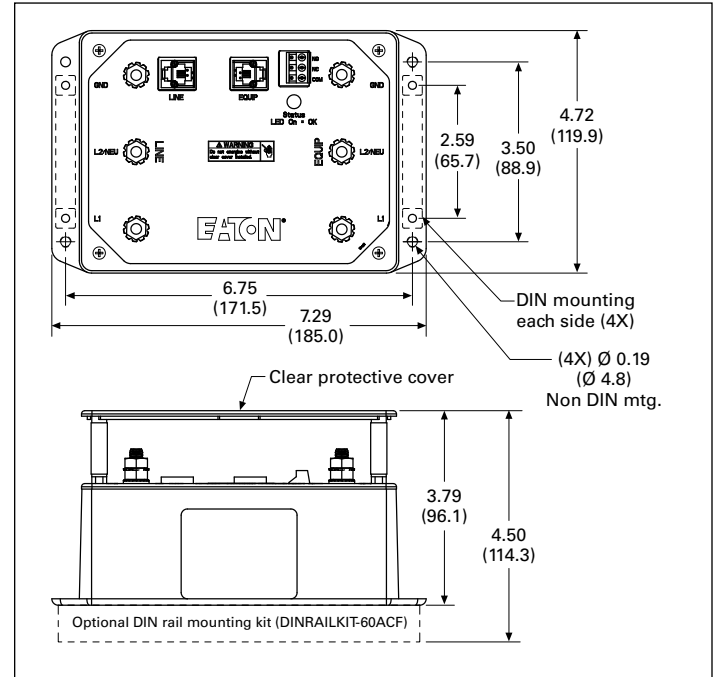


Figure 7. AGCFxxx60 dimensions

Table 2. AEGIS CF specifications

Specifications	CF 24 Vdc		CF 48 Vdc		CF 120 Vac				CF 230 Vac		CF 240 Vac
	10 A	10 A	10 A	10 A	10 A	10 A	30 A	60 A	15 A	30 A	10 A
DIN mounting	Yes	No	Yes	No	Yes	No	Yes ①	Yes ①	Yes ①	Yes ①	Yes
UL 1283 7th Edition and UL 1449 4th Edition	—	—	—	—	Yes	Yes	Yes	Yes	Yes	Yes	Yes
RoHS compliant	—	—	—	—	Yes	Yes	Yes	Yes	Yes	Yes	Yes
IEC 61000-4.5	Yes	Yes	Yes	Yes	Yes	Yes	Yes	Yes	—	—	Yes
Filtering	Yes	Yes	Yes	Yes	Yes	Yes	Yes	Yes	—	Yes	Yes
EMI/RFI filtering attenuation at 100 kHz	40 dB	40 dB	40 dB	40 dB	40 dB	40 dB	40 dB	40 dB	40 dB	40 dB	40 dB
L–G, L–N, and N–G protection modes	Yes	Yes	Yes	Yes	Yes	Yes	Yes	Yes	Yes	Yes	Yes
Peak kA per phase/mode	6/2	6/2	20/6	20/6	30/10	40/20	80/40	80/40	120/60	120/60	30/10
UL nominal discharge current (I _n)	N/A	N/A	N/A	N/A	3 kA	5 kA	5 kA	5 kA	3 kA	3 kA	3 kA
UL voltage protection rating (VPR) L–G / L–N / N–G	N/A	N/A	N/A	N/A	500/500/500	500/500/500	500/500/500	500/500/500	800/800/800	800/800/800	990/980/960
MCOV	30	30	50	50	150	150	150	150	275	275	275
Short-circuit current rating (SCCR)	10 kA	10 kA	10 kA	10 kA	10 kA	10 kA	10 kA	10 kA	10 kA	10 kA	N/A
Alarm contacts	No	No	No	No	No	No	Yes ①	Yes ①	No	Yes ①	No
Warranty (years) ②	10	10	10	10	10	10	10	10	10	10	10
Communication line protection (UL 497A)	No	No	No	No	No	No	Yes ①	Yes ①	No	Yes ①	No

① Optional.

② With product registration.

AEGIS CN

The AEGIS CN series provides low-cost surge protection in a compact package.

The AEGIS CN can be used where:

- Only surge and transient voltage protection is needed
- 120/230 Vac or 24/48 Vdc circuits up to 30 A are to be protected

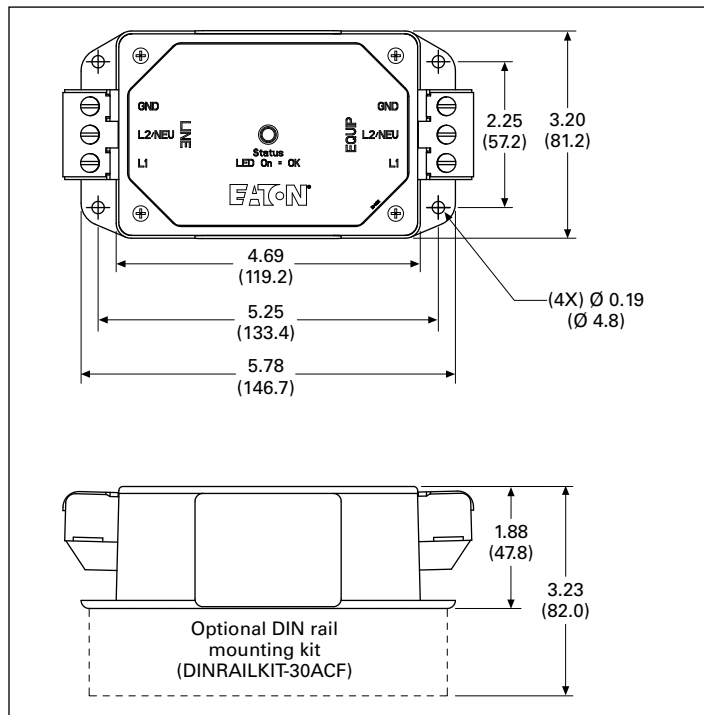


Figure 8. AGCNxxx30 dimensions

Table 3. AEGIS CN specifications

	24 Vdc	48 Vdc	120 Vac	230 Vac
Specifications	30 A	30 A	30 A	30 A
DIN mounting	Yes ①	Yes ①	Yes ①	Yes ①
UL 1449 4th Edition	—	—	Yes	Yes
Filtering	No	No	No	No
L-G, L-N, and N-G protection modes	Yes	Yes	Yes	Yes
Peak kA per phase/mode	20/6	46/20	80/40	80/40
UL nominal discharge current (I _n)	N/A	N/A	5 kA	3 kA
UL voltage protection rating (VPR) L-G / L-N / N-G	N/A	N/A	500/500/500	800/800/800
MCOV	30	50	150	275
Short-circuit current rating (SCCR)	10 kA	10 kA	10 kA	10 kA
Alarm contacts	No	No	No	No
Warranty (years) ②	10	10	10	10
Communication line protection (UL 497A)	No	No	No	No

① Optional

② With product registration..

Performance data

- ANSI/UL 1449 4th Edition voltage protection ratings
- UL 1283 7th Edition electromagnetic interference filter ratings

Table 4. Specifications

Rating	AEGIS series			
	PH	PV	CF	CN
Application	Single-phase, two- or three-wire grounded systems	Single-phase, two- or three-wire grounded systems	Single-phase, two- or three-wire grounded systems	Single-phase, two- or three-wire grounded systems
Input voltage range—AC	100–127 Vac, 200–240 Vac	100–127 Vac, 200–240 Vac	100–127 Vac, 200–240 Vac ①	100–127 Vac, 200–230 Vac ①
Input voltage range—DC	N/A	N/A	5–38 Vdc, 24–65 Vdc, 48–149 Vdc, 150–300 Vdc	5–38 Vdc, 24–65 Vdc, 48–149 Vdc, 150–300 Vdc
Amperage	3, 5, 10, 15, and 20 A	1, 3, and 5 A	10, 15, 30, and 60 A	30 A
Frequency	50/60 Hz	50/60 Hz	50/60 Hz	50/60 Hz
Protection modes	L–N, L–G, and N–G	L–N, L–G, and N–G	L–N, L–G, and N–G	L–N, L–G, and N–G
MCOV	150 V and 275 V	150 V and 275 V	150 V and 275 V	150 V and 275 V
Noise attenuation (normal mode)	74 dB at 100 kHz	56 dB at 100 kHz	48 dB at 100 kHz	N/A
Filter bandwidth	10 kHz to 100 MHz	10 kHz to 100 MHz	10 kHz to 100 MHz	N/A
Peak surge current per phase / per mode	60 kA / 30 kA	40 kA / 20 kA	Up to 120 kA / 60 kA	Up to 80 kA / 40 kA
Operating temperature	–40 °F to +122 °F (–40 °C to +50 °C)	–40 °F to +122 °F (–40 °C to +50 °C)	–40 °F to +140 °F (–40 °C to +60 °C)	–40 °F to +140 °F (–40 °C to +60 °C)
Response time	<1 nanosecond	<1 nanosecond	<1 nanosecond	<1 nanosecond
Agency approvals	UL 1449 4th Edition, UL 1283 7th Edition and CSA C22.2 No 269.4-17 and No 8-13	UL 1449 4th Edition, UL 1283 7th Edition and CSA C22.2 No 269.4-17 and No 8-13	xxCF230xx UL 1283 7th Edition, EMI filter xxCF120xx UL 1449 4th Edition, UL 1283 7th Edition xxCFxxx10-DIN2 UL 1449 4th Edition, IEC 61000-4.5	xxCNxxx30 UL 1449, UL 1283 7th Edition, EMI filter xxCN12030 UL 1449 4th Edition xxCFxxx10-DIN2 UL 1449 4th Edition, IEC61000-4.5
UL 1449 Type	Type 2	Type 2	Type 2	Type 2
Warranty ②	15 years	15 years	10 years	10 years
Status indicator	LED	LED	LED	LED
Form C contacts	Yes	No	Yes ④	No
Communication line protection (UL 497A)	No	No	Optional	No
External circuit breaker ③	Eaton P/N: FAZ-C25/1-NA-SP or equiv. 25 A circuit breaker	Eaton P/N: FAZ-C7/1-NA-SP or equiv. 7 A circuit breaker	15 A—Eaton P/N: FAZ-C15/1-NA-SP or equiv. 15 A circuit breaker 30 A—Eaton P/N: FAZ-C40/1-NA-SP or equiv. 40 A circuit breaker 60 A—Eaton P/N: EGC3100FFG or equiv. 100 A circuit breaker	Eaton P/N: FAZ-C40/1-NA-SP or equiv. 40 A circuit breaker

① Voltage rating of 240 Vac applies to CF24010-DIN2 unit only. Voltage rating of 230 Vac applies to 15 and 30 A units.

② With product registration.

③ External circuit breaker sold separately.

④ Optional on 30 A and 60 A models only.

Table 5. Let-through voltages based on IEEE Std. C62.62-2010 testing waveforms ①

Test Impulse	AEGIS series							
	xxPH120xx	xxPV120xx	xxCF12010	xxCF12010-DIN	xxCF12010-CP	xxCF12030xxx	xxCF12060xxx	xxCN12030
IEEE Category A 100 kHz ring wave 6000 V, 200 A	25 V	30 V	150 V	300 V	300 V	150 V	90 V	400 V
IEEE Category B 100 kHz ring wave 6000 V, 500 A	35 V	40 V	330 V	400 V	400 V	330 V	230 V	500 V
IEEE Category B combination wave 6000 V, 3000 A (UL 1449-3 VPR)	360 V	370 V	470 V	480 V	460 V	460 V	450 V	460 V

① All tests conducted on 120 Vac units

Product selection

Table 6. Catalog numbering system

Product family/OEM	Protection/filtering	Voltage	Amperage	Options	
AG	PH = Premium protection with hybrid filtering	120 = 120 Vac	03 = 3 A		
		240 = 240 Vac	05 = 5 A		
	PV = Premium protection with filtering	120 = 120 Vac	10 = 10 A	01 = 1 A	
		240 = 240 Vac	15 = 15 A	03 = 3 A	
	CF = Critical protection with filtering	120 = 120 Vac	240 = 240 Vac	10 = 10 A	DIN2 = DIN2 mount (10-inch wide)
					CP = Compact ①
		024 = 24 Vdc	10 = 10 A	DIN = DIN mount (2.5-inch wide)	
		048 = 48 Vdc		Optional DIN mount kit DINRAILKIT-30ACF	
		120 = 120 Vac	230 = 230 Vac	30 = 30 A	RJ = Telcom protection and Form C status contacts
					Optional DIN mount kit DINRAILKIT-30ACF
	120 = 120 Vac	230 = 230 Vac	30 = 30 A	RJ = Telcom protection and Form C status contacts	
				Optional DIN mount kit DINRAILKIT-30ACF	
	CN = Critical protection without filtering	120 = 120 Vac	30 = 30 A		
		230 = 230 Vac			
024 = 24 Vdc					
048 = 48 Vdc					

① Only available in the 10 A, 120 Vac CF version.

② Only available in the 120 Vac version.

Technical support information

If you have any questions or need additional information, please contact the Eaton Technical Resource Center at 800-809-2772, option 4, option 2, or go to www.eaton.com/aegis. You may also submit inquiries via email to spd@eaton.com.

Eaton
1000 Eaton Boulevard
Cleveland, OH 44122
United States
Eaton.com

© 2018 Eaton
All Rights Reserved
Printed in USA
Publication No. TD158002EN / Z21476
September 2018



Eaton is a registered trademark.

All other trademarks are property of their respective owners.