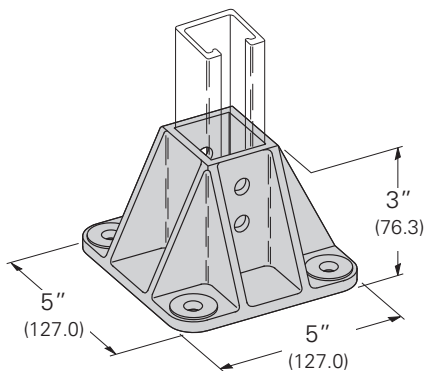


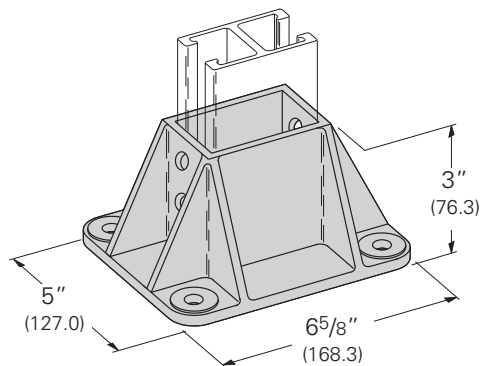
BFV280SQ Post Base for BF*22

- Material: Glass Reinforced Polyurethane



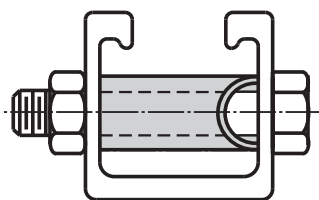
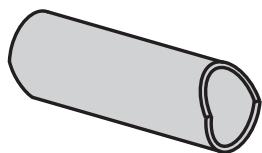
BFV281SQ Post Base for BF*22A

- Material: Glass Reinforced Polyurethane



BFV650 Channel Spacer

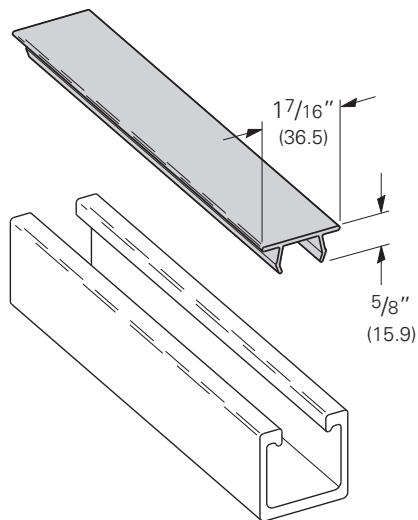
- Spacer I.D. accommodates 3/8" rod or bolts.
- Material: Polyurethane



Used when attaching fittings to side walls of channel. This channel spacer prevents wall compression in heavy load conditions.

B217P Plastic Closure Strip

- Available in 10 Ft. (3.05 m) lengths.
- Material: PVC



Reference page 183 for general fitting specifications.