

Issue Date: 10/25/2012

Page: 1 of 2

File: PSS-755LR-W0X

35kV	600A Deadbreak Elbow	w/o Test Point	755LR-W0X
------	----------------------	----------------	-----------



Features:

- Fully rated 35kV, 600 Amp Deadbreak Elbow
- Fully shielded, fully submersible molded rubber housing
- 100% peroxide-cured construction includes insulation and conductive EPDM materials
- Can be easily connected or disconnected using standard hand tools and equipment in a de-energized state
- Optional accessories allow visible external separation, by-pass, isolation, dead-ending, grounding, and testing as well as adding taps, surge arrestors, and fault current indicators

755LR Elbow Connector (without Test Point)

Applications:

The Elastimold® 755LR (without test point) is designed to provide fully shielded, dead-front submersible cable connections to high-voltage apparatus. The 755LR can be used through 35kV with conductor range from #2 AWG to 1250 kcmil for aluminum and copper conductors and insulation diameters from .760" to 2.120". When used on metallic tape shield or drain wire cable, an ECS cable seal grounding device is recommended.

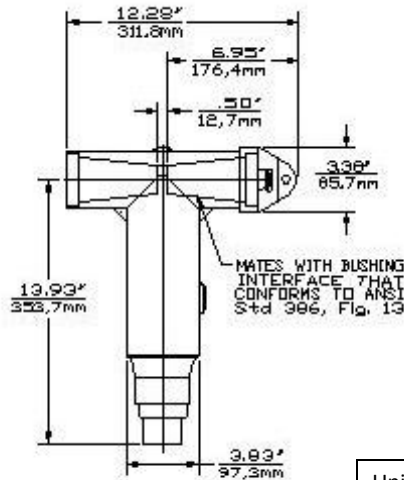
Ratings:

Meets ANSI/IEEE Standard 386, Latest Revision

For 35kV Voltage Class:

21.1kV Max Phase-to-Ground – Operating Voltage
 36.6kV Max Phase-to-Phase
 150kV BIL – Impulse Withstand (1.2 x 50 microsecond wave)
 50kV AC – One minute withstand
 103kV DC – 15 minutes withstand
 26kV AC – Corona Extinction @ 3pC sensitivity
 600 Amp – Continuous
 25kA Sym – 10 Cycles Momentary

35kV	600A Deadbreak Elbow	w/o Test Point	755LR-W0X
------	-----------------------------	----------------	------------------



Step 1 (W)

Determine the insulation diameter of the cable.

Select the insulation letter code that best straddles the insulation diameter from W table below. Insert code into catalog number.

Step 2

Choose the proper connector material type and insert it into the catalog number.

Step 3 (X)

Choose the proper compression lug code according to the conductor size from the Conductor Code Table. Insert code into catalog number.

Example:

The ordering number for a 600 Amp Elbow Connector for a 4/0 compressed, 345 mil wall cable with an insulation diameter of 1.195" to 1.295" is 755LR-K0270.

755LR -

Universal Al	0
CU	2
Bi-metal	5

W Code

XXX Code

Cable Insulation Diameter in inches		Cable Insulation Diameter in millimeters		Symbol for W
MIN.	MAX.	MIN.	MAX.	
0.760	0.950	19.304	24.130	G
0.850	1.050	21.590	26.670	H
0.980	1.180	24.892	29.972	J
1.090	1.310	27.686	33.274	K
1.180	1.465	29.972	37.211	L
1.280	1.430	32.512	36.322	LM
1.370	1.630	34.798	41.402	M
1.515	1.780	38.481	45.212	N
1.725	1.935	43.815	49.149	P
1.900	2.120	48.260	53.848	Q

X Code	AWG or kcmil		mm2	Connector Only		
	Strand./Compr.	Solid/Compact	Compact	Universal Aluminum	Copper	Bi-metal
210	-	2	-	03700210	03702210	03705210
220	2	1	35	03700220	03702220	03705220
230	1	1/0	50	03700230	03702230	03705230
240	1/0	2/0	-	03700240	03702240	03705240
250	2/0	3/0	70	03700250	03702250	03705250
260	3/0	4/0	95	03700260	03702260	03705260
270	4/0	250	125	03700270	03702270	03705270
280	250	300	-	03700280	03702280	03705280
290	300	350	150	03700290	03702290	03705290
300	350	400	185	03700300	03702300	03705300
310	400	450	240	03700310	03702310	03705310
320	450	500/550	-	03700320	03702320	03705320
330	500	600	250/300	03700330	03702330	03705330
350	600	700	-	03700350	03702350	03705350
360	650	750	400	03700360	03702360	03705360
380	700/750	900	-	03700380	03702380	03705380
390	800	-	-	03700390	03702390	03705390
400	900	1000	500	03700400	03702400	03705400
410	1000	-	-	03700410	03702410	03705410
420	-	1250	-	03700420	03702420	03705420
440	1250	-	-	03700440	03702440	03705440

Each kit contains the following:

- | | |
|----------------------------|----------|
| 1 Elbow connector housing | 755BLR |
| 1 Copper compression lug | 03700XXX |
| 1 Stud | 750SA |
| 1 Insulated Plug w/ Cap | 750BIP |
| 3 Tube, lubricant | 82-08 |
| 1 Cable adapter | 755CA-W |
| 1 Installation Instruction | IS-0230 |
| 1 Installation Instruction | IS-0244 |
| 1 Crimp chart | CC-0050 |