



FOR USE WITH PANDUIT®
PANDUCT® 5" TALL
E and G WIRING DUCT

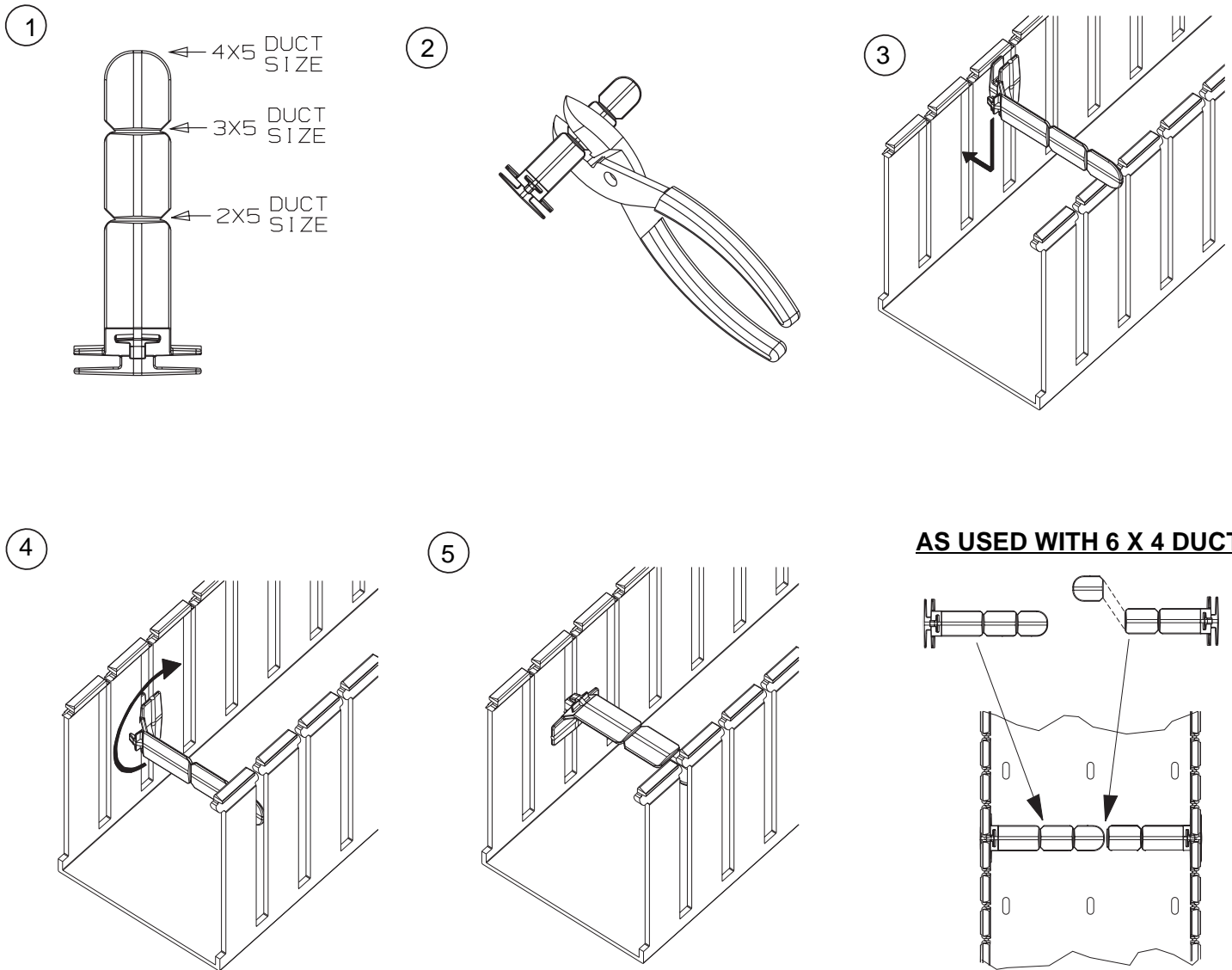
5" Wire Retainer

Part Number: WR5

INSTALLATION INSTRUCTIONS

©Panduit Corp. 1998

Made in U.S.A.



For Technical Assistance, call: 888-506-5400, Ext. 8287



17301 Ridgeland Avenue
Tinley Park, IL 60477-3091
Phone: 888-506-5400, Ext. 8287
FAX: 815-836-1811
WORLDWIDE SUBSIDIARIES AND SALES OFFICES

Instruction Sheet RW07B