

1. Introduction

The On-Q /Legrand Flush Mount Single Source Input, PN AU1004-xx (see **Figure 1**), is a wall mounted fixed version of the lyriQ™ Single Source Input Unit. It is a component which, when combined with other essential components and your source equipment receiver, CD player, etc, creates a versatile whole-house audio system that will fill your rooms with high-quality sound for years to come. The Category 5 technology utilized for whole house audio distribution with the lyriQ™ system provides many advantages over other conventional methods of audio distribution such as a low noise Category 5 wiring scheme, and infrared control of system components. The Flush Mount Single Source Input is available in white (-WH), light almond (-LA) and black (-BK).

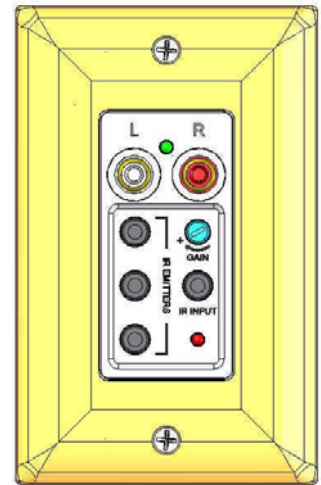


Figure 1

2. Description

The Flush Mount Single Source Input typically resides at the entertainment center and is connected to the enclosure mounted Audio Distribution Module using a single Category 5 cable run. This device receives line level analog stereo audio output from the audio source equipment being distributed. If your receiver does not have a dedicated line level or preamp output, use the tape monitor output. The Flush Mount Single Source Input provides RCA jacks for audio source equipment connection and an adjustable gain control to balance inputs in a multi-source application, or increase/decrease gain for a single input. The green LED indicates an active audio source. IR signal distribution is supported by three (3) IR Emitter Output ports (IR on Tip, no connection to Ring and Sleeve is grounded) and one (1) IR Target input port (+12V on Tip, IR on Ring and Sleeve is grounded). The IR Target input is routed only to the three Emitter outputs. A red LED is provided to indicate IR activity.

3. Installation

IMPORTANT: Read all technical information that is included with all associated lyriQ™ Audio products before installation of any single component! If you are unsure of any of the following installation procedures contact On-Q/Legrand Technical Support @ 1-800-321-2343 option 1 or contact an On-Q/Legrand installer.

NOTE: The Flush Mount Single Source Input, like other On-Q/Legrand lyriQ™ Audio system components, is powered by the On-Q/Legrand lyriQ™ Audio Distribution Module.

NOTE: To provide ultimate flexibility for future products, run two Category 5 cables from the Flush Mount Single Source Input to the lyriQ™ Single Source 4 Zone Distribution Module. Also, run a 16/4 speaker cable, along with the Category 5 cable, from the Single Source 4 Zone Distribution Module to each volume control location.

- A. Run a Category 5 cable from a low voltage bracket at the room location containing the Flush Mount Single Source Input (typically the entertainment center location) to the lyriQ™ 5 Audio Distribution Module located in the Enclosure.
- B. Make sure that the Power Supply is not connected to the Audio Distribution Module at this time.

INSTRUCTION/INSTALLATION SHEET FLUSHMOUNT SINGLE SOURCE INPUT

IS-0392 REV. O

- C. Pull the Category 5 cable out through the low voltage bracket and plug it into the RJ45 Cat 5e jack on the rear of the Flush Mount Single Source Input (see **Figure 2**). Then mount the Flush Mount Single Source Input into the low voltage bracket and cover with a wall plate. There is a jumper on the rear to select Knob or Keypad only volume control use.
- D. Connect a pair of RCA interconnect cables from the receiver/pre-amplifier line level output (2nd zone out, tape 1 out, tape 2 out, etc.) to the AUDIO IN jacks of the Flush Mount Single Source Input (see **Figure 3**). It is recommended that you NOT use a pre-amp (or non fixed output) from a receiver/pre-amplifier. If this is used the output will be post the receiver/pre-amplifier volume control thus making the output to the Flush Mount Single Source Input vary with the volume setting of the receiver/pre-amplifier. If a FIXED output like tape 1 or tape 2 is used, it is independent of the volume setting of the receiver/pre-amplifier thus allowing the lyriQ™ Volume Controls to have full control over the sound level.

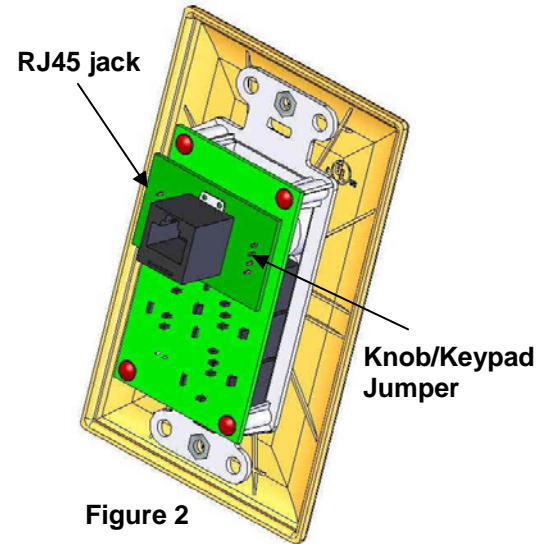


Figure 2

NOTE: If the TAPE OUTPUT jack is used and must be shared with a Tape Deck, then audio Y cables can be used.

- E. If IR control is being used plug the emitters into the IR EMITTER outputs and place them onto the IR receiver windows of the source equipment via the peel away adhesive strip.
- F. If the Universal IR Target, PN F7426, is being used, plug it into the IR INPUT jack on the Flush Mount Single Source Input.

- G. Check all other system components and then apply power to the lyriQ™ Audio Distribution Module in the Enclosure.
- H. The Green LED on the front of the Flush Mount Single Source Input lights to indicate an active audio source. The Red LED indicates any IR activity.

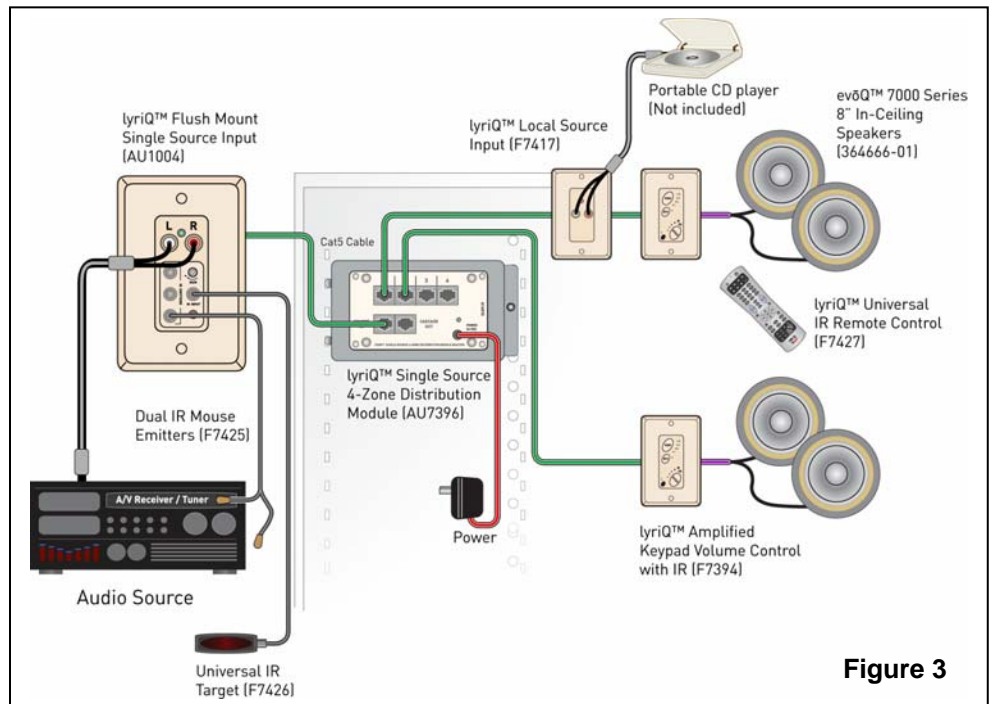


Figure 3