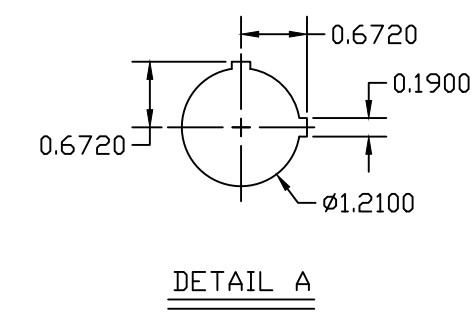
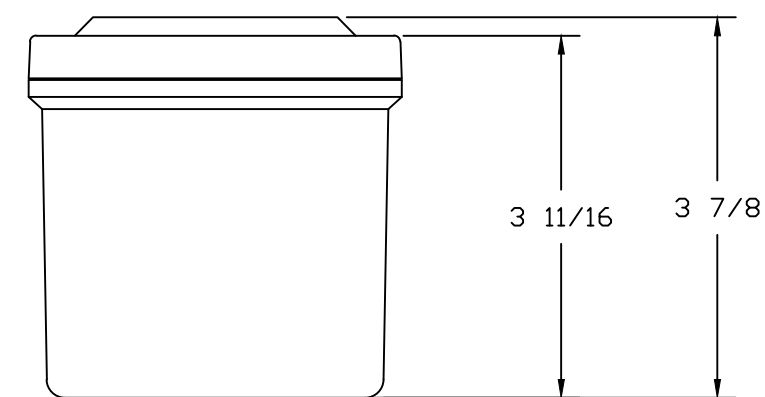
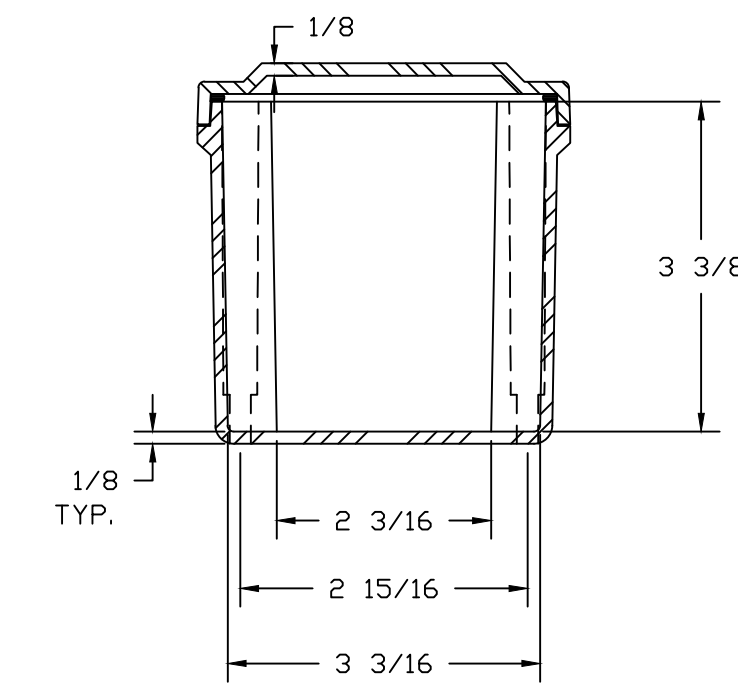


SECTION B-B



DETAIL A



SECTION A-A

NOTES:

NEMA 4X COLOR: GLACIER GRAY RR1013		TOLERANCES UNLESS SPECIFIED		DECIMAL ± .010	FRACTIONAL ± 1/32
GROUND STRAP TO BE FURNISHED WITH ENCLOSURE					
MATERIAL	F.R. POLYESTER FIBERGLASS	DR. BY	SH	DATE	7/16/91
LET.	REVISION RECORD	DATE	BY	CHK. BY	DATE
				APD. BY	DATE
				CUSTOMER	AutoCAD DWG. FILE
				SCALE DO NOT SCALE	CF1PB
PART NAME ENCLOSURE				PART NO. CF1PB	

STAHLIN ENCLOSURES DIVISION OF ROBROY INDUSTRIES BELDING, MICHIGAN 48809