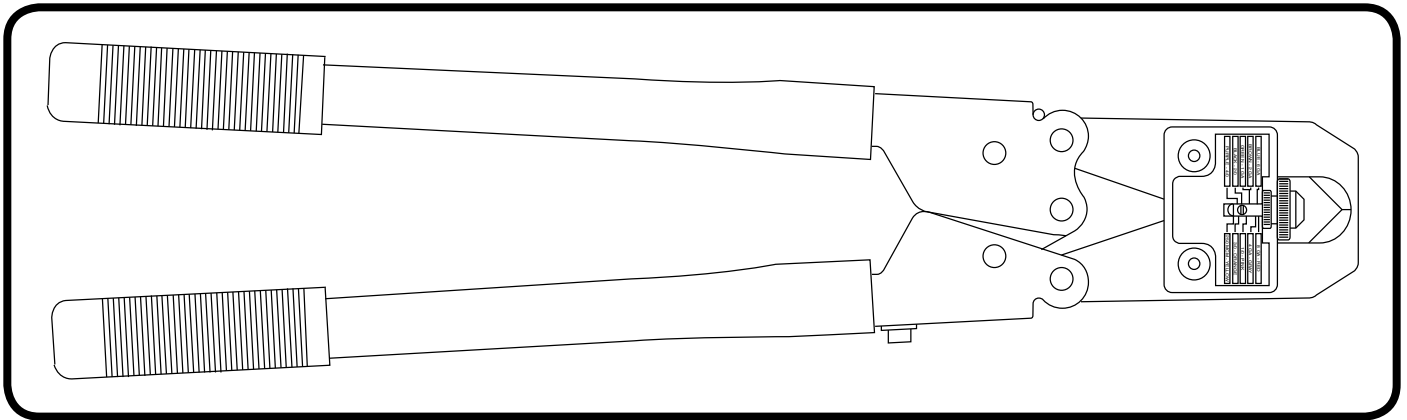


ADJUSTABLE CRIMPER INSTALLATION AND GAUGING PROCEDURE

For Battery Cables 4 GA to 4/0
Catalog Number BCT840 and BCT840S



! WARNING !
HANDLES ARE NON-INSULATING.
DO NOT CRIMP ON ENERGIZED WIRES.

01

INSTALLING PROCEDURE

1. Strip cable without cutting or nicking the strands.
2. Select the side of the tool according to the type of connector to be installed: casting or tubing.
3. Move indenter by turning the adjusting wheel until the pointer slot aligns with the selected cable size line. The wheel should be in a positive detented position (See figure 1).
4. Insert cable into connector barrel until it bottoms.

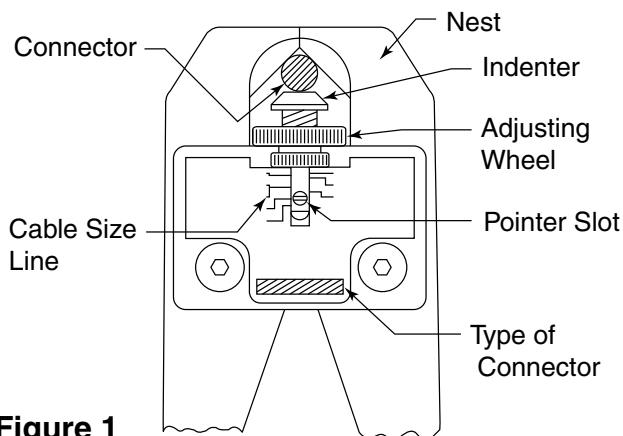
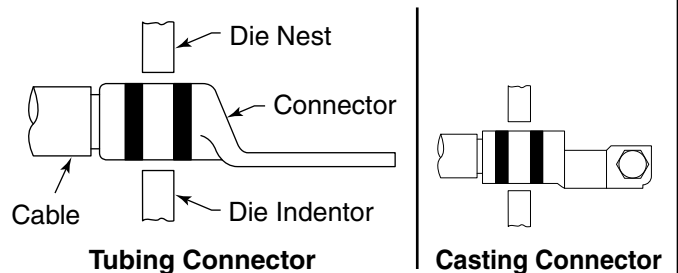


Figure 1

5. Locate connector in the tool between the die nest and indenter so that the die is between the color code marks (See Figure 2).
6. Crimp connector by closing the handles.
NOTE: Some connectors require more than one crimp. Refer to instructions packed with connectors.



! WARNING !
BCT840S is equipped with the SHURE-STAKE® Full Stroke Compelling Mechanism. **Keep fingers and other body parts clear of die nest during operation of this tool.**

Figure 2

02

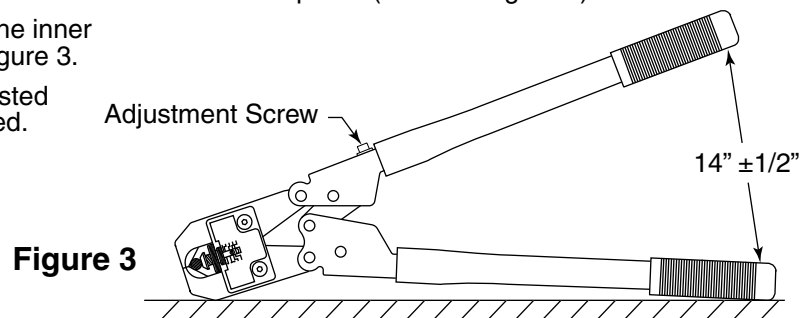
HANDLE ADJUSTMENT PROCEDURE

CHECKING HANDLE ADJUSTMENT

1. Lay the tool on a flat surface as shown in Figure 3. Open handle and release it so that it will close of its own weight.
2. Measure the handle spread distance at the inner surface of the handle tips as shown in Figure 3.
3. If the distance is $14" \pm 1/2"$ the tool is adjusted properly. If not, the tool should be adjusted.

HANDLE ADJUSTMENT PROCEDURE

1. Turn Adjustment screw clockwise to increase handle spread and counterclockwise to decrease handle spread (Refer to Figure 3).



03

GAUGING PROCEDURE

1. Close the tool jaws until they bottom.
2. Select the side of the tool to be gauged (Casting and/or Tubing).
3. Move indenter until the pointer slot aligns with the selected cable size. The adjusting wheel should be in a positive detented position. For cast connector select 1/0. For tubular connectors select 2/0.
4. Gauge the crimping area with a suitable pin gauge. The gauge diameter must fall within $.405 \pm .010$.

For Parts or Service, contact the tool service center at 1-800-284-TOOL (8665).

WARRANTY: Thomas & Betts sells this product with the understanding that the user will perform all necessary tests to determine the suitability of this product for the user's intended application. Thomas & Betts warrants that this product will be free from defects in materials and workmanship for the period stated on the enclosed warranty card. Upon prompt notification of any warranted defect, Thomas & Betts will, at its option, repair or replace the defective product or refund the purchase price. Proof of purchase is required. Misuse or unauthorized modification of the product voids all warranties.

Limitations and Exclusions: THE ABOVE WARRANTY IS THE SOLE WARRANTY CONCERNING THIS PRODUCT, AND IS IN LIEU OF ALL OTHER WARRANTIES EXPRESS OR IMPLIED, INCLUDING BUT NOT LIMITED TO ANY IMPLIED WARRANTY OF MERCHANTABILITY OR FITNESS FOR A PARTICULAR PURPOSE, WHICH ARE SPECIFICALLY DISCLAIMED. LIABILITY FOR BREACH OF THE ABOVE WARRANTY IS LIMITED TO COST OF REPAIR OR REPLACEMENT OF THE PRODUCT, AND UNDER NO CIRCUMSTANCES WILL THOMAS & BETTS BE LIABLE FOR ANY INDIRECT, SPECIAL, INCIDENTAL OR CONSEQUENTIAL DAMAGES.