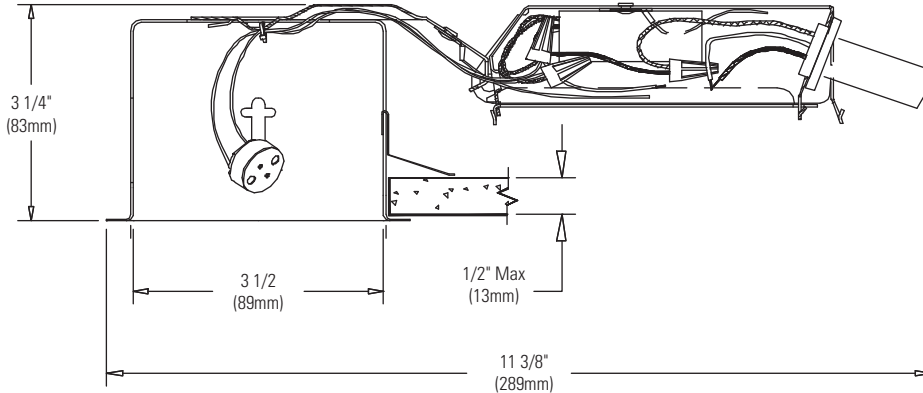
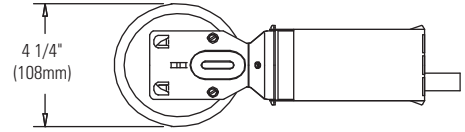


Lytecaster® Recessed Downlight **303MRE**

3 3/4" Aperture LytePoints® Low Voltage MR16 12V Ultra Shallow Electronic Remodeler (Non-IC)

Page 1 of 1



Complete fixture consists of Reflector Trim & Power Pack. Select each separately.

Power Pack	Cut-out	Reflector Trim
303MRE	3 3/4" (95mm)	Accepts 313,315, 316, 317 and 373 3 3/4" Low Voltage MR16 trims only; See Reflector Trim specification sheets.

Features

- Power Pack:** Ideal for remodeling. Swivel junction box for tight plenum spaces. Snap-off covers permits wiring from below.
- Housing:** 25 ga galvanized steel.
- Retaining Clip:** Zinc plated spring steel. Qty of 3.
- Socket:** Porcelain body; Two-pin (GX5.3 base) Pre-wired with 18 ga. Teflon® 250° leads to junction box.
- Transformer:** Electronic, 60VA, Class 2 transformer, 120 volt primary, nominal 12 volt secondary.
- Thermal Protector:** Meets CSA/UL requirements. Insulation, if used, must be kept 3" (76mm) away from luminaire sides and junction box.

Accessories

Thermal Protector Replacement: 1970

Labels

CSA, UL, Damp or Wet location rated depending on trim used.

Teflon® is a registered trademark of E.I. DuPont.

Job Information	Type:
Job Name:	
Cat. No.:	
Lamp(s):	
Notes:	

Lightolier a Genlyte Thomas Company www.lightolier.com
 631 Airport Road, Fall River, MA 02720 • (508) 679-8131 • Fax (508) 674-4710
 We reserve the right to change details of design, materials and finish.
 © 2011 Genlyte Thomas Group LLC (Lightolier Division) • B0711

LIGHTOLIER®