

EXTRA-DEEP 22.5-MM PUSHBUTTON ENCLOSURES, TYPE 4X

INDUSTRY STANDARDS

 UL 508A Listed; Type 4, 4X, 12; File Number E61997
 cUL Listed per CSA C22.2 No 94; Type 4, 4X, 12; File Number E61997

 NEMA/EEMAC Type 4X, 12, 13
 CSA File Number 42186: Type 4, 4X, 12
 IEC 60529, IP66

APPLICATION

Designed to house 22.5-mm oil-tight pushbuttons, switches and pilot lights. Enclosures provide protection against dust, dirt, oil and water. Extra-deep design accommodates additional contact blocks for pushbuttons.

SPECIFICATIONS

- Type 304 stainless steel
- Seams continuously welded and ground smooth
- Captivated stainless steel cover screws thread into sealed wells
- Enclosures 8.50 x 4.00 x 4.75 in. (216 x 102 x 121 mm) and larger have internal detachable hinge to hold cover open during wiring, yet permit immediate removal
- Bonding provision on door; grounding nut on body
- Oil-resistant gasket

FINISH

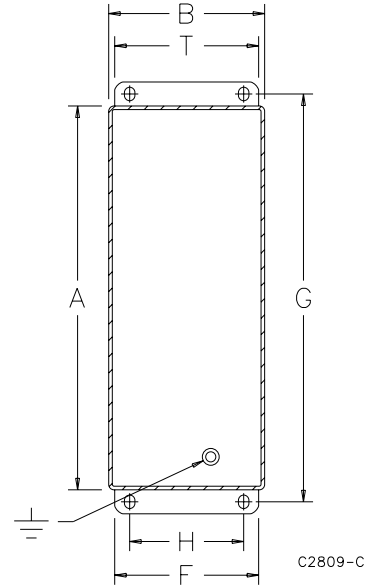
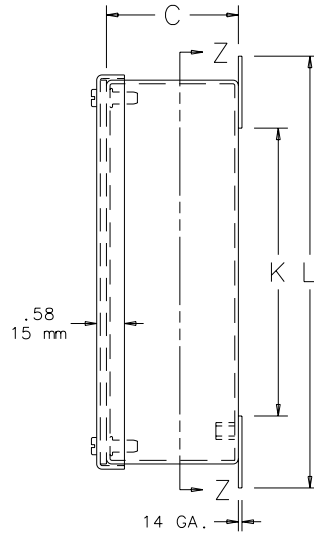
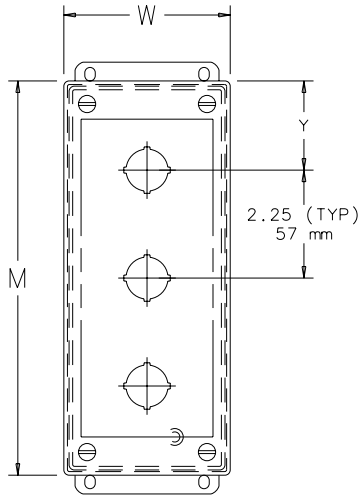
Covers and sides of body have a smooth #4 brushed finish.

ACCESSORIES

 Industrial Corrosion Inhibitors, page 1248
 Hol-Sealers Hole Seals
 Tamper-Resistant Screws

BULLETIN: PB1S
Standard Product

Catalog Number	AxBxC in./mm	Body Gauge	Cover Gauge	Holes	Mounting G x H in./mm	Overall L x W in./mm	F in./mm	K in./mm	M in./mm	T in./mm	V in./mm	Y in./mm
E1PBGXSS	4.00 x 4.00 x 4.75	16	16	1	4.50 x 3.13	5.00 x 4.22	3.75	2.00	4.18	3.75	5.00	—
	102 x 102 x 121				114 x 80	127 x 107	95	51	106	95	127	—
E2PBGXSS	6.00 x 4.00 x 4.75	14	16	2	6.50 x 3.13	7.00 x 4.22	3.75	4.00	6.18	3.75	5.00	1.98
	152 x 102 x 121				165 x 80	178 x 107	95	102	157	95	127	50
E3PBGXSS	8.00 x 4.00 x 4.75	14	16	3	8.50 x 3.13	9.00 x 4.22	3.75	6.00	8.18	3.75	5.00	1.86
	203 x 102 x 121				216 x 80	229 x 107	95	152	208	95	127	47
E4PBGXSS	10.00 x 4.00 x 4.75	14	16	4	10.50 x 3.13	11.00 x 4.22	3.75	8.00	10.18	3.75	5.00	1.73
	254 x 102 x 121				267 x 80	270 x 107	95	203	259	95	127	44



Z-Z

