

WARNING

- To reduce the risk of death, personal injury or property damage from fire, electric shock, falling parts, cuts/abrasions, and other hazards, read all warnings and instructions included with this product, and all product labels.
- Before installing, servicing, or performing routine maintenance upon this equipment, follow these general precautions.
- Commercial installation, service and maintenance of luminaires should be performed by a qualified, licensed electrician.
- If you are unsure about the installation or maintenance of the luminaires, consult a qualified, licensed electrician, and check your local electrical code.
- To prevent wiring damage or abrasion, do not expose wiring to edges of sheet metal or other sharp objects.
- Do not make or alter any open holes in an enclosure of wiring or electrical components during installation.

WARNING

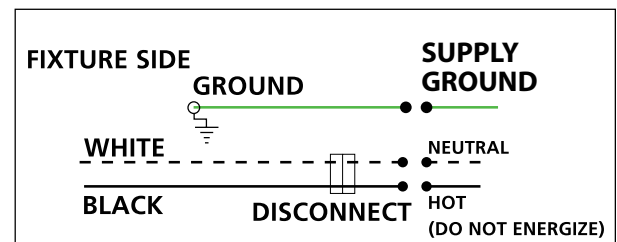
- Turn off electrical power at the fuse or circuit breaker box before wiring the luminaire to the power supply.
- Turn off the power before performing any maintenance.
- Verify that supply voltage is correct by comparing it with the luminaire label information.
- All wiring connections should be capped with UL approved wire connectors.

CAUTION

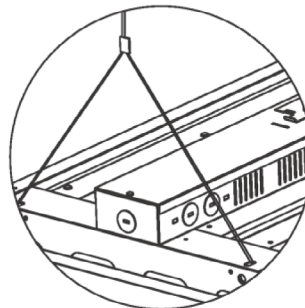
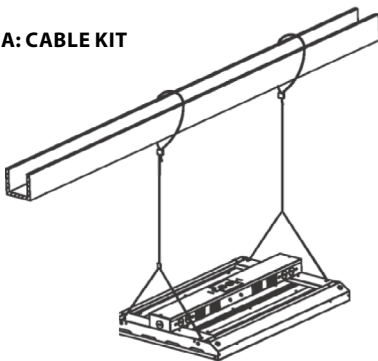
- Avoid direct eye exposure to the light source while it is on.
- Account for small parts and properly dispose of packing material, as these may be hazardous to children.
- To avoid the risk of burning, disconnect power and allow fixture to cool before handling the luminaire.

NOTE:

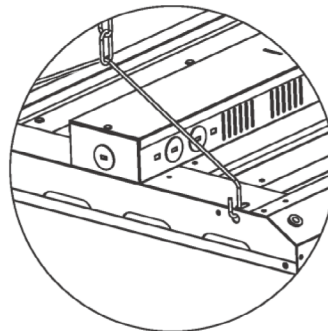
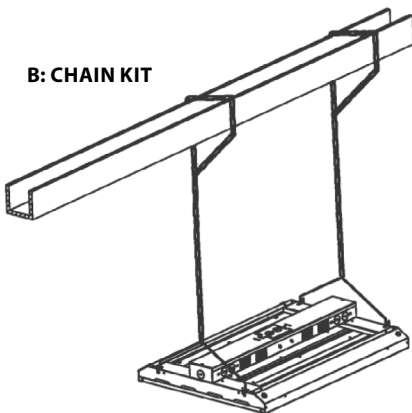
- Green ground screw is provided in the proper location. Do not relocate the screw.
- Minimum 90°C supply conductors.
- Specifications and dimensions subject to change without notice.
- Suitable for dry or damp locations.



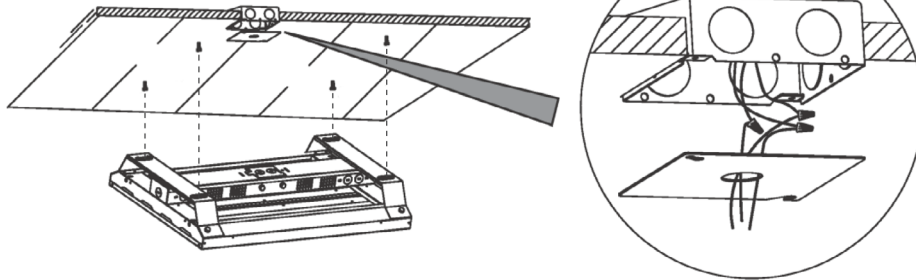
A: CABLE KIT



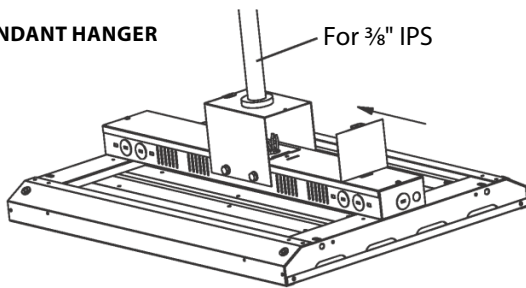
B: CHAIN KIT



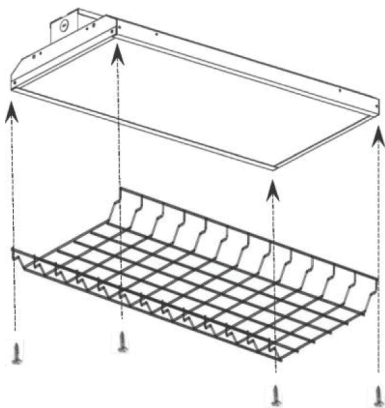
C: SURFACE MOUNTING



D: PENDANT HANGER



OPTIONAL: WIRE GUARD



Installation Steps:

WARNING: ALWAYS TURN OFF THE POWER SUPPLY FROM MAIN CIRCUIT BREAKER FIRST!

- Remove the LED luminaire from packaging and inspect for any damage. Handle LED luminaire with care.
- TO INSTALL WITH CHAIN MOUNT: Install the chain into the provided wire hanger. Secure the other end of the chain to a structure using hardware rated for the load. Install the wire hanger into the slots on the top of the LED luminaire end piece. Make sure the wiring hangers are fully engaged into the slots on the top channel.
- Connect the LED high bay wiring to incoming power lines, with black to black, white to white and green to green. Use only UL listed wire.
- **NOTE:** The purple and grey wires inside the driver compartment are 0-10V (low voltage) dimming wires. Connect to dimming low voltage wiring only.
- Clean all residues and fingerprints from the LED luminaire. Double check all hanging hardware before moving onto the next installation.
- Energize luminaire and ensure proper operation.