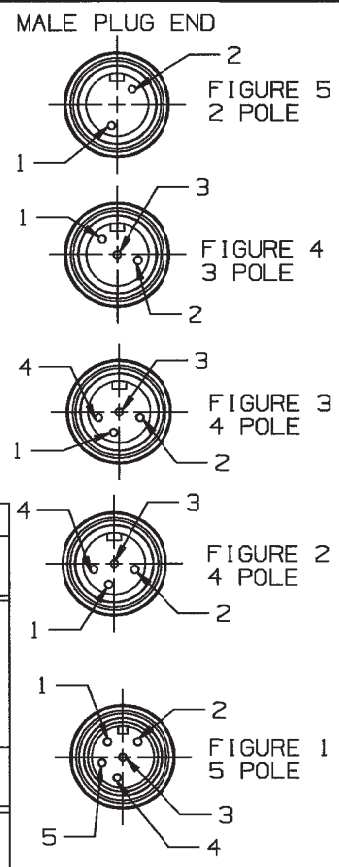
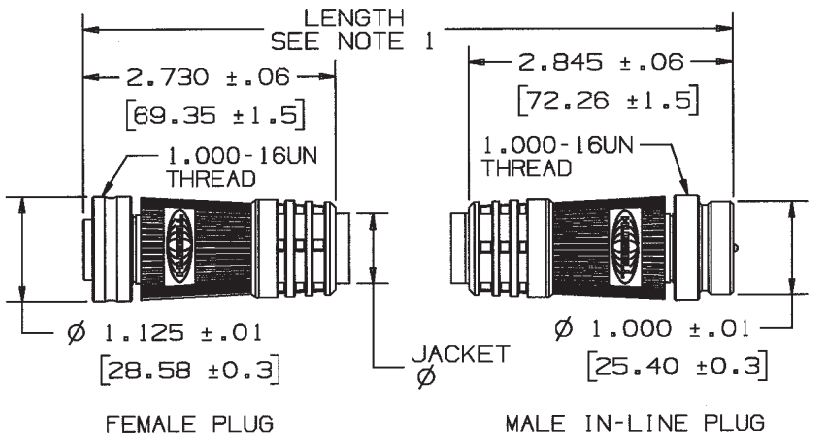
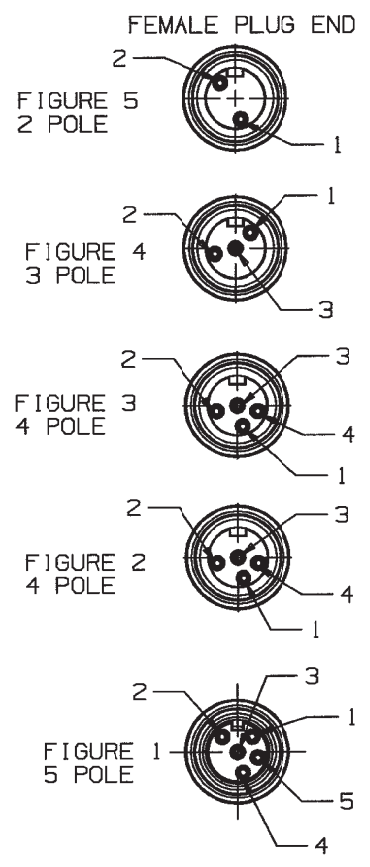


M-9425 4



WIRE POSITION AND WIRE COLOR			
PH2002PBXXX 2 POLE	PH2003PBXXX 3 POLE	PH2004PBXXX 4 POLE	PH2005PBXXX 5 POLE
1-BLUE 2-BLUE	1-BLACK 2-WHITE 3-GREEN/YEL	1-BLACK 2-WHITE 3-GREEN/YEL 4-BLACK	1-BLACK 2-WHITE 3-GREEN/YEL 4-BLACK 5-BLACK
	PH2003PAXXX 3 POLE	PH2004PAXXX 4 POLE	PH2005PAXXX 5 POLE
	1-BLACK 2-BLACK 3-GREEN/YEL	1-BLACK 2-BLACK 3-GREEN/YEL 4-BLACK	1-BLACK 2-BLACK 3-GREEN/YEL 4-BLACK 5-BLACK

LIST OF PARTS		
DESCRIPTION	MATERIAL	FINISH
COUPLING NUT	BRASS	NICKEL PLATE
INSULATOR, SOCKET	NYLON	WHITE
O RING	RUBBER	BLACK
O RING	SILICONE	GREEN
SOCKET CONTACT	COPPER ALLOY	GOLD OVER Pd/Ni
OVERMOLD	POLYURETHANE	GRAY
CABLE 12 AWG	PVC	GRAY
PIN CONTACT	BRASS	GOLD OVER Pd/Ni
INSULATOR, PIN	NYLON	WHITE

NOTES UNLESS OTHERWISE SPECIFIED:

1. THE "XXX" IN CATALOG NUMBER DENOTES LENGTH OF PLUG ASSEMBLY IN FEET. PH2306PB005 IS 5 FEET LONG. TOLERANCE ± 3.0" UP TO 5 FT., ± 8.0" FROM 5 FT TO 25 FT., ± 12" GREATER THAN 25 FT.
2. FIGURE SHOWN IS MALE & FEMALE CORDSET.
3. UL LISTED (PRODUCT CATEGORY CYJV) NOT FOR CURRENT INTERRUPT, RATING 20A/600V. CABLE - LISTED (QPOR) POWER & CONTROL TRAY CABLE 600V TYPE TC-ER.
4. THESE DEVICES SHALL CONFORM TO LINKOSITY SPECIFICATIONS -0015, -0020.
5. DIMENSIONS ARE IN INCHES [mm].
6. LINKOSITY™ IS A TRADEMARK OF LOCKHEED MARTIN.

CATALOG NUMBER SEE NOTE 1	SEE FIGURE NUMBER	CABLE JACKET DIA.
PH2005PBXXX	1	.710 ± .015
PH2004PBXXX	2	.645 ± .015
PH2004PAXXX	3	.645 ± .015
PH2003PBXXX	4	.595 ± .015
PH2002PBXXX	5	.575 ± .015
PH2005PAXXX	1	.710 ± .015

SYM	REVISIONS	APP	DATE
4	ADDED "PH2005PAXXX" TO TABLES PER DCN 13211 RCM	JPP	6/20/06
3	FIGURE 4: "3 POLE" WAS "5 POLE"; ADDED PH2003PAXXX TO TABLE PER DCN 12673 RCM	JPP	10/25/05
2	6/30/05 ADDED POLE POSITION, WIRE NO., WIRE COLOR, UPDATED NOTES, ADDED METRIC EQUIV. PER DCN 12451 CAC	CAC	7/1/05
1	7/21/04 RELEASED PER DCN 11855 MJM RDK	RDK	7/21/04

THE DESIGN AND DIMENSIONS OF THE PRODUCT SHOWN ON THIS DRAWING ARE SUBJECT TO CHANGE WITHOUT NOTICE

TITLE 20A DOUBLE ENDED CABLE LINKOSITY™ #12 AWG TC-ER CABLE

TOLERANCES UNLESS OTHERWISE SPECIFIED		WIRING DEVICE-KELLEMS HUBBELL INCORPORATED BRIDGEPORT, CT	
FRACTIONS	± 1/64	DR. BY MJM	APP. BY RDK
DECIMALS	± .005	TR. BY	SCALE NONE
ANGLES	± 2°	CHK'D BY RDK	DATE 7/21/04

DIMENSION SHEET FOR CAT. NO. M-9425
 REPAIRABLE NON-REPAIRABLE
 B
 4