

BALDOR® • ***RELIANCE***

Product Information Packet

GCP25052

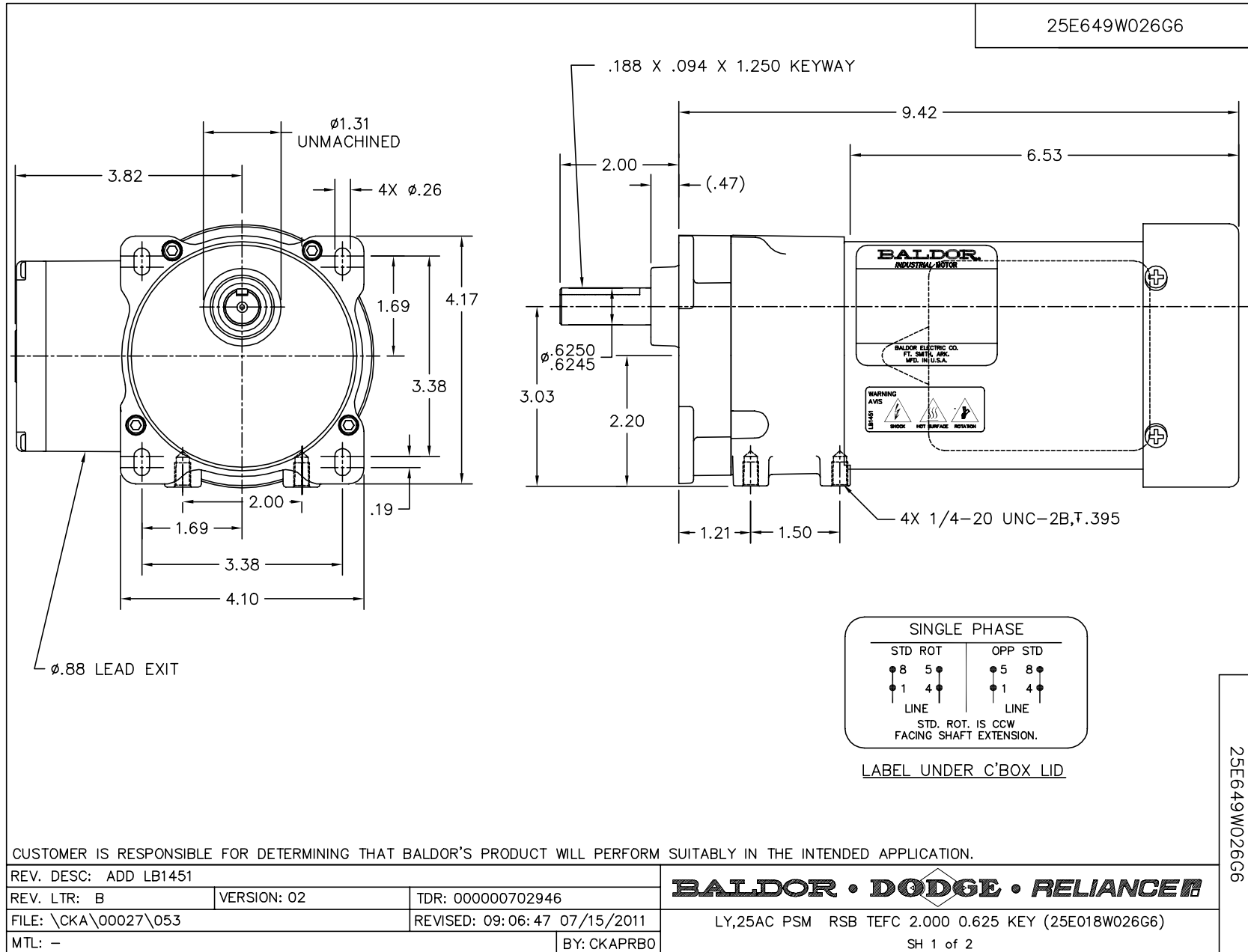
G.M. 2524 PSM 40:1 RSB TEFC

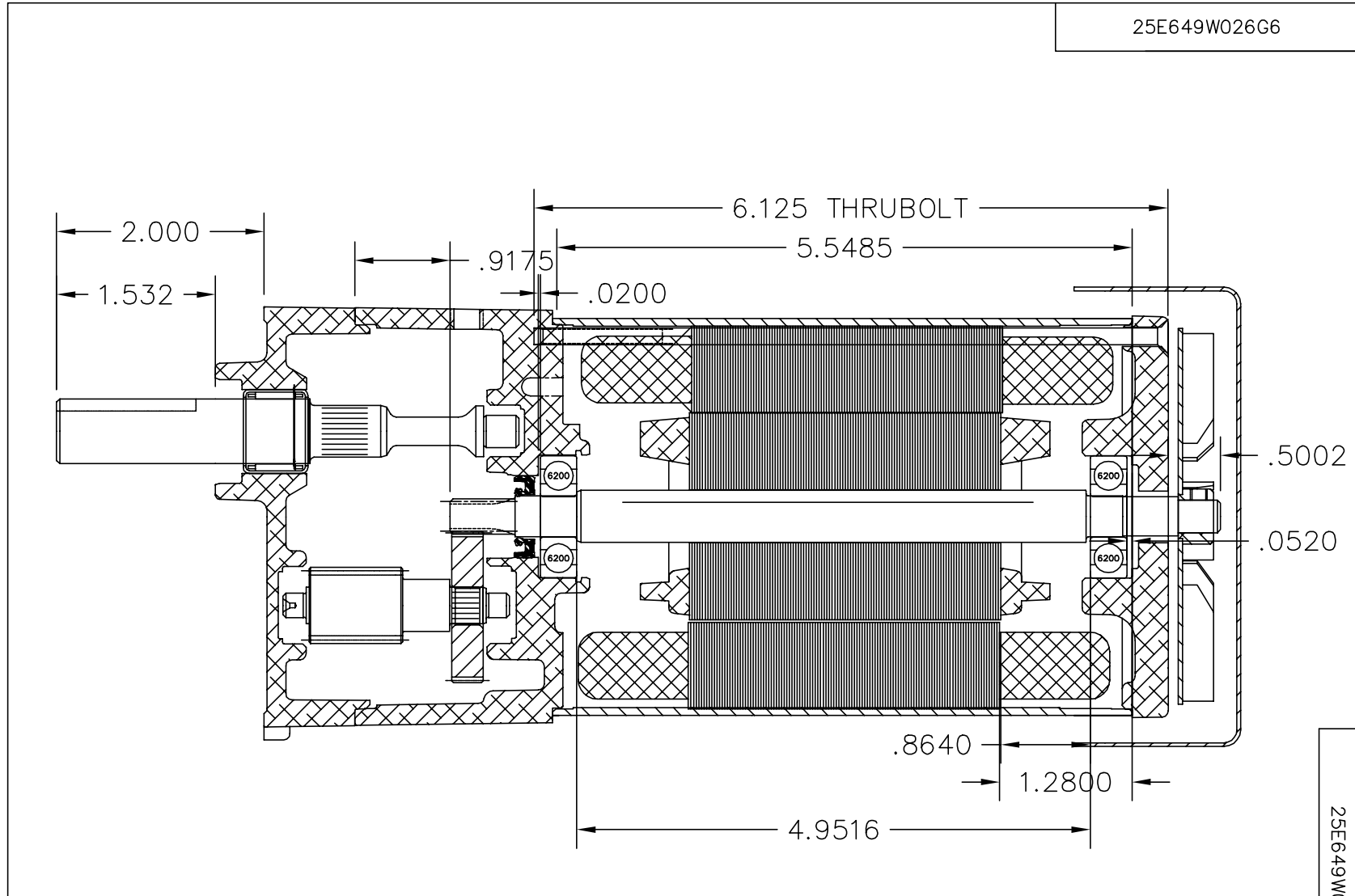
Part Detail							
Revision:	W	Status:	PRD/A	Change #:		Proprietary:	No
Type:	AC	Elec. Spec:	25WGW026	CD Diagram:	CD1917	Mfg Plant:	
Mech. Spec:		Layout:	25E649W026G6	Poles:	04	Created Date:	03-15-2005
Base:		Eff. Date:	01-17-2017	Leads:	4#18		

Specs			
Enclosure:	TEFC		
Gearhead Type:	PARALLEL SHAFT		
Gear Ratio:	40:1		
Gear Style:	PSM		
Connection Diagram:	CD1917		
Dimensional Drawing Numbers:	25E649W026G6		
Duty Rating:	CONT		
Frame Material:	Steel		
Insulation Class:	F		
KVA Code:	S		

Nameplate NP1416A01									
CAT.NO.	GCP25052				SER.NO				
SPEC.	25E649W026G6								
HP	.08//.11			VOLTS	115				
AMP	2.7//2.5			HZ	50//60				
PH	1	CAP		CODE	S	CLASS	F		
SER.F.	1.00		SF AMP				AMB.	40	
DUTY	CONT		R.P.M.	36//43					
TORQ/IN LB	149			RATIO	40:1				
APRV-CE		APRV-CSA		APRV-UL					

No performance data has been
assigned to this product.





CUSTOMER IS RESPONSIBLE FOR DETERMINING THAT BALDOR'S PRODUCT WILL PERFORM SUITABLY IN THE INTENDED APPLICATION.

REV. DESC: ADD LB1451			BALDOR • DODGE • RELIANCE
REV. LTR: B	VERSION: 02	TDR: 000000702946	
FILE: \CKA\00027\053		REVISED: 09:06:47 07/15/2011	LY,25AC PSM RSB TEFC 2.000 0.625 KEY (25E018W026G6)
MTL: -		BY: CKAPRBO	SH 2 of 2

