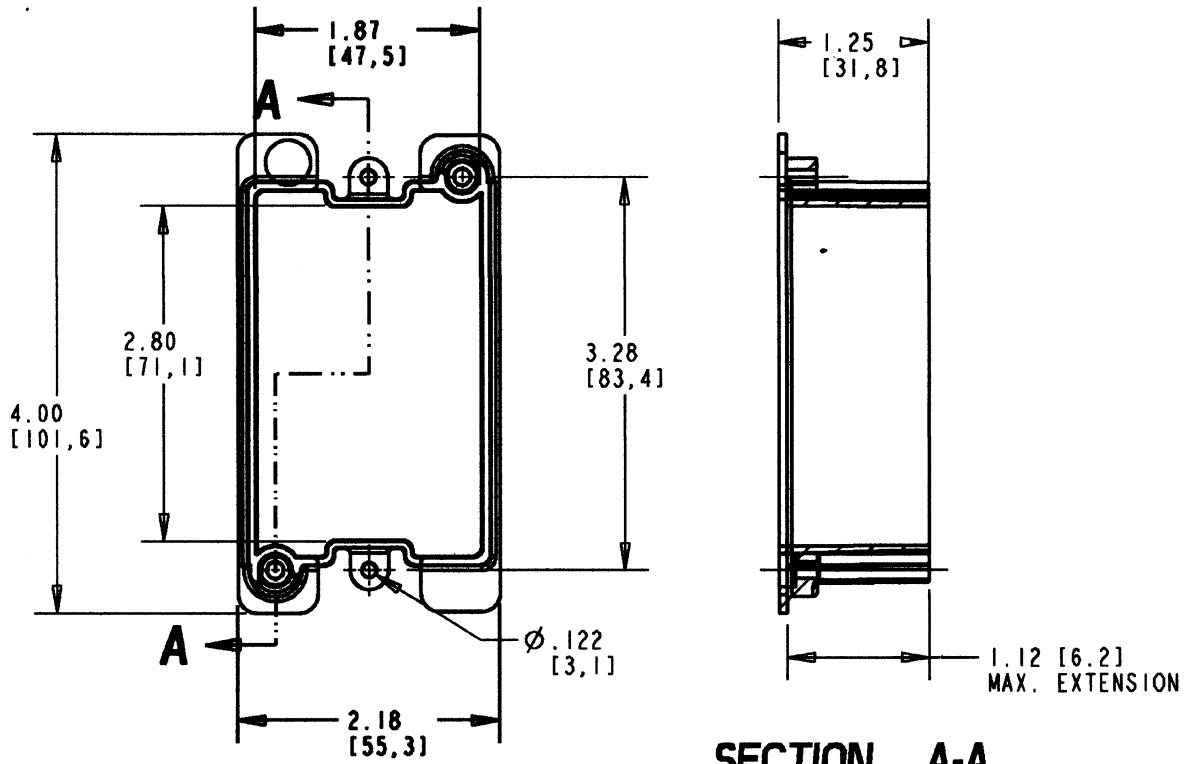
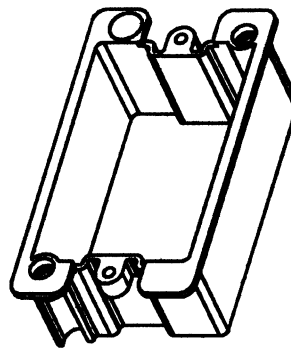


Carlton



SECTION A-A



PRODUCT IS UL LISTED

CAT. NO. BIEXTB
CAT. NO. BIEXT-CRD

BOX EXTENSION	ADDED BOX VOLUME
inches [mm]	in ml
.25 [6,4]	1.36 [22,3]
.38 [9,7]	2.05 [33,6]
.50 [12,7]	2.73 [44,7]
.63 [16]	3.42 [56]
.75 [19,1]	4.10 [67,2]
.87 [22,1]	4.79 [78,5]
1.0 [25,4]	5.47 [89,6]
1.12 [28,5]	6.16 [100]

GENERAL NOTES

- ALL DIMENSIONS ARE FOR REFERENCE ONLY.
- DIMENSIONS IN BRACKETS [] ARE IN METRIC UNITS.

REVISIONS

C SEE ERN (****) FOR APPROVAL SIGNATURES & RELEASE DATE.
PROJECT NO: ****

DESCRIPTION:

BOX EXTENDER

ORIGINAL PROJECT NO / (ERN NO)
/ ()

SHEET NO:
1 OF 1

REV. NO:
C

DRAWING NO:
WSD-AC03161

Thomas & Betts
www.tnb.com