



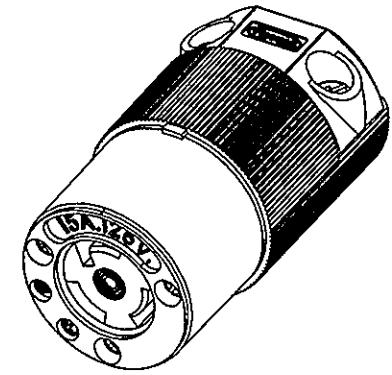


M-7152

8

CHEM-MARINE CAT.NO (YELLOW COVER) & INSERT [B]	CAT.NO. (YELLOW COVER) & INSERT	CAT.NO. (BLACK COVER) & INSERT	ALL BLACK [C]	CONFIGURATION	RATING	IEC RATING COLOR	UL	CSA
HBL47CM29C	-----	HBL4729C	HBL4729CBK	NEMA L5-15R 	15A 125V	YELLOW	YES	YES
HBL45CM79C	-----	HBL4579C		NEMA L6-15R 	15A 250V	BLUE	YES	YES
HBL47CM79C	-----	HBL4779C		NEMA L7-15R 	15A 277VAC	GRAY	YES	YES
-----	HBL7565CY	HBL7565C		3 POLE 3 WIRE 	15A 125V 10A 250V	BLACK	NO	NO

LIST OF PARTS		
DESCRIPTION	MATERIAL	FINISH
[C] BODY	NYLON	NATURAL
RETAINER	PC	CLEAR
COVER	NYLON	
CORD CLAMP	NYLON	NATURAL
[C] WIRE CLAMP	.062 CRS	NICKEL PL
BINDING PLATE	.031 in	
CONTACT SPRING	BRONZE	
INNER SPRING	.031 in	
	BRONZE	
BINDING SCREW	BRASS	
[A] GROUND HEX HEAD BINDING SCREW	BRASS	GREEN
CORD CLAMP	STEEL	ZINC PL
COMBO. SCREWS		
ASSY SCREWS	STEEL	ZINC PL



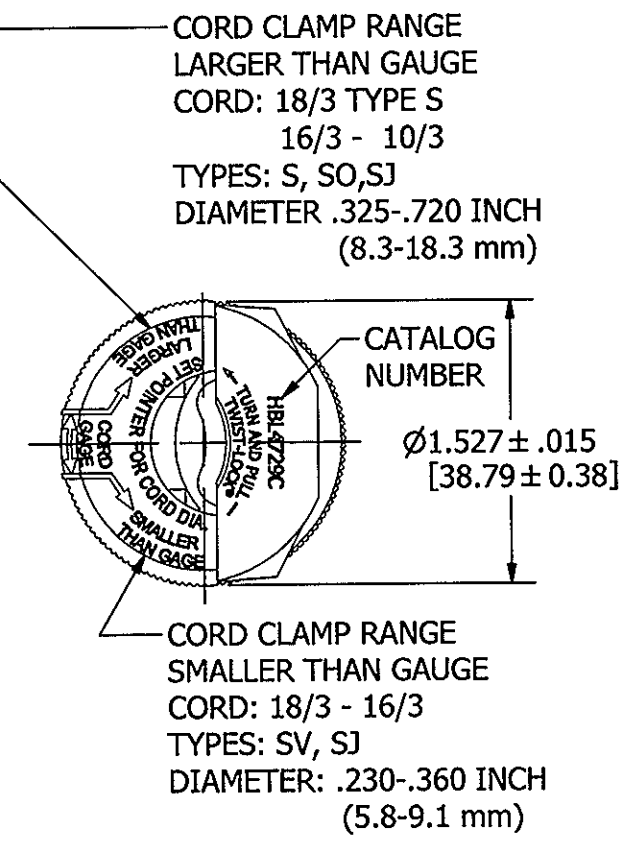
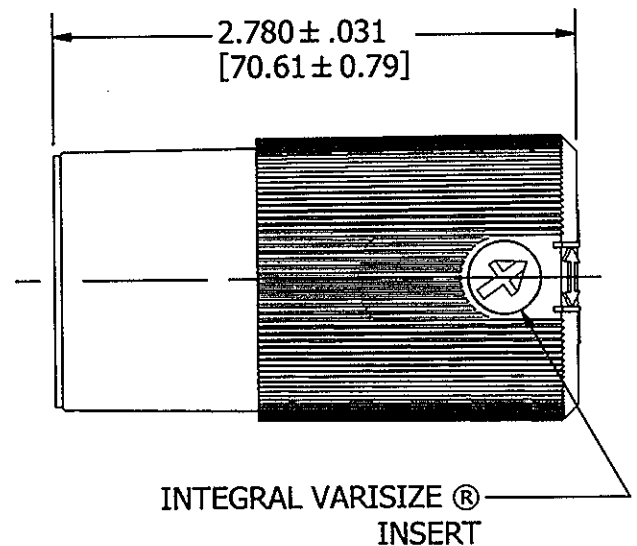
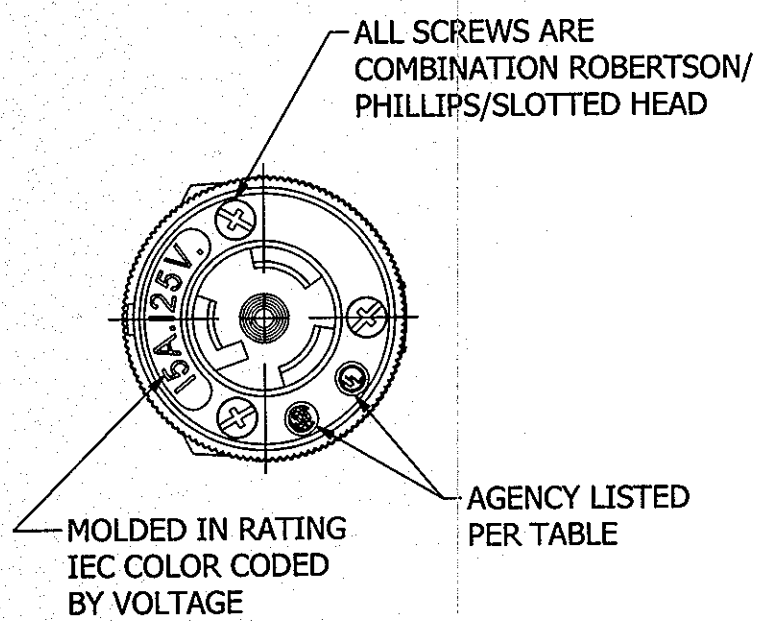
**CATALOG NO. HBL4729C
(NOT SHOWN TO SCALE)**

8	REDRAWN WITH EMBEDDED CAD MODEL WITH NO CHANGES TO PART GEOMETRY. PER DCN 21895 SPN	DJP	2/5/16
REV	DESCRIPTION	APP	DATE

THE DESIGN AND DIMENSIONS OF THE PRODUCT SHOWN ON THIS DRAWING ARE SUBJECT TO CHANGE WITHOUT NOTICE

TITLE
INSULGRIP® 2 POLE 3 WIRE GROUNDING TWIST-LOCK® CONNECTORS

TOLERANCES UNLESS OTHERWISE SPECIFIED		WIRING DEVICE-KELLEMS HUBBELL INCORPORATED SHELTON, CT	
.XX = ± .01	.XXX = ± .005	DR. BY	RCM
ANGLES = ± 2°		APP. BY	VFL
		TR. BY	SCALE ---
		CHK. BY	ZIMM
		DATE	6/28/93



- NOTES:**
- DIMENSIONS ARE IN INCHES [mm].
 - COMPONENT FINISHES:
 - [A] WHITE FINISH ON NEUTRAL CONTACT WHEN USED.
 - [B] CM DEVICES SAME AS ABOVE EXCEPT: COVER & CORD CLAMP - YELLOW TERMINAL SCREWS & CONTACT- NICKEL PLATED WIRE CLAMPS- BRASS, NICKEL PLATE ASSEM FASTENERS - STAINLESS STEEL
 - [C] BK DEVICES ARE SAME AS ABOVE EXCEPT ALL BLACK

DIMENSION SHEET FOR CAT. NO. M-7152
 REPAIRABLE NON-REPAIRABLE
B
 M-7152
8