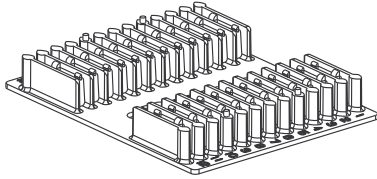


Components - (for use with any fiber enclosure)

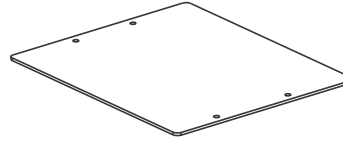


(1) Splice chip

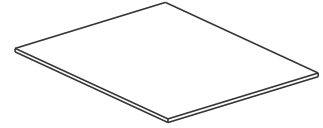
TOP SPLICE	BOTTOM SPLICE
1	1
2	2
3	3
4	4
5	5
6	6
7	7
8	8
9	9
10	10
11	11
12	12

FSC24LB 10290-03

(1) Splice chip label

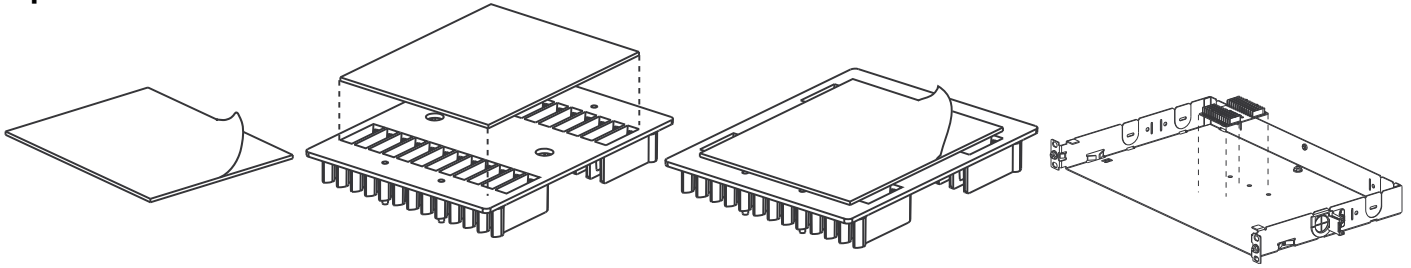


(1) Splice chip cover

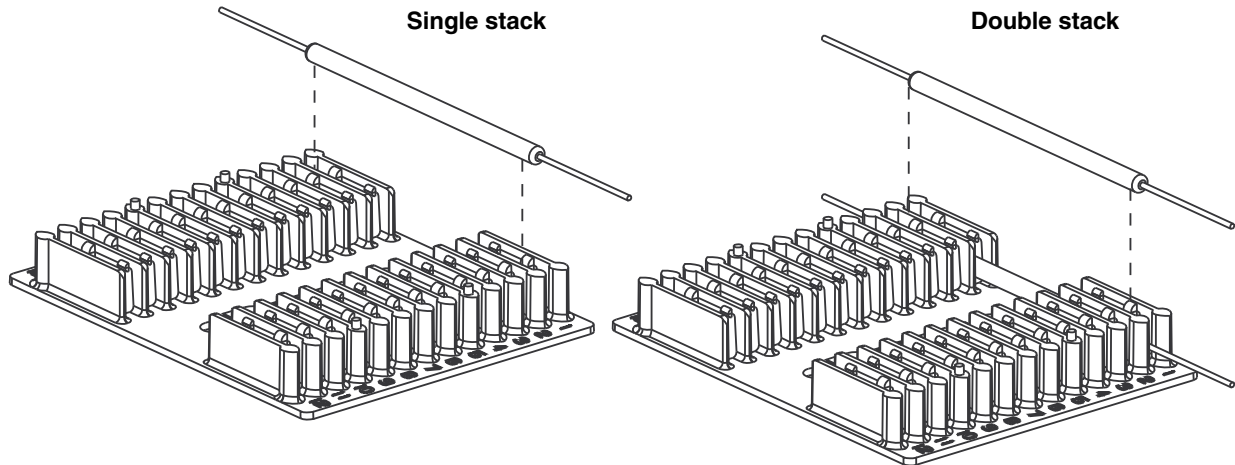


(1) Splice chip adhesive strip

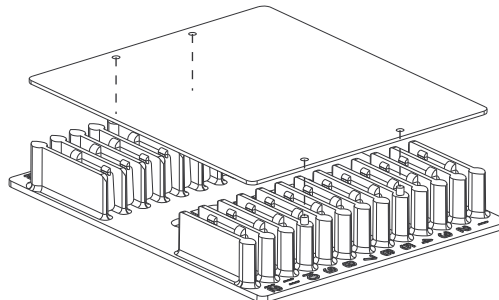
Chip Installation



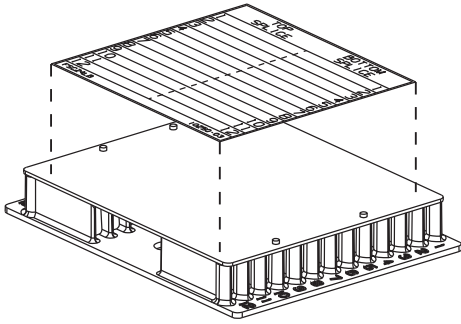
Splice Installation



Cover Installation

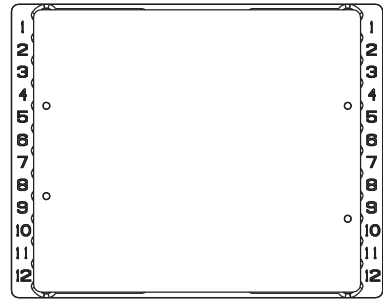


Label Installation

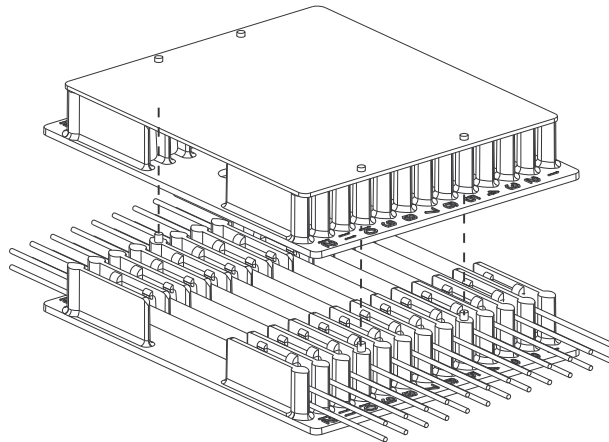


(OR)

TOP SPLICE		BOTTOM SPLICE	
1			
2			
3			
4			
5			
6			
7			
8			
9			
10			
11			
12			
FSC24LB		10250-03	

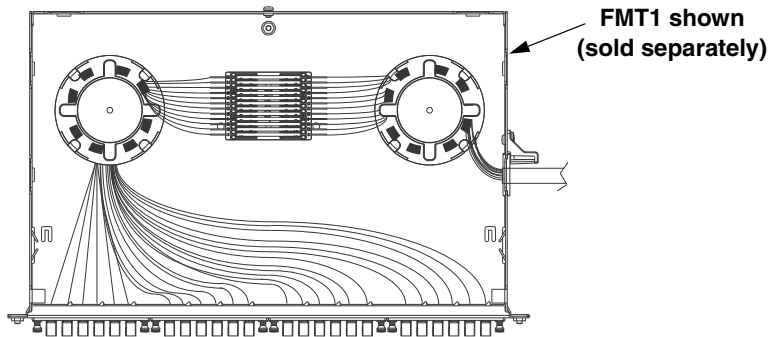


Chip Stacking



Fiber Routing

Option 1

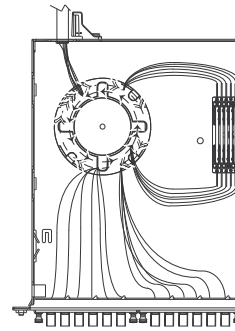
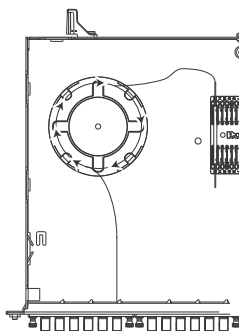
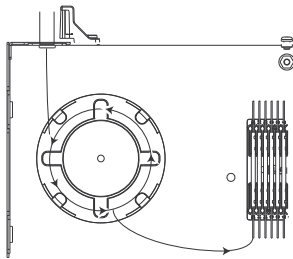


Option 2

Step 1

Step 2

Step 3



For Instructions in Local Languages
and Technical Support:

www.panduit.com/resources/install_maintain.asp

PANDUIT

www.panduit.com

E-mail:
techsupport@panduit.com

Phone:
866-405-6654