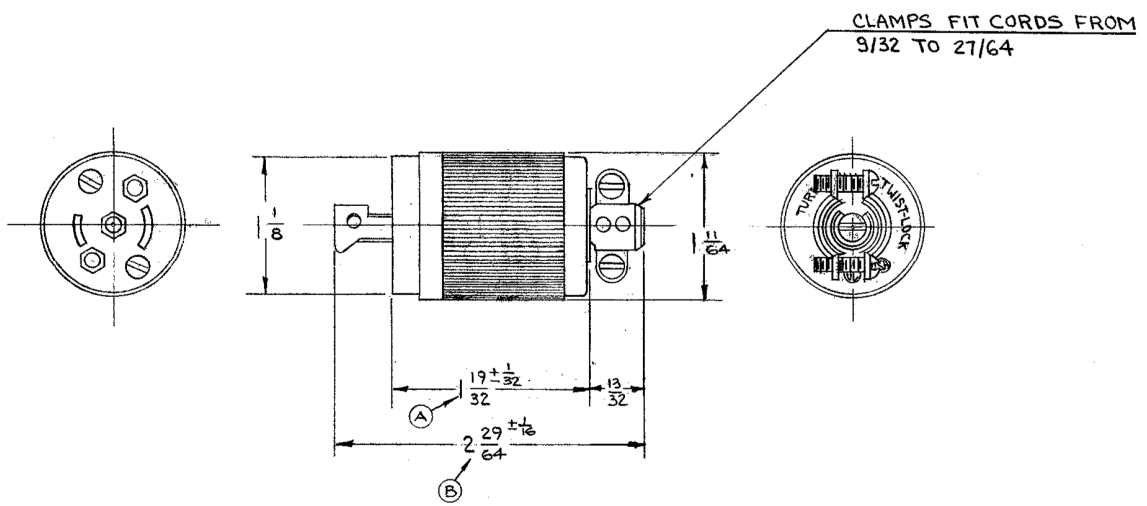


M-4463 3



LIST OF PARTS		
DESCRIPTION	MATERIAL	FINISH
BODY	POLYESTER	BLACK
GR. CONTACT SLEEVE	BRASS	
BASE	NYLON	BLACK
CONTACT BLADES	.060 BRASS	WHITE
BINDING SCREWS	BRASS	WHITE
INSULATORS	.031 NYLON	NATURAL
CORD CLAMPS	.040 NYLON	BLACK OX.
ROUND HD. SCREWS	STEEL	BLACK OX.
FILISTER HD. SCREWS	STEEL	ZINC PLATE

REPAIRABLE  NON-REPAIRABLE

3	PARTS LIST: BODY MATERIAL POLYESTER WAS BAKELITE; CAT. NO. HBL7594 WAS 7594 PER DCN 22625 RM	DJP	10/3/17
2	ADDED RD. HD. & FILISTER HD. SCREWS, INSULATORS WAS W/L. P/B. SEE DCN 1258	CSC	6-19-92 AJL
1	DIM. A WAS 29 1/64 B WAS 1 1/16		5-4-83 HJM
SYM	REVISIONS	APP	DATE

TITLE  
15-A 125-V THREE-WIRE GROUNDING MIDGET  
TWIST-LOCK CAP WITH CORD GRIPS

HARVEY HUBBELL, INC.  
 SHELTON CONN.  
 DR. BY R.D.T. APP. BY \_\_\_\_\_  
 TR. BY \_\_\_\_\_ SCALE FULL  
 CHK'D. BY A.S.M. DATE 5-13-66