

BALDOR® • ***RELIANCE***

Product Information Packet

GP233022

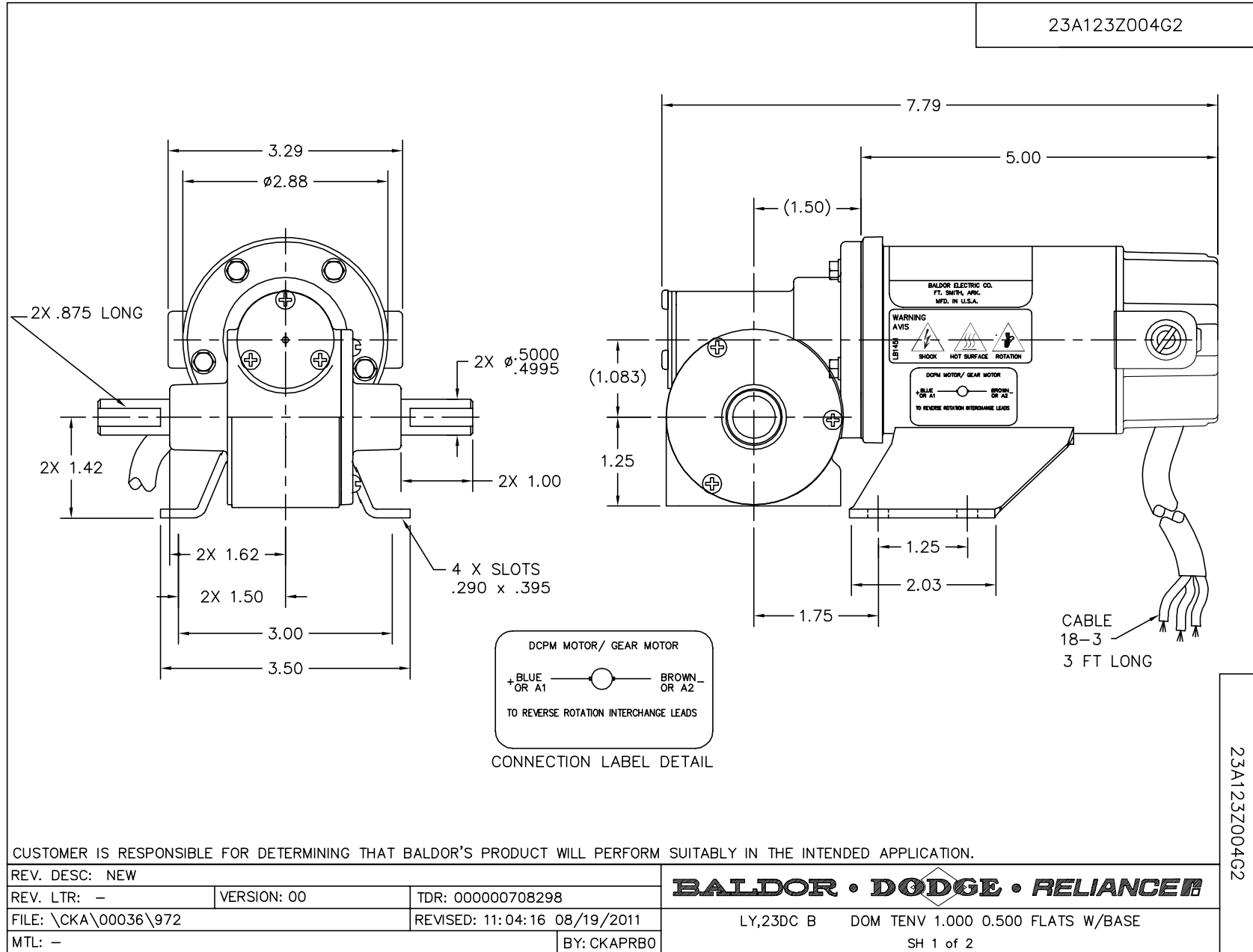
1/14HP,DC,BA,2318P,TENV,GM

Part Detail							
Revision:	AB	Status:	PRD/A	Change #:		Proprietary:	No
Type:	DC	Prod. Type:	2318P	Elec. Spec:	23WGZ004	CD Diagram:	CD1899
Enclosure:	TENV	Mfg Plant:		Mech. Spec:		Layout:	23A123Z004G2
Frame:		Mounting:		Poles:	00	Created Date:	
Base:		Rotation:	R	Insulation:	F	Eff. Date:	09-22-2017
Field Type:		Literature:		Elec. Diagram:		Replaced By:	

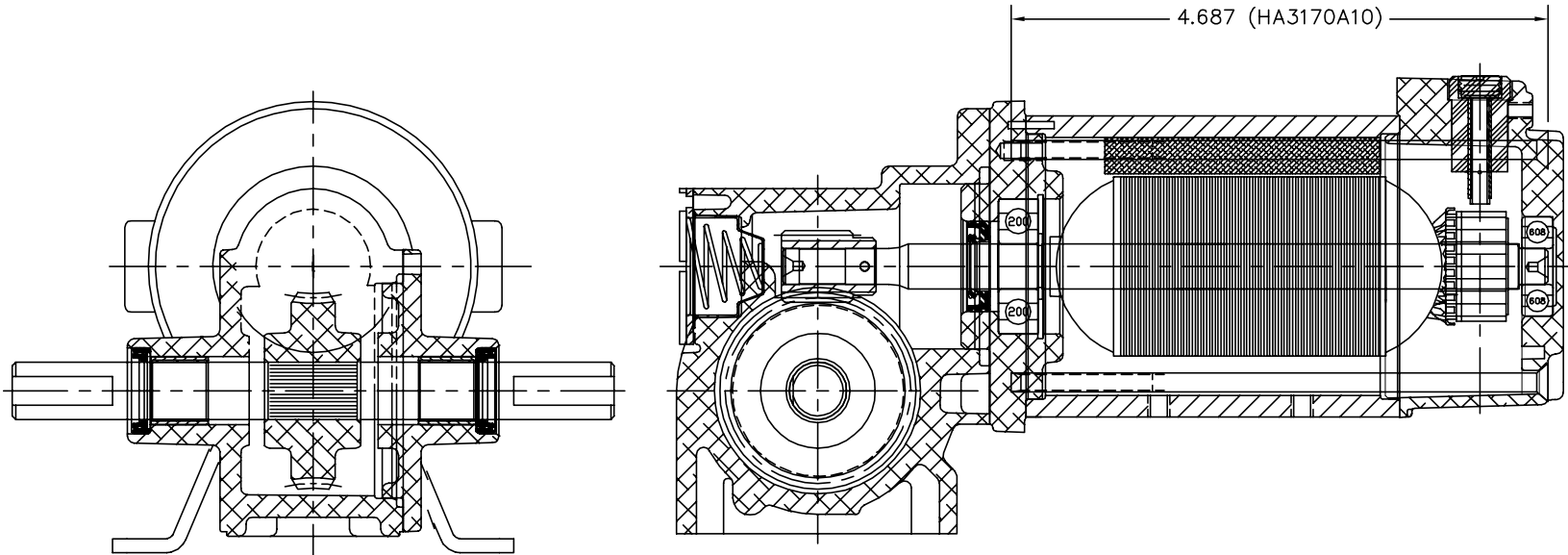
Specs			
Enclosure:	TENV		
Gearhead Type:	RIGHT ANGLE		
Gear Ratio:	20:1		
Gear Style:	BA		
Mounting Arrangement:	0.000		
Product Family:	General Purpose		

Nameplate NP1220A08

CAT.NO.	GP233022		
SER.NO.			
SPEC.	23A123Z004G2		
FRAME	BA	TYPE	2318P
HP	1/14	TE	
VOLTS	180DC		
AMP	.42		
F.F.	1.40	CLASS	F
AMB.	40	DUTY	CONT
BRUSHES	2/BP5060BF02		
R.P.M.	86		
TORQ/IN LB	28		
RATIO	20:1		
APRV-CE		APRV-CUL	



23A123Z004G2



CUSTOMER IS RESPONSIBLE FOR DETERMINING THAT BALDOR'S PRODUCT WILL PERFORM SUITABLY IN THE INTENDED APPLICATION.

REV. DESC: NEW		VERSION: 00		TDR: 000000708298	
REV. LTR: -		FILE: \CKA\00036\972		REVISED: 11:04:17 08/19/2011	
MTL: -		BY: CKAPRBO			

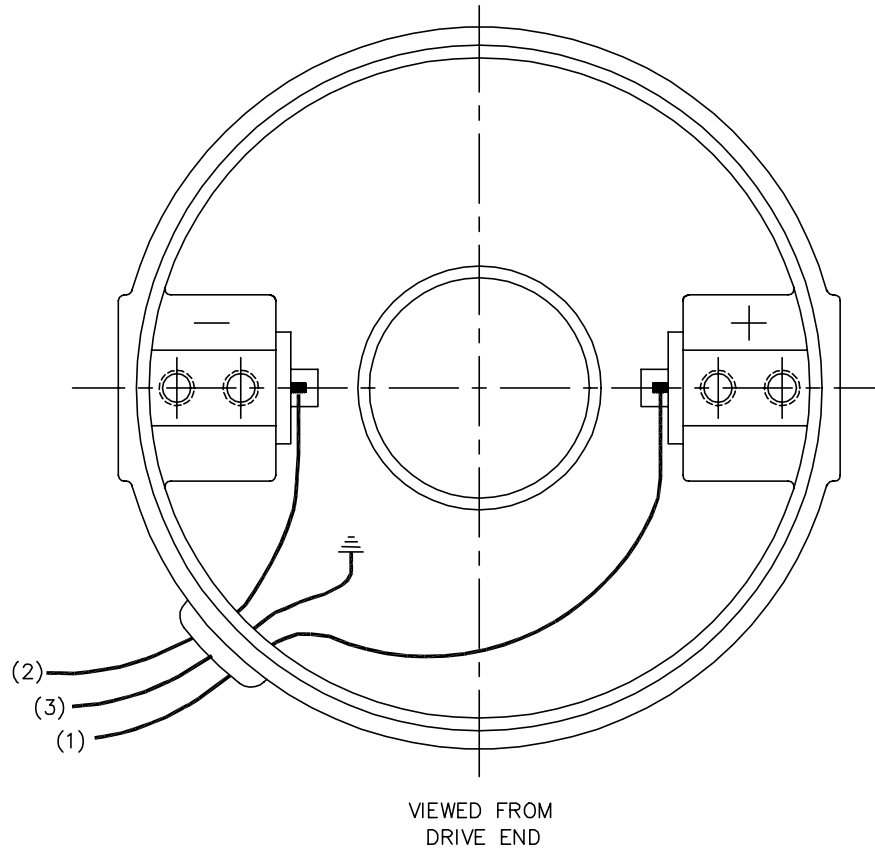
BALDOR • DODGE • RELIANCE

LY,23DC B DOM TENV 1.000 0.500 FLATS W/BASE

SH 2 of 2

23A123Z004G2

CD1899



(1) COLOR MAY BE
RED
WHT
BLU

(2) COLOR MAY BE
BLK
BRN

(3) COLOR WHEN REQ.
GRN
GRN/YEL

VIEWED FROM
DRIVE END

REV. DESC: NEW			
REV. LTR: -	BY: PAW	REVISED: 09:06:34 09/16/2004	TDR: 341564
668100		FILE: CKA00025830	REF: CD1899
		MTL: -	

BALDOR ELECTRIC Co.

PM,2LD,REV,TANG,CK

CD1899