

DRAWING NO.
SA012372

4

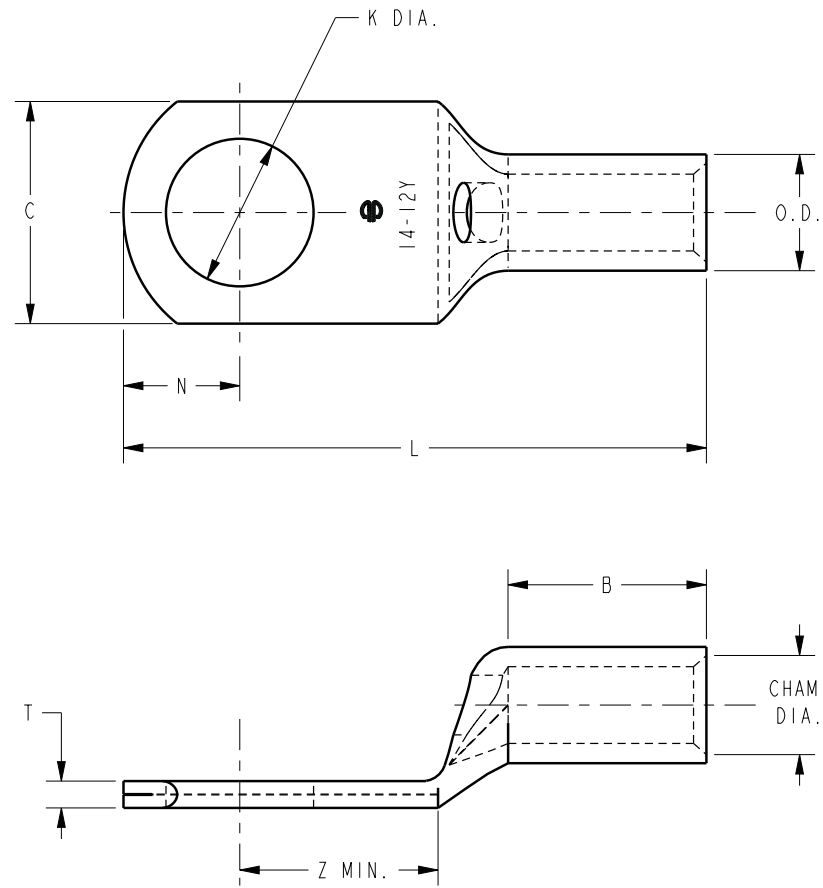
3

2

1

ITEM NO.	CATALOG NO.	STUD SIZE	K DIA.	C	T	O.D.	B	N	Z MIN.	L	CHAM. DIA.
603310	YAVI2G2	#8, #10	.20 [5]	.30 [8]	.04 [1]	.16 [4]	.27 [7]	.16 [4]	.24 [6]	.78 [20]	.13 [3]
603315	YAVI2G3	1/4	.27 [7]	.36 [9]	.03 [1]	.16 [4]	.27 [7]	.25 [6]	.33 [8]	.97 [25]	.13 [3]
603320	YAVI2G4	#4, #5, #6	.15 [4]	.24 [6]	.05 [1]	.16 [4]	.27 [7]	.16 [4]	.24 [6]	.78 [20]	.13 [3]
603325	YAVI2G5	#8	.17 [4]	.27 [7]	.04 [1]	.16 [4]	.27 [7]	.16 [4]	.25 [6]	.78 [20]	.13 [3]

REV	DATE	DESCRIPTION	ECO	BY	C'H'K.
A	2011-06-22 11:00:00 EDT	REDRAWN IN TO PROE & TABLE ADDED	24882	BT	MA



NOTES:

1. MATERIAL: COPPER TUBE.
2. FINISH: TIN PLATED.
3. ADD SUFFIX -NK IN CAT.# FOR NICKEL PLATING.
4. ACCOMMODATES: #14-#12 COPPER STRANDED CABLES.
5. UL LISTED AND CSA CERTIFIED.
6. INSTALLATION TOOLING:

M8ND WITH N14HT OR N14HT5
Y10D, Y8MRB-1, Y10-22, MR20, MR890, MRE1022B, MR8G98
USE #14 GROOVE

TO ORDER BURNDY® PRODUCTS CALL
UNITED STATES:
1-800-346-4175 (LONDONDERRY, NH)
CANADA:
1-800-361-6975 (QUEBEC)
1-800-387-6487 (ALL OTHER PROVINCES)
FOR PRODUCT INFO: <http://www.burndy.com>

HYLUG™	
ITEM NO:	SEE TABLE
CAT. NO:	YAVI2G_ (SEE TABLE)
DRAWN BY:	H.F.G. 2-8-56
CHECKER:	-- N/A
DSN APPVL:	-- N/A
MFG APPVL:	-- N/A
QA APPVL:	-- N/A
MKT APPVL:	N/A N/A
SCALE:	3:1
PROD FAM:	CM&R Compression
PROJECT #:	--
DOCUMENT TYPE:	Sales
REL LEVEL:	Released



DRAWING NO	REV
SA012372	A
SHEET 35 OF 37	

D
C
B
A
REV: PE0200

D
C
B
A

4

3

2

1