

BALDOR® • RELIANCE

Product Information Packet

GM3337

.16HP,1725RPM,3PH,60HZ,JK-1,2520M,TEFC

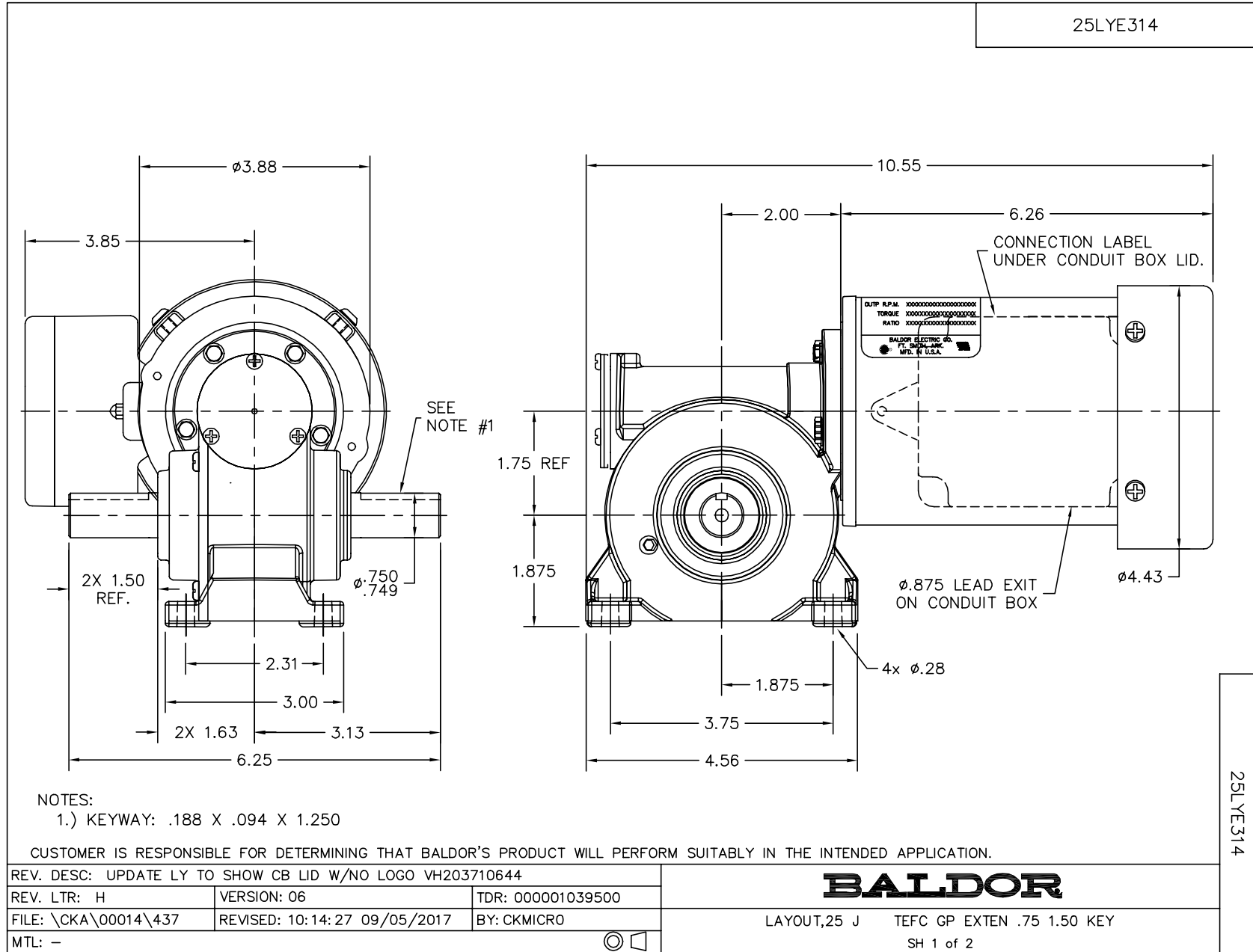
Part Detail							
Revision:	AA	Status:	PRD/A	Change #:		Proprietary:	No
Type:	AC	Elec. Spec:	25WGW192	CD Diagram:	CD0005A05	Mfg Plant:	
Mech. Spec:		Layout:	25LYE314	Poles:	04	Created Date:	
Base:		Eff. Date:	04-10-2017	Leads:	9#18		

Specs			
Enclosure:	TEFC		
Gearhead Type:	RIGHT ANGLE		
Gear Ratio:	45:1		
Gear Style:	JK		
Connection Diagram:	CD0005A05		
Design Code:	B		
Dimensional Drawing Numbers:	25LYE314		
Duty Rating:	CONT		
Frame Material:	Steel		
Insulation Class:	F		
KVA Code:	P		

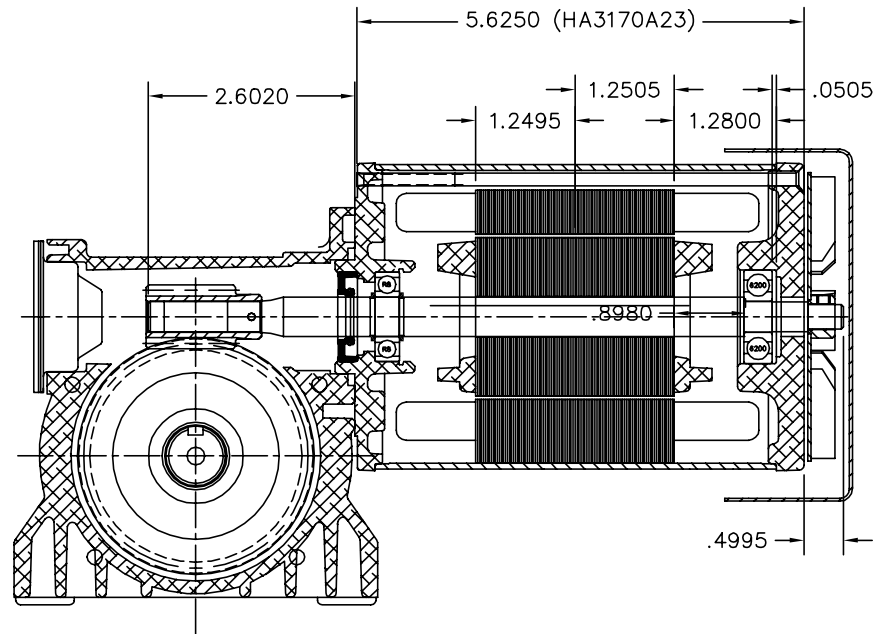
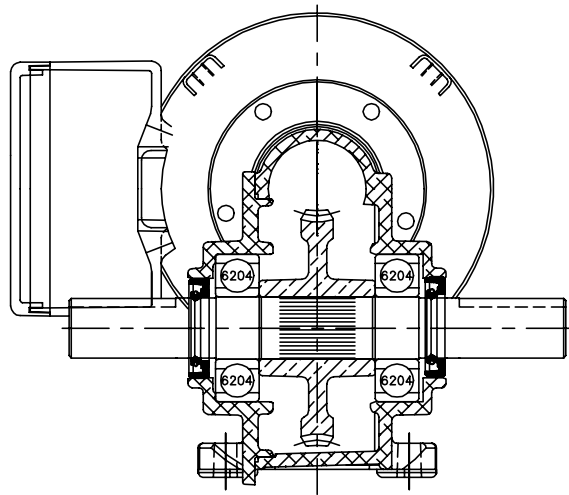
Nameplate NP1220A07

CAT.NO.	GM3337		
SER.NO			
SPEC.	25E314W192G2		
HP	.16	TE	
VOLTS	208-230/460		
AMP	.9-1/.5		
HZ	60	PH	3
AMB.	40	DUTY	CONT
CAP		CODE	P
SER.F.	1.0	CLASS	F
R.P.M.	38		
TORQ/IN LB	125		
RATIO	45:1		
APRV-CSA		APRV-UL	

No performance data has been
assigned to this product.



25LYE314



NOTES:

- 1.) KEYWAY: .188 X .094 X 1.250

CUSTOMER IS RESPONSIBLE FOR DETERMINING THAT BALDOR'S PRODUCT WILL PERFORM SUITABLY IN THE INTENDED APPLICATION.

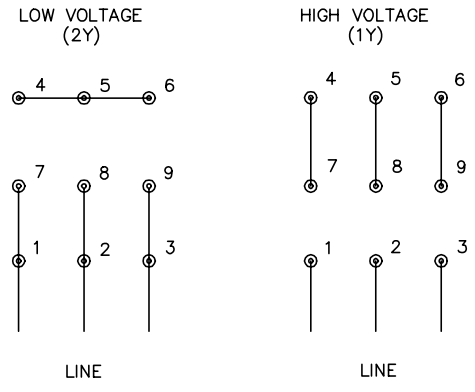
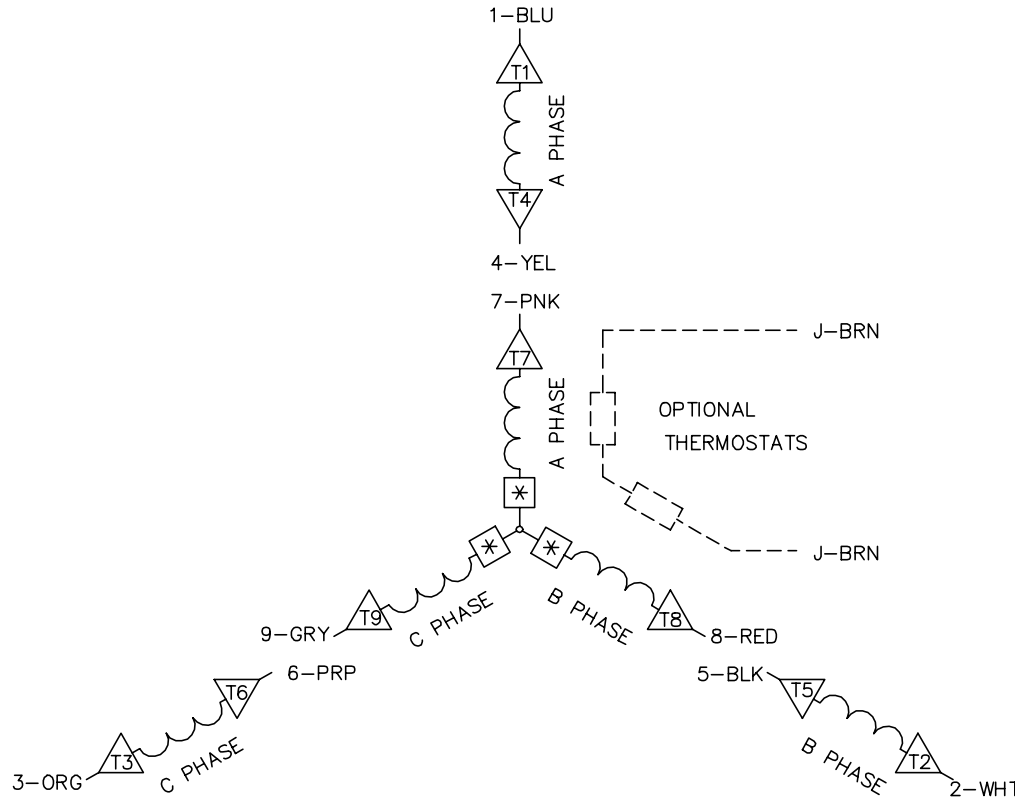
REV. DESC: UPDATE LY TO SHOW CB LID W/NO LOGO VH203710644		
REV. LTR: H	VERSION: 06	TDR: 000001039500
FILE: \CKA\00014\437	REVISED: 10:14:30 09/05/2017	BY: CKMICRO
MTL: -		

BALDOR

LAYOUT,25 J TEFC GP EXTEN .75 1.50 KEY
SH 2 of 2

25LYE314

CD0005A05



- NOTES:
1. INTERCHANGE ANY TWO LINE LEADS TO REVERSE ROTATION.
 2. OPTIONAL THERMOSTATS ARE PROVIDED WHEN SPECIFIED.
 3. ACTUAL NUMBER OF INTERNAL PARALLEL CIRCUITS MAY BE A MULTIPLE OF THOSE SHOWN ABOVE.
 4. LEAD COLORS ARE OPTIONAL. LEADS MUST ALWAYS BE NUMBERED AS SHOWN.
 5. =MAGNET WIRE COIL END WITH I.D. NUMBER.
 6. =MAGNET WIRE COIL END WITH I.D. SYMBOL.
 7. SEE CW PRINT FOR NEST TO NEST CROSSOVER CONNECTIONS.

CD0005A05

REV. DESC: ADD NEST NOTE			
REV. LTR: C	VERSION: 03	TDR: 000000445597	
CD0005A05	FILE: \CKA\00024\847	REVISED: 12:51:06 11/15/2007	
	MTL: -	BY: CKMICRO	

BALDOR • DODGE • RELIANCE

3PH, DV, 9 LEADS, CK