

# Condulet® Conduit Outlet Boxes With Covers

## CPS Series

Cl. I, Div. 1 & 2, Groups C, D  
 Cl. II, Div. 1, Groups E, F, G  
 Cl. II, Div. 2, Groups F, G  
 Cl. III  
 NEMA 7CD,9EFG

Explosionproof  
 Dust-Ignitionproof

3F

### Applications:

CPS series conduit outlet boxes are installed in conduit systems in hazardous areas to:

- Protect conductors in threaded rigid conduit
- Act as pull and splice boxes
- Change conduit direction
- Interconnect lengths of conduit
- Act as fixture hangers with hub covers
- Provide access to conductors for maintenance and future system changes

### Features:

CPS conduit outlet boxes have:

- Two types of cover:
  - blank for splice or pull box use
  - threaded hub for mounting light fixtures
- Wide, accurately machined body and cover mating surfaces, to insure flamtight joint
- Blind tapped holes for cover screws to further insure flamtightness
- Removable mounting feet for flush or surface mounting to wall or ceiling

### Certifications and Compliances:

- NEC/CEC
  - Class I, Division 1 & 2, Groups C, D
  - Class II, Division 1, Groups E, F, G
  - Class II, Division 2, Groups F, G
  - Class III
- UL Standard: 1203
- CSA Standard C22.2 No. 30

### Standard Materials:

- Feraloy® iron alloy

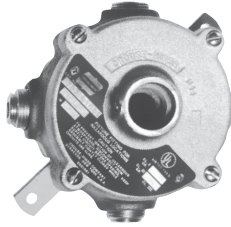
### Standard Finishes:

- Electrogalvanized and aluminum acrylic paint

### Options:

Description	Suffix
Corro-free™ epoxy powder coat	S752

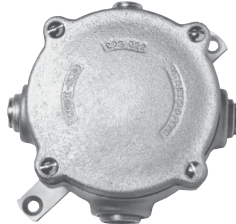
### Box with Hub Cover



Hub Size	Cover	Cat. #
3/4	1/2	CPS12021
3/4	3/4	CPS12022

‡Furnished with four 3/8" standard taper tapped, integrally bushed hubs. Three hubs are plugged.

### Box with Blank Cover



Hub Size	Cat. #
3/4	CPS12026

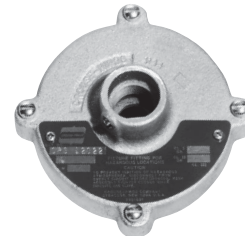
### CPS Covers



#### Blank Covers

Description	Cat. #
Form 20	CPS026

#### Hub Covers\*

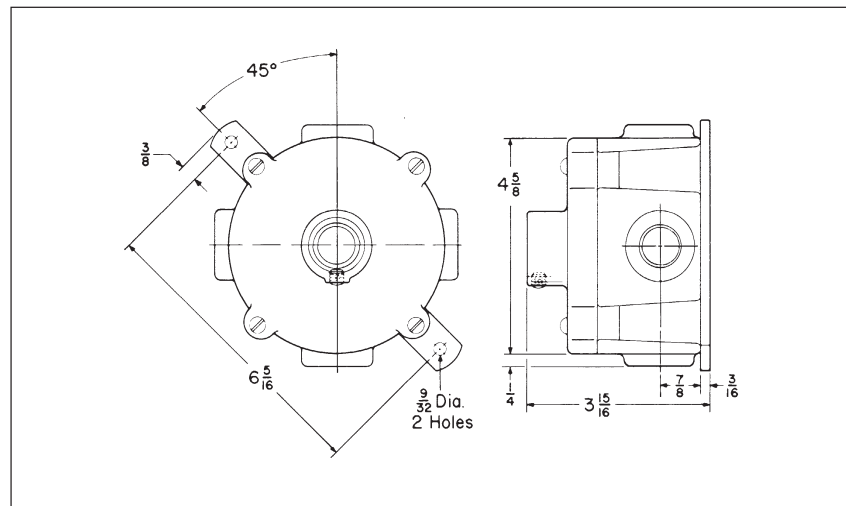


Description	Hub Size	Cat. #
Form 20	1/2	CPS021
Form 20	3/4	CPS022

\*Fixture weight up to 125 lbs.

### Dimensions

In Inches:



Complete line of fixture hangers are located in section 7L of this catalog.