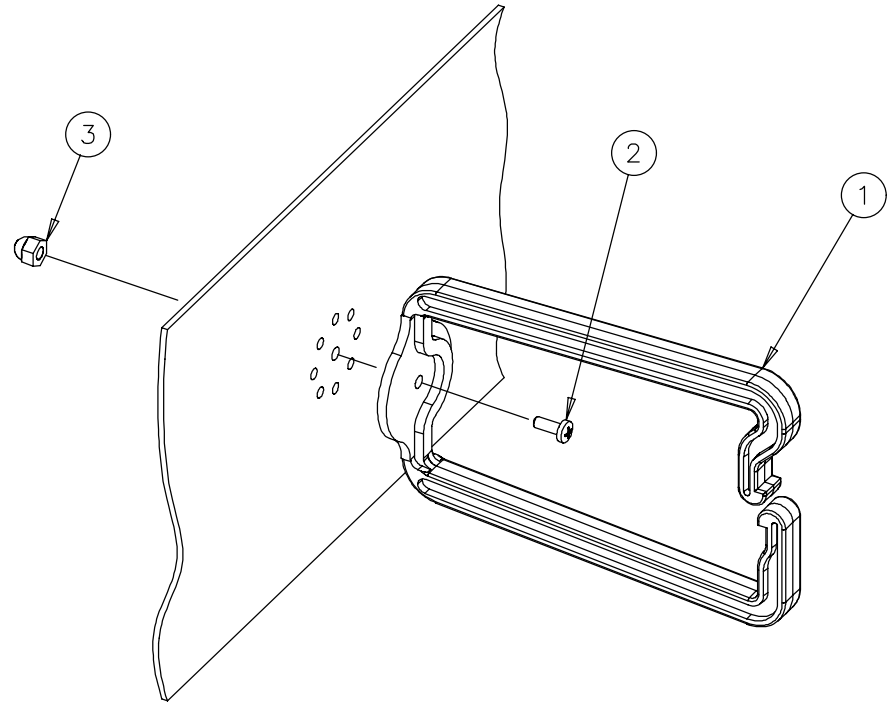


A Pentair Company

Cable Ring
Anneau De Câble
Anillo Del Cable



Hoffman Enclosures Inc.
 2100 Hoffman Way
 Anoka, MN 55303-1745
 (763) 422-2211
www.hoffmanonline.com

Pentair Electronic Packaging
 170 Commerce Drive
 Warwick, RI 02886
 (401) 732-3770
www.pentair-ep.com

Mexico
 Pentair Enclosures, S. de R.L. de C.V.
 Federico T. de la Chica No. 8 Piso 4 A
 Circuito Comercial Plaza Satélite
 Ciudad Satélite,
 Naucalpan, México C.P. 53100
 011-52-55-5393-8263

Canada
 Hoffman-Schroff
 111 Grangeway Avenue, Suite 504
 Scarborough, Ontario M1H 3E9
 (416) 289-2770
 1-800-668-2500 (Canada only)

Germany
 Schroff GmbH
 Langenlaiber Str. 96-100
 75334 Straubenhardt
 49 (07082) 794-0 www.schroff.de

Great Britain
 Schroff UK Ltd.
 Maylands Avenue
 Hemel Hempstead, Herts HP2 7DE
 44 (01442) 240471 www.schroff.co.uk

Sweden
 Schroff Scandinavia AB
 Box 2003
 12821 Skarpnäck
 46 08683 61 00 www.schroff.se

France
 Schroff Sas
 Z.I., 4 rue du Marais
 67660 Betschdorf
 33 03 88 90 64 90 www.schroff.fr

Italy
 Schroff srl
 Viale Milano, 119
 21013 Gallarate (Varese)
 39 0331 79 40 03

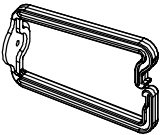
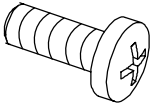
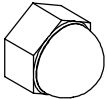
Singapore
 Hoffman-Schroff Pte. Ltd.
 #01-68/71 German Centre
 25 International Business Park
 Singapore 609916
 65 5 62-78 90

Japan
 Schroff K.K.
 Nisso No. 13 Bldg. 4F
 2-5-1 Shinyokohama
 Kohoku-Ku, Yokohama shi
 Kanagawa 222-0033
 81 (045) 476-02 81

Finland
 Schroff Scandinavia AB
 Peräsementie 8
 03100 Nummela
 358 09 222 88 00

Norway
 Schroff Scandinavia AB
 Bjoernerudveien 24
 1266 Oslo
 47 022 76 33 60

Rev. A 010141

1		(10X)
2		6-32X.38
3		6-32
		(10X)