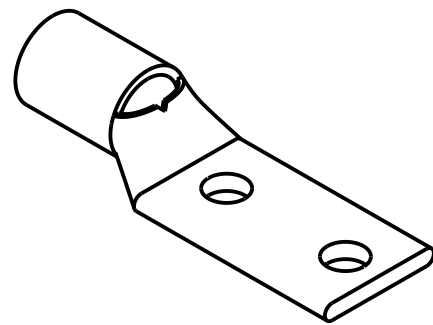
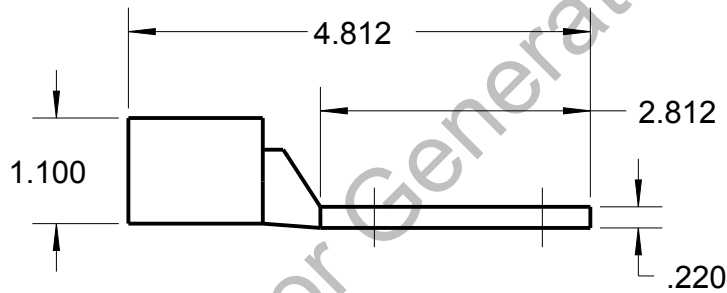
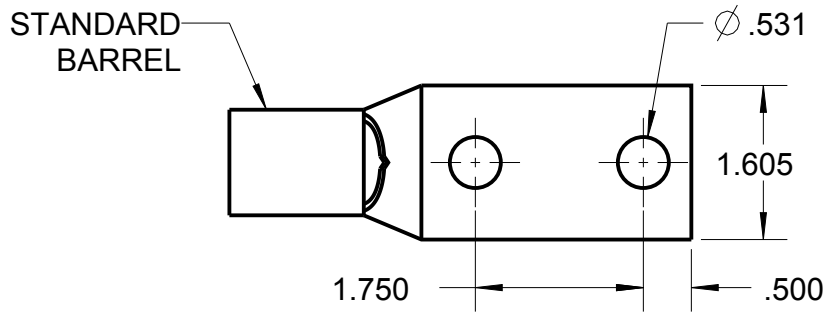


# Blackburn Compression

Featuring the Color-Keyed® System

CATALOG NO. 54286PFNM



WIRE SIZE: 350 WELD, 400 WELD, 500 MCM  
 MATERIAL: HIGH CONDUCTIVITY COPPER  
 FINISH: PLAIN (NO) FINISH

GENERAL NOTES		<b>Thomas &amp; Betts</b> www.tnb.com			
1. ALL DIMENSIONS ARE FOR REFERENCE ONLY. 2. DIMENSIONS IN BRACKETS [ ] ARE IN METRIC UNITS.					
REVISIONS		DESCRIPTION: 2 HOLE LUG			
** SEE ERN (****) FOR APPROVAL SIGNATURES & RELEASE DATE. PROJECT NO: ****		ORIGINAL PROJECT NO / (ERN NO)	SHEET NO:	REV. NO:	DRAWING NO: WSD-002978
		/ ( )	1 OF 1	0	54286PFNM