


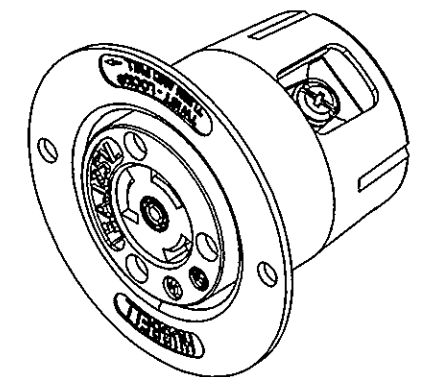
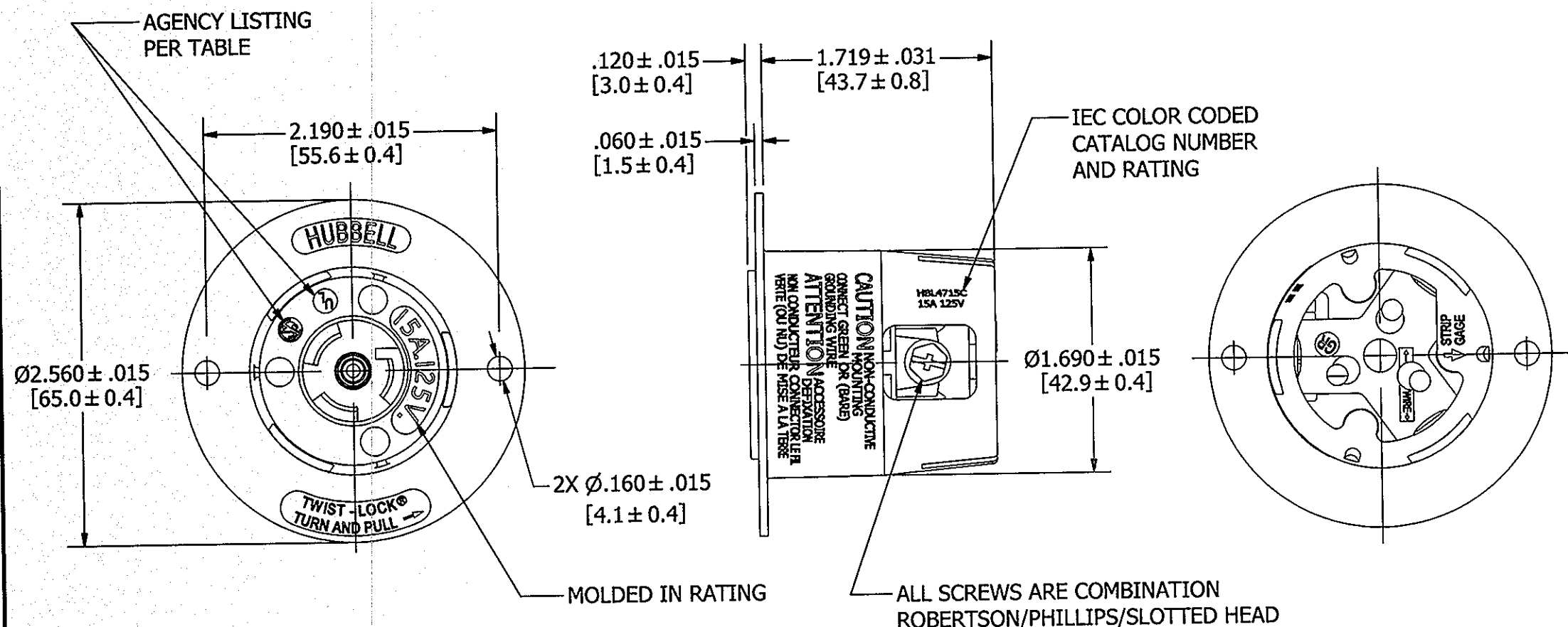


M-7148

8

CAT. NO.	CONFIGURATION	RATING	IEC COLOR RATING	UL	CSA
HBL4715C	NEMA L5-15R 	15A 125V	YELLOW	YES	YES
HBL4585C	NEMA L6-15R 	15A 250V	BLUE	YES	YES
HBL4785C	NEMA L7-15R 	15A 277VAC	GRAY	YES	YES

LIST OF PARTS		
DESCRIPTION	MATERIAL	FINISH
BODY	NYLON	NATURAL
RETAINER	POLYCARBONATE	CLEAR
CASING	NYLON	NATURAL
WIRE CLAMP	.062 CRS	NICKEL PL
BINDING PLATE	.031 BRONZE	
CONTACT SPRING		
INNER SPRING	.031 BRONZE	
BINDING SCREW	BRASS	*
GROUND HEX HEAD BINDING SCREW	BRASS	GREEN
MTG. SCREWS	BRASS	NICKEL PL
ASSEM FASTENERS	STEEL	ZINC PL
CAUTION LABEL	VINYL	YELLOW



CATALOG NO. HBL4715C (NOT SHOWN TO SCALE)

8	REDRAWN WITH EMBEDDED CAD MODEL WITH NO CHANGES TO PART GEOMETRY. PER DCN 21895 SPN	DJP	2/5/16
REV	DESCRIPTION	APP	DATE

THE DESIGN AND DIMENSIONS OF THE PRODUCT SHOWN ON THIS DRAWING ARE SUBJECT TO CHANGE WITHOUT NOTICE

TITLE
INSULGRIP® 2 POLE 3 WIRE GROUNDING TWIST-LOCK® FLANGED OUTLETS

TOLERANCES UNLESS OTHERWISE SPECIFIED	WIRING DEVICE-KELLEMS HUBBELL INCORPORATED SHELTON, CT			
.XX = ± .01	DR. BY	RCM	APP. BY	VFL
.XXX = ± .005	TR. BY		SCALE	1:1
ANGLES = ± 2'	CHK. BY		DATE	7/14/93

- NOTES:
- DIMENSIONS ARE IN INCHES [mm].
 - * WHITE FINISH ON NEUTRAL PARTS WHEN USED.

DIMENSION SHEET FOR CAT. NO. **SEE TABLE**
 REPAIRABLE NON-REPAIRABLE
B
M-7148
8