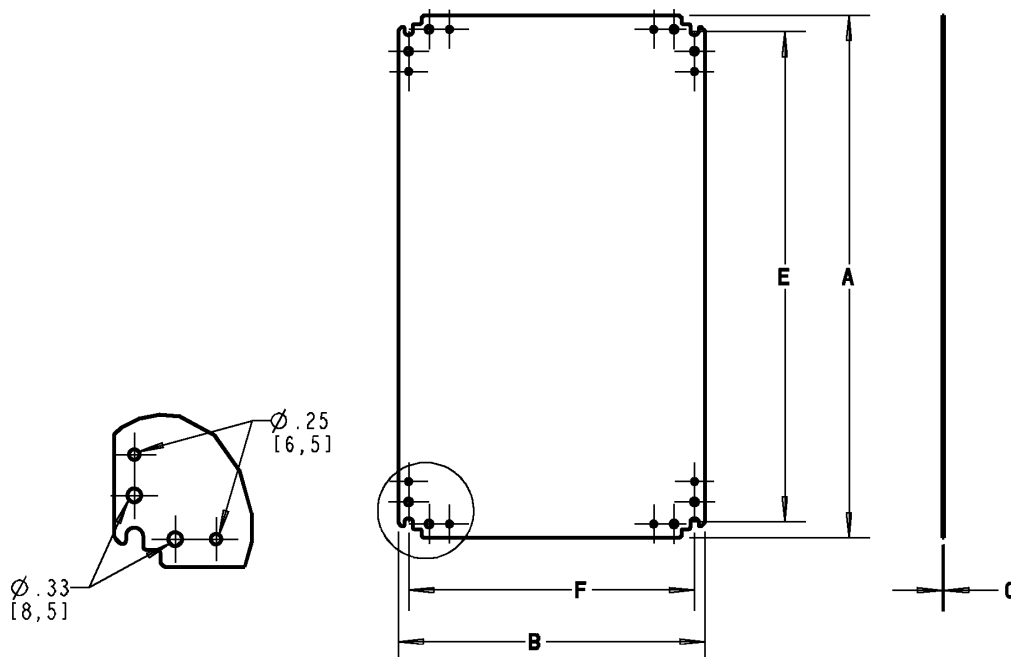


# Carlton®



**NOTES:**

- 1.) MAX LOAD = 30 LBS/SQ FT
- 2.) LARGE SIZE PANELS LA40402BP, LA40502BP AND LA50402BP SIDES FOLD-UP .50 (12.5) FOR REINFORCEMENT.

PART NUMBER	FITS CABINET (HLA & HLS)	NO. OF DOORS	A	B	C	E	F	WEIGHT lbs (Kg)
LA2020BP	HL*2020	1	15.3 [390]	14.7 [375]	.078 [2]	13.8 [350]	13.8 [350]	5.5 [2.5]
LA3020BP	HL*2030 HL*3020	1	25.2 [640]	14.7 [375]	.078 [2]	23.6 [600]	13.8 [350]	8.4 [3.8]
LA3030BP	HL*3030	1	25.2 [640]	24.6 [625]	.098 [2.5]	23.6 [600]	23.6 [600]	17.2 [7.8]
LA4020BP	HL*4020	1	35.0 [890]	14.7 [375]	.098 [2.5]	33.5 [850]	13.8 [350]	14.3 [6.5]
LA4030BP	HL*4030	1	35.0 [890]	24.6 [625]	.098 [2.5]	33.5 [850]	23.6 [600]	23.8 [10.8]
LA5020BP	HL*5020	1	44.3 [1125]	14.7 [375]	.098 [2.5]	43.3 [1100]	13.8 [350]	19.0 [8.6]
LA5030BP	HL*5030	1	44.3 [1125]	24.6 [625]	.098 [2.5]	43.3 [1100]	23.6 [600]	31.3 [14.2]

**GENERAL NOTES**

1. ALL DIMENSIONS ARE FOR REFERENCE ONLY.
2. DIMENSIONS IN BRACKETS [ ] ARE IN METRIC UNITS.

**REVISIONS**

\*\* SEE ERN ( \*\*\*\* ) FOR APPROVAL SIGNATURES & RELEASE DATE.  
PROJECT NO: \*\*\*\*

**Thomas & Betts**  
www.tnb.com

DESCRIPTION: **HLA & HLS METAL BACK PANELS**

ORIGINAL PROJECT NO / ( ERN NO )	SHEET NO:	REV. NO:	DRAWING NO:
/ ( )	1 OF 4	C	WSD-AC04114

THIS DRAWING IS INTENDED FOR DESCRIPTIVE PURPOSES ONLY, AND THE RIGHT IS RESERVED TO DEVIATE FROM ANY OF THE DETAILS SHOWN HEREON.  
© 2008 Thomas & Betts - Proprietary, All Rights Reserved

HLA & HLS METAL BACK PANELS

RG 3/5/02

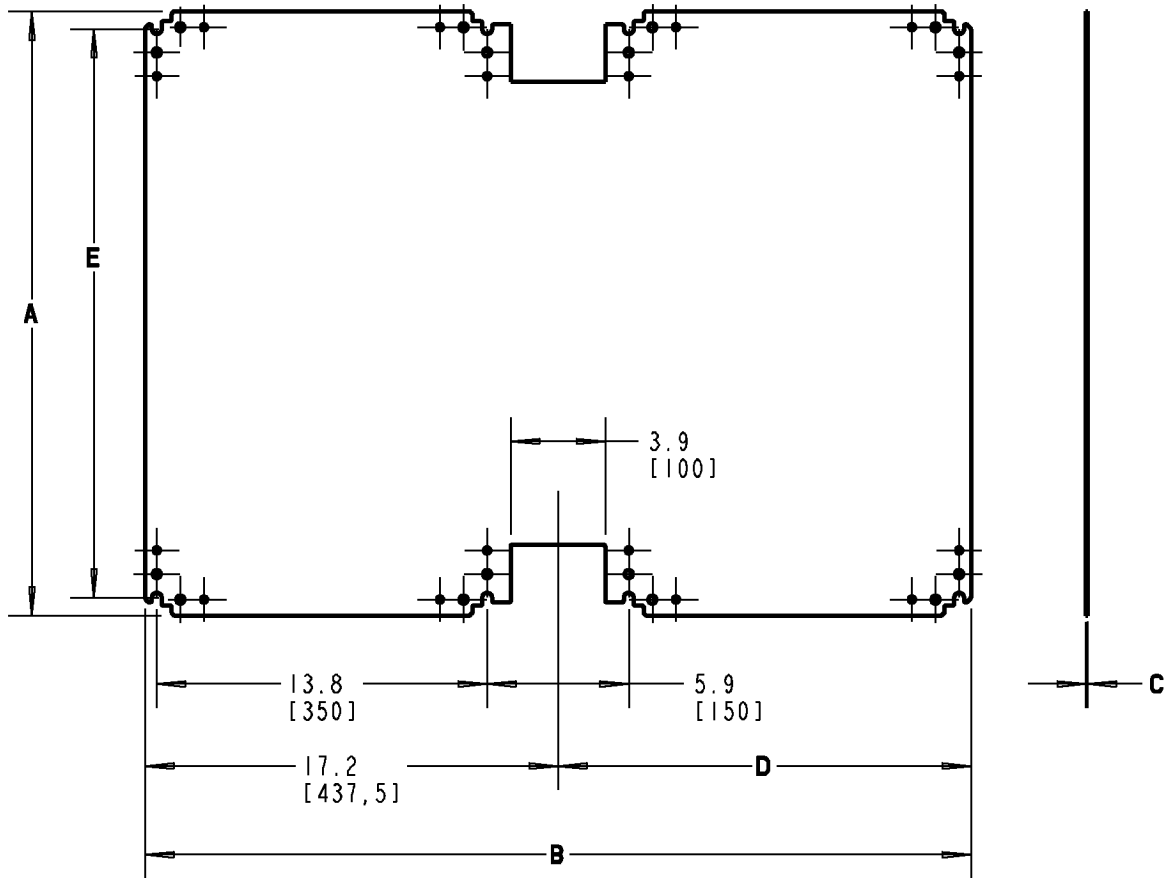
SEE CHART

GDT 3/5/02

AC04114  
SHT. 1 OF 2

B

# Carlton®



**NOTES:**

- 1.) MAX LOAD = 30 LBS/SQ FT
- 2.) LARGE SIZE PANELS LA40402BP, LA40502BP AND LA50402BP SIDES FOLD-UP .50 (12.5) FOR REINFORCEMENT.

PART NUMBER	FITS CABINET (HLA & HLS)	NO. OF DOORS	A	B	C	D	E	WEIGHT lbs (Kg)
LA30402BP	HL*30402	2	25.2 [640]	34.4 [875]	.098 [2.5]	17.2 [438]	23.6 [600]	23.4 [10.6]
LA40402BP	HL*40402	2	35.0 [890]	34.4 [875]	.098 [2.5]	17.2 [438]	33.5 [850]	33.1 [15]
LA40502BP	HL*40502	2	35.0 [890]	44.3 [1125]	.098 [2.5]	27.1 [688]	33.5 [850]	42.5 [19.3]
LA50402BP	HL*50402	2	44.3 [1125]	34.4 [875]	.098 [2.5]	17.2 [438]	43.3 [1100]	42.8 [19.4]

**Thomas & Betts**  
www.tnb.com

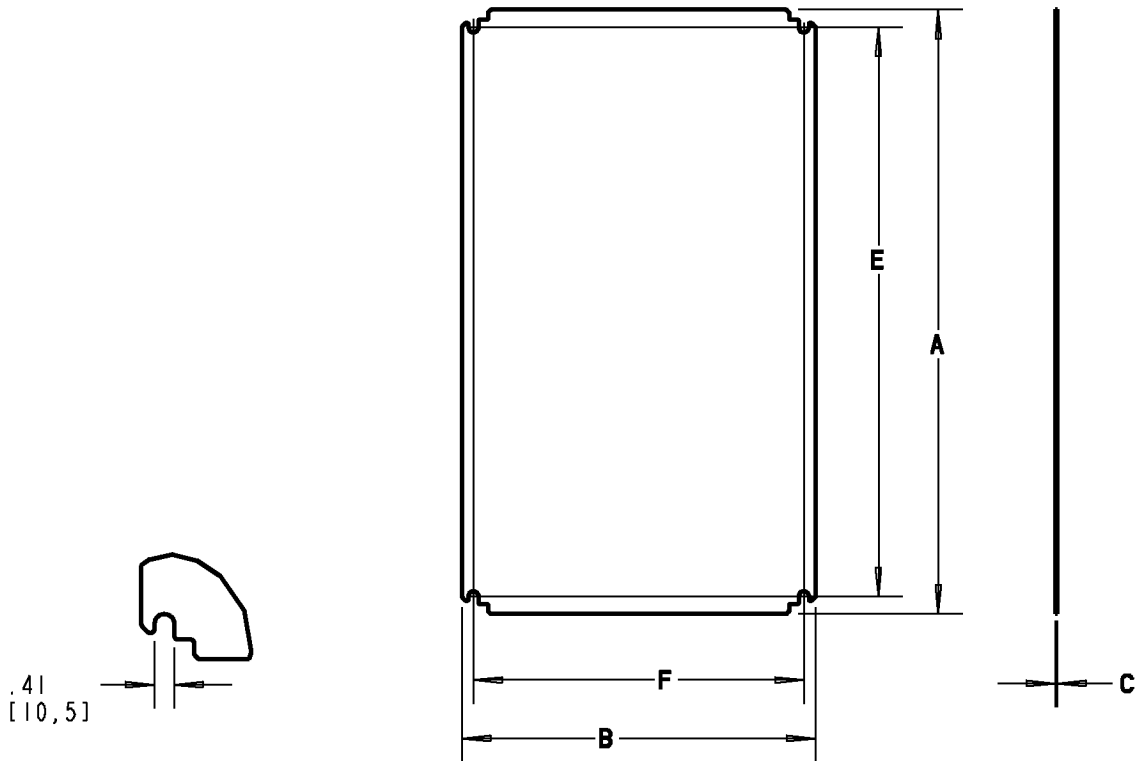
DESCRIPTION: **HLA & HLS METAL BACK PANELS**

SHEET NO:  
**2 OF 4**

REV. NO:  
**C**

DRAWING NO:  
**WSD-AC04114**

# Carlton®



**NOTES:**

- 1.) MAX LOAD = 30 LBS/SQ FT
- 2.) MATERIAL: THERMOSET PLASTIC

PART NUMBER	FITS CABINET (HLA & HLS)	NO. OF DOORS	A	B	C	E	F	WEIGHT lbs (Kg)
LP2020BP	HL#2020	1	15.3 [390]	14.7 [375]	.078 [2]	13.8 [350]	13.8 [350]	5.5 [2.5]
LP3020BP	HL#2030 HL#3020	1	25.2 [640]	14.7 [375]	.078 [2]	23.6 [600]	13.8 [350]	8.4 [3.8]
LP3030BP	HL#3030	1	25.2 [640]	24.6 [625]	.098 [2.5]	23.6 [600]	23.6 [600]	17.2 [7.8]
LP4020BP	HL#4020	1	35.0 [890]	14.7 [375]	.098 [2.5]	33.5 [850]	13.8 [350]	14.3 [6.5]
LP4030BP	HL#4030	1	35.0 [890]	24.6 [625]	.098 [2.5]	33.5 [850]	23.6 [600]	23.8 [10.8]
LP5020BP	HL#5020	1	44.3 [1125]	14.7 [375]	.098 [2.5]	43.3 [1100]	13.8 [350]	19.0 [8.6]
LP5030BP	HL#5030	1	44.3 [1125]	24.6 [625]	.098 [2.5]	43.3 [1100]	23.6 [600]	31.3 [14.2]

**Thomas & Betts**  
www.tnb.com

DESCRIPTION:

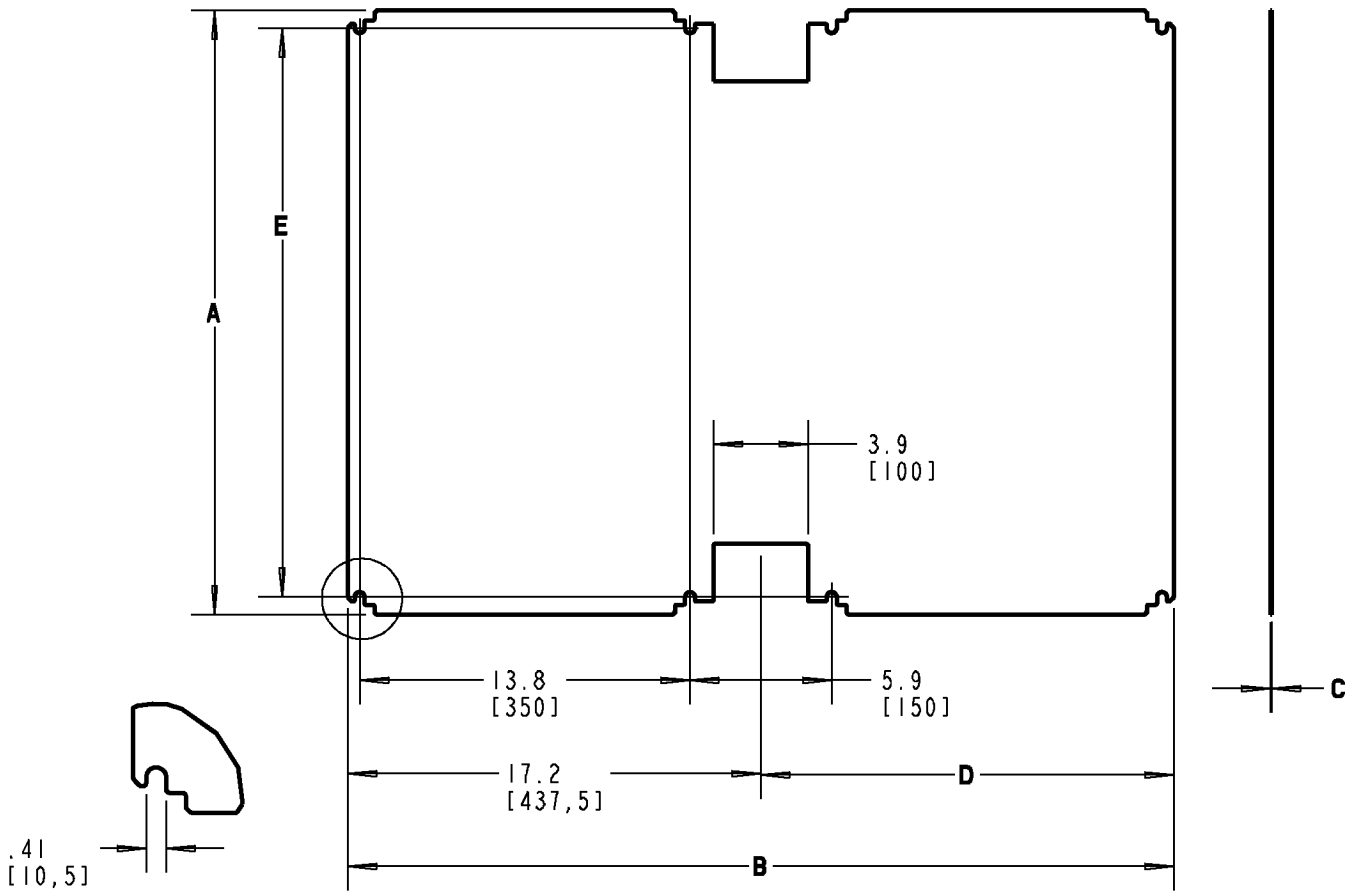
**HLA & HLS NON-METALLIC  
BACK PANELS**

SHEET NO:  
**3 OF 4**

REV. NO:  
**C**

DRAWING NO:  
**WSD-AC04114**

# Carlton®



**NOTES:**

- 1.) MAX LOAD = 30 LBS/SQ FT
- 2.) MATERIAL: THERMOSET PLASTIC

PART NUMBER	FITS CABINET (HLA & HLS)	NO. OF DOORS	A	B	C	D	E	WEIGHT lbs (Kg)
LP30402BP	HL*30402	2	25.2 [640]	34.4 [875]	.098 [2.5]	17.2 [438]	23.6 [600]	23.4 [10.6]
LP40402BP	HL*40402	2	35.0 [890]	34.4 [875]	.098 [2.5]	17.2 [438]	33.5 [850]	33.1 [15]
LP40502BP	HL*40502	2	35.0 [890]	44.3 [1125]	.098 [2.5]	27.1 [688]	33.5 [850]	42.5 [19.3]
LP50402BP	HL*50402	2	44.3 [1125]	34.4 [875]	.098 [2.5]	17.2 [438]	43.3 [1100]	42.8 [19.4]

**Thomas & Betts**  
www.tnb.com

DESCRIPTION: **HLA & HLS NON-METALLIC BACK PANELS**

SHEET NO:  
**4 OF 4**

REV. NO:  
**C**

DRAWING NO:  
**WSD-AC04114**