

CLAMP COVER, TYPE 4

INDUSTRY STANDARDS

UL 50, 50E Listed; Type 4, 12, 13; File No. E27525
 cUL Listed per CSA C22.2 No. 94; Type 4, 12, 13; File No. E27525
 UL 508A Listed; Type 4, 12, 13; File No. E61997
 cUL Listed per CSA C22.2 No. 94; Type 4, 12, 13; File No. E61997

NEMA/EEMAC Type 4, 12, 13
 CSA, File No. 42184: Type 4, 12
 IEC 60529, IP66

APPLICATION

Clamps on all four sides securely close this enclosure to protect components in indoor or outdoor applications, yet are easy to remove for access and modifications.

SPECIFICATIONS

- 16 or 14 gauge steel
- Seams continuously welded and ground smooth
- Stainless steel screw-down clamps on four sides of door
- Bonding provision on cover
- Oil-resistant gasket
- Weldnuts provided for mounting optional panels and terminal block kits in size 6.00 x 4.00 in. (152 x 102 mm) and larger
- External welded-on mounting brackets for easy installation

FINISH

ANSI 61 gray polyester powder paint inside and out

ACCESSORIES

See also Accessories.

Fast-Operating Clamp-Cover Junction Box Clamp Panels for Junction Boxes

Junction Box and Wall-Mount Enclosure Swing Out Panel Kit
 Terminal Block Kit Assembly for Junction Boxes

MODIFICATION AND CUSTOMIZATION

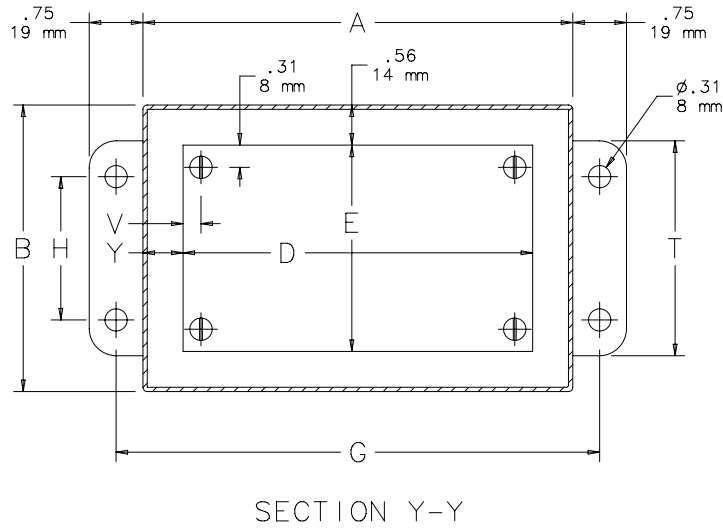
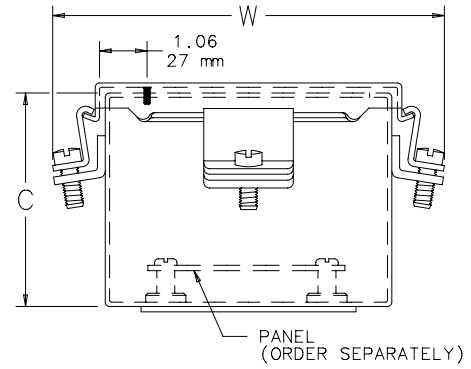
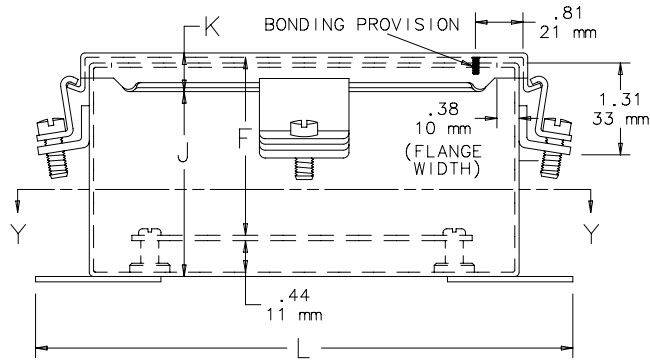
Hoffman excels at modifying and customizing products to your specifications. Contact your local Hoffman sales office or distributor for complete information.

BULLETIN: A51NF

Standard Product

Catalog Number	AxBxC in./mm	UL Listed	Gauge	Panel	Conductive Panel	Panel Size D x E in./mm	Mounting G x H in./mm	Overall L x W in./mm	F in./mm	J in./mm	K in./mm	M in./mm	N in./mm	T in./mm	V in./mm	Y in./mm
A404NF	4.00 x 4.00 x 3.00 102 x 102 x 76	508A	16	No Panel	No Panel	No Panel	4.75 x 2.00 121 x 51	5.50 x 5.38 140 x 137	—	2.62 66	0.54 14	1.38 35	1.38 35	3.00 76	—	—
A604NF	6.00 x 4.00 x 3.00 152 x 102 x 76	508A	16	A6P4	A6P4G	4.88 x 2.88 124 x 73	6.75 x 2.00 171 x 51	7.50 x 5.38 191 x 137	2.53 64	2.62 66	0.54 14	1.38 35	2.38 60	3.00 76	0.31 8	0.56 14
A806NF	8.00 x 6.00 x 3.50 203 x 152 x 89	50, 50E	14	A8P6	A8P6G	6.75 x 4.88 171 x 124	8.75 x 4.00 222 x 102	9.50 x 7.38 241 x 187	3.03 77	3.12 79	0.56 14	2.38 60	3.38 86	5.00 127	0.25 6	0.62 16
A606NF	6.00 x 6.00 x 4.00 152 x 152 x 102	50, 50E	16	A6P6	A6P6G	4.88 x 4.88 124 x 124	6.75 x 4.00 171 x 102	7.50 x 7.38 191 x 187	3.53 90	3.62 92	0.54 14	2.38 60	2.38 60	5.00 127	0.31 8	0.56 14
A1008NF	10.00 x 8.00 x 4.00 254 x 203 x 102	50, 50E	14	A10P8	A10P8G	8.75 x 6.88 222 x 175	10.75 x 6.00 273 x 152	11.50 x 9.38 292 x 238	3.53 90	3.62 92	0.56 14	3.38 86	1.50 38	7.00 178	0.25 6	0.62 16
A1210NF	12.00 x 10.00 x 5.00 305 x 254 x 127	50, 50E	14	A12P10	A12P10G	10.75 x 8.88 273 x 225	12.75 x 8.00 324 x 203	13.50 x 11.38 343 x 289	4.53 115	4.62 117	0.56 14	2.00 51	3.00 76	9.00 229	0.25 6	0.62 16
A1412NF	14.00 x 12.00 x 6.00 356 x 305 x 152	50, 50E	14	A14P12	A14P12G	12.75 x 10.88 324 x 276	14.75 x 10.00 375 x 254	15.50 x 13.38 394 x 340	5.53 140	5.62 143	0.56 14	2.00 51	3.00 76	11.00 279	0.25 6	0.62 16
A1614NF	16.00 x 14.00 x 6.00 406 x 356 x 152	50, 50E	14	A16P14	A16P14G	14.75 x 12.88 375 x 327	16.75 x 12.00 425 x 305	17.50 x 15.38 445 x 391	5.53 140	5.62 143	0.56 14	3.50 89	1.50 38	13.00 330	0.25 6	0.62 16

Purchase panels separately. Optional stainless steel, conductive, composite and aluminum panels are available for most sizes.



Clamp Bracket Locations

