

BALDOR® • ***RELIANCE***

Product Information Packet

GPP12541

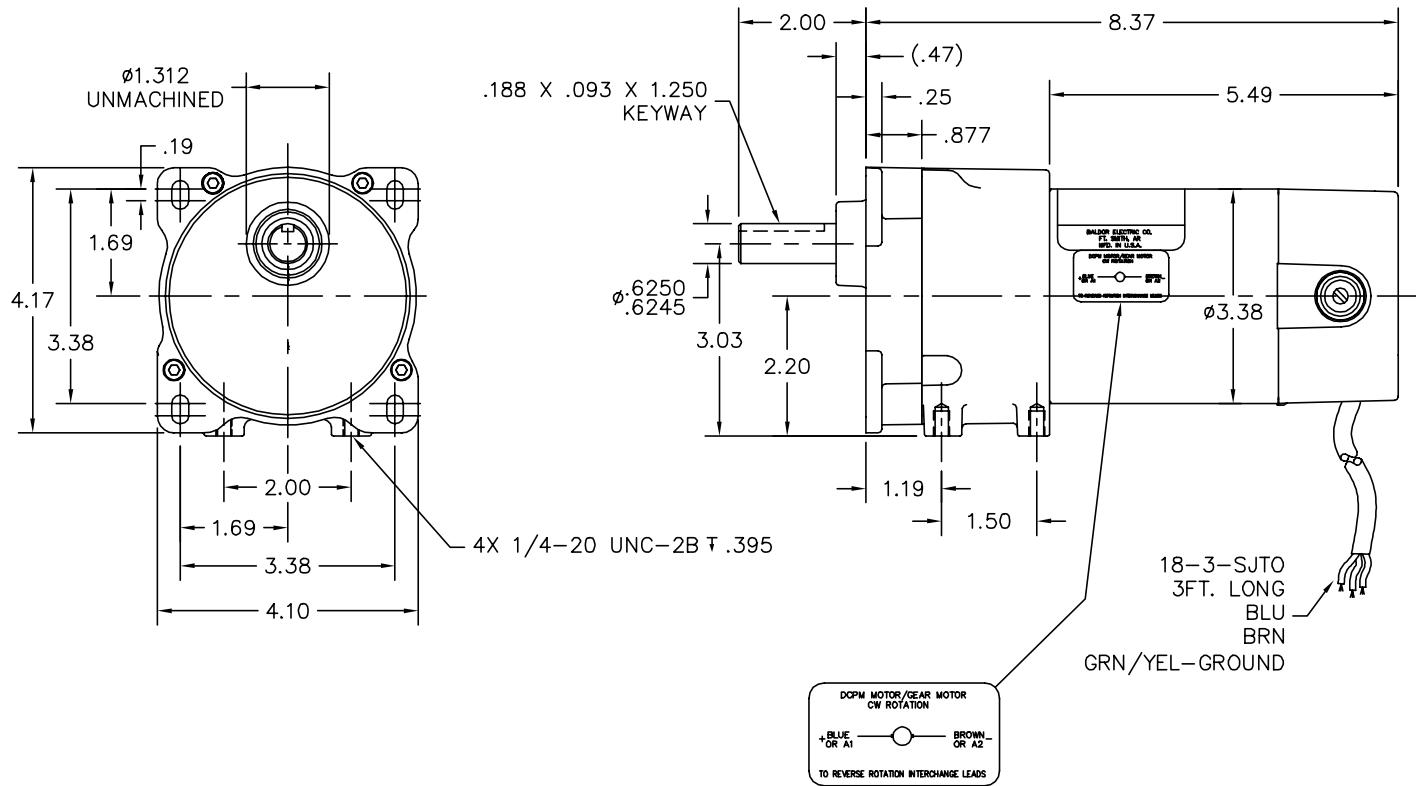
.13HP,DC,PSM-0,2416P,TENV,F1

Part Detail							
Revision:	Y	Status:	PRD/A	Change #:		Proprietary:	No
Type:	DC	Prod. Type:	2416P	Elec. Spec:	24WGZ026	CD Diagram:	CD1899
Enclosure:	TENV	Mfg Plant:		Mech. Spec:		Layout:	24A099Z026G2
Frame:		Mounting:		Poles:	00	Created Date:	
Base:		Rotation:	R	Insulation:	F	Eff. Date:	06-02-2015
Field Type:		Literature:		Elec. Diagram:		Replaced By:	

Specs			
Enclosure:	TENV		
Gearhead Type:	PARALLEL SHAFT		
Gear Ratio:	10:1		
Gear Style:	PSM		
Mounting Arrangement:	0.000		
Product Family:	General Purpose		

Nameplate NP1220A08	
CAT.NO.	GPP12541
SER.NO.	
SPEC.	24A099Z026G2
FRAME	PSM TYPE 2416P
HP	.13 TE
VOLTS	90DC
AMP	1.35
F.F.	1.56 CLASS F
AMB.	40 DUTY CONT
BRUSHES	2/BP5052BP01
R.P.M.	250
TORQ/IN LB	30
RATIO	10:1
APRV-CE	<input type="checkbox"/> APRV-CUL <input type="checkbox"/>

24A099Z026G2



CUSTOMER IS RESPONSIBLE FOR DETERMINING THAT MOTOR PERFORMANCE IS SUITABLE IN THE APPLICATION.

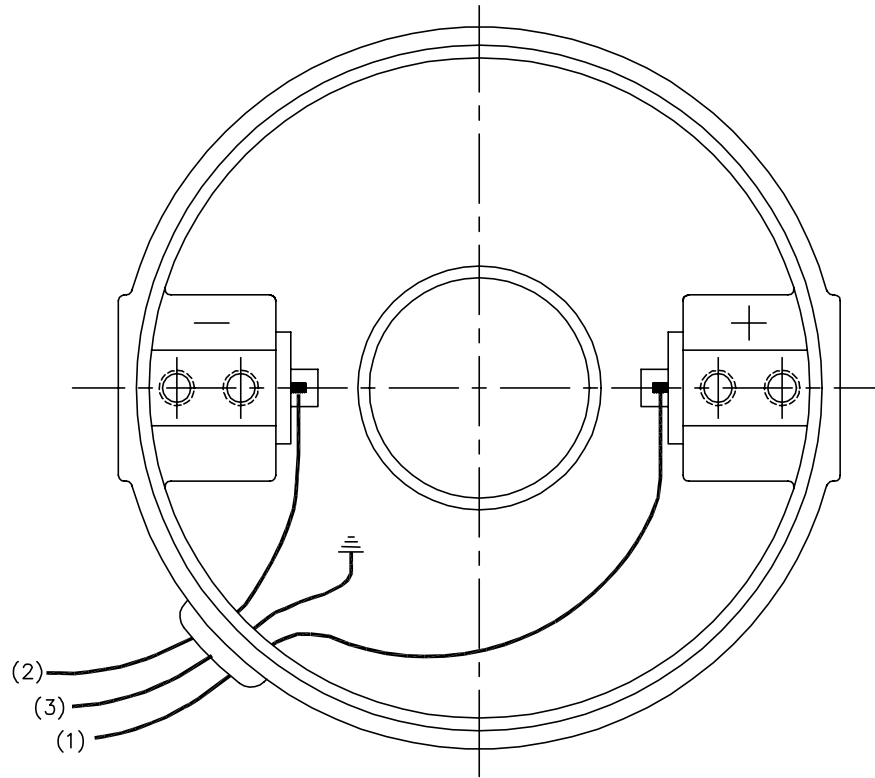
REV. DESC: REMOVE LABELS ON LEADS		
REV. LTR: D	VERSION: 04	TDR: 000000417399
Z99Z0Z660V7Z	FILE: \CKA\00021\621	REVISED: 08: 47: 39 12/19/2006
	MTL: -	BY: CKMARD0

BALDOR ELECTRIC Co.

LY,24DC PSM DOM TENV

24A099Z026G2

CD1899



(1) COLOR MAY BE
RED
WHT
BLU

(2) COLOR MAY BE
BLK
BRN

(3) COLOR WHEN REQ.
GRN
GRN/YEL

VIEWED FROM
DRIVE END

REV. DESC: NEW			
REV. LTR: -	BY: PAW	REVISED: 09:06:34 09/16/2004	TDR: 341564
668100		FILE: CKA00025830	REF: CD1899
		MTL: -	

BALDOR ELECTRIC Co.

PM,2LD,REV,TANG,CK

CD1899