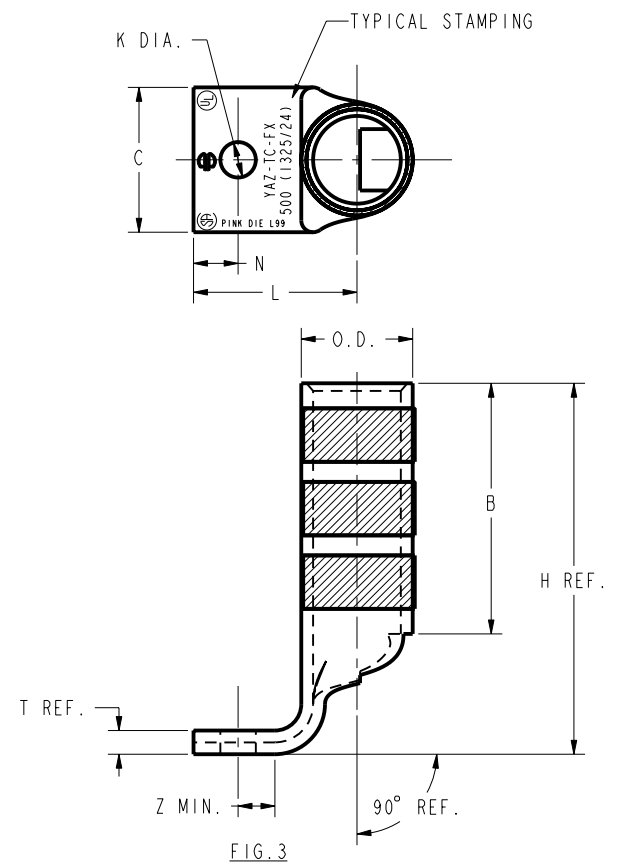
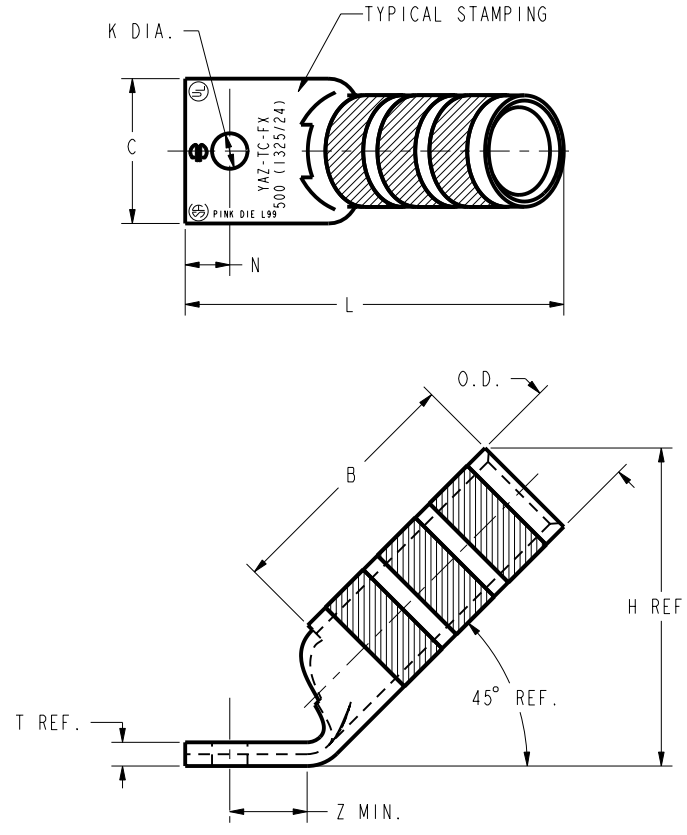
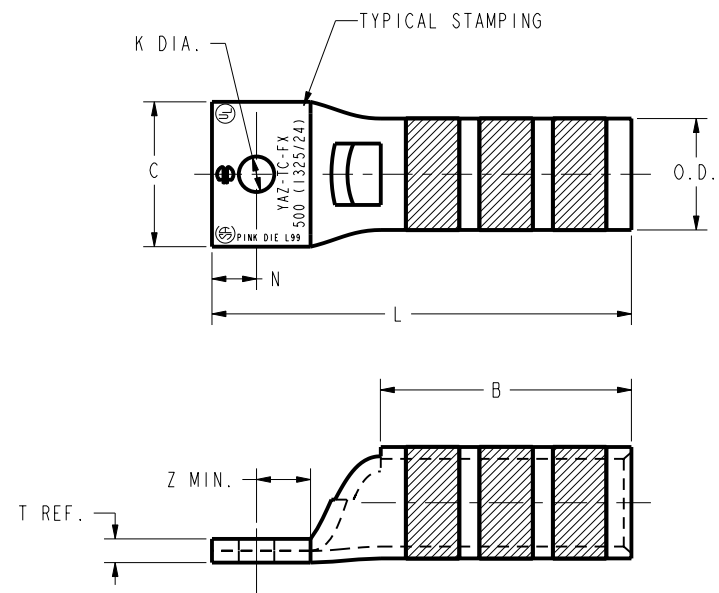


CATALOG NO.	CONDUCTOR		BOLT SIZE	FIG. NO.	DIMENSIONS								INSTALLATION TOOLING (# CRIMPS)											
	FLEX	CODE (AWG)			B	C	H	K DIA.	L	N	O.D.	T REF.	Z MIN.	DIE INDEX	COLOR CODE	Y750, Y35 PAT35, PAT750 Y39, PAT750	Y46	Y45	DIELESS (# CRIMPS)	WIRE STRIP LENGTH				
YAZ38NT38FX	535.3 kcmil 1325/24 (500 kcmil FLEX)	--	3/8 [M10]	1	2.81 [71]	1.62 [41]	--	.40 [10]	4.71 [120]	.50 [13]	1.25 [32]	.27 [7]	.52 [13]	L99	PINK	U38XRT UR4140WE (4)	U38XRT UR4140WE (4)	U38XRT UR4140WE (4)	HYDRAULIC: Y644, Y644M PAT644, Y644MBH (1)  Y81K-SERIES (2)	2-7/8				
YAZ38NT38FX45				2			3.57 [91]	4.25 [108]	4.71 [120]															
YAZ38NT38FX90				3			4.16 [106]	1.83 [46]	4.71 [120]															
YAZ38TC38FX				1			--	.40 [10]	4.71 [120]	.50 [13]														
YAZ38TC38FX45				2			3.57 [91]	4.25 [108]	4.71 [120]															
YAZ38TC38FX90				3			4.16 [106]	1.83 [46]	4.71 [120]															
YAZ38NT12FX				1/2 [M12]			1	--	.52 [13]	4.77 [121]											.53 [13]	1.25 [32]	.27 [7]	.55 [14]
YAZ38NT12FX45							2	3.57 [91]	4.31 [109]	4.77 [121]														
YAZ38NT12FX90							3	4.16 [106]	1.90 [48]	4.77 [121]														
YAZ38TC12FX							1	--	.52 [13]	4.77 [121]											.53 [13]			
YAZ38TC12FX45							2	3.57 [91]	4.31 [109]	4.77 [121]														
YAZ38TC12FX90							3	4.16 [106]	1.90 [48]	4.77 [121]														
YAZ38NT58FX	535.3 kcmil 1325/24 (500 kcmil FLEX)	--	5/8 [M16]	1	2.81 [71]	1.84 [47]	--	.69 [18]	5.02 [128]	.66 [17]	1.25 [32]	.27 [7]	.67 [17]	L99	PINK	U38XRT UR4140WE (4)	U38XRT UR4140WE (4)	U38XRT UR4140WE (4)		2-7/8				
YAZ38NT58FX45				2			3.57 [91]	4.56 [116]	5.02 [128]															
YAZ38NT58FX90				3			4.16 [106]	2.15 [55]	5.02 [128]															

REV	DATE	DESCRIPTION	ECO	BY	C'H'K.
C	12/16/2013 11:26:00 AM	DRAWING RELEASED	34098	GV	MB



- NOTES:
- MATERIAL: COPPER TUBING.
  - FINISH: TIN PLATED
  - CATALOG # PT6515 ADAPTOR IS REQUIRED TO USE " U " DIES IN Y45 SERIES TOOLS.
  - CATALOG # PUADP-1 ADAPTOR IS REQUIRED TO USE " U " DIES IN Y46 SERIES TOOLS.
  - DIMENSIONS IN BRACKETS [ ] ARE IN MILLIMETERS. DIMENSIONS ARE ROUNDED OFF TO THE NEAREST MILLIMETER, UNLESS OTHERWISE NOTED, AND ARE FOR REFERENCE ONLY.
  - UL LISTED AND CSA CERTIFIED CONNECTOR.

TO ORDER BURNDY® PRODUCTS CALL  
 UNITED STATES  
 1-800-346-4175 (LONDONDERRY, NH)  
 CANADA:  
 1-800-361-6975 (QUEBEC)  
 1-800-387-6487 (ALL OTHER PROVINCES)  
 FOR PRODUCT INFO: <http://www.burndy.com>

HYLUGS™ (ONE HOLE FLEX)

ITEM NO: --	SCALE: 1:1
CAT. NO: YAZ38- (TABLE)	DRAWING NO: SE212448
DRAWN BY: D. BOISVERT 08/22/00	REV: C
CHECKER: J. MICHAUD 08/28/00	
DSN APPVL: J. MICHAUD 08/21/00	
MFG APPVL: T. THRELFALL --	
QA APPVL: T. WATTS --	
MKT APPVL: J. SYLVIA --	
PROD FAM: CM&R COMPRESSION	
PROJECT #: --	
DOCUMENT TYPE: Sales	
REL LEVEL: Released	

**BURNDY**

REV: PE0200