

BALDOR® • *RELIANCE*

Product Information Packet

GP7400

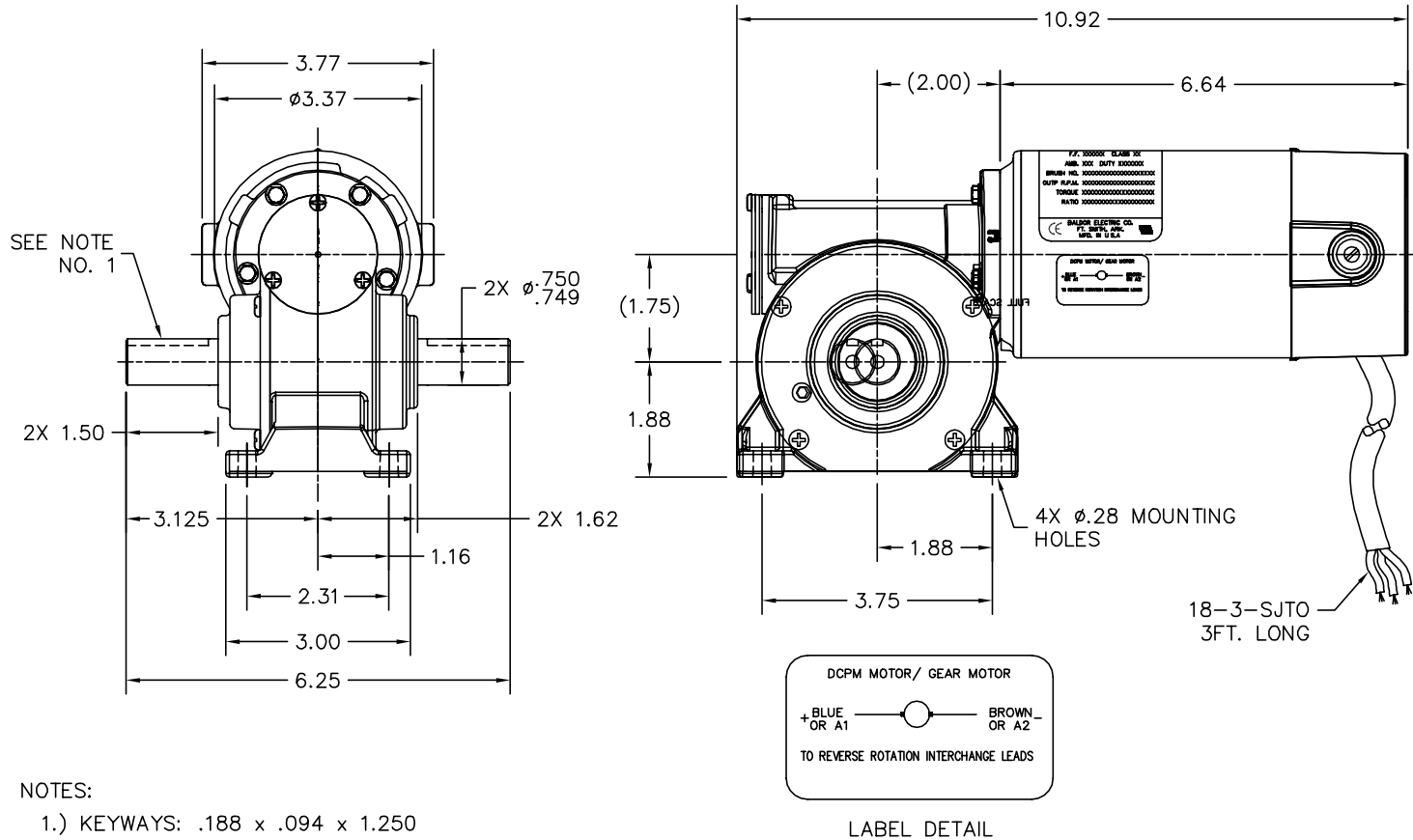
..M. D24JA 90VDC 11:1 GP7400

Part Detail							
Revision:	V	Status:	PRD/A	Change #:		Proprietary:	No
Type:	DC	Prod. Type:	2424P	Elec. Spec:	24WGZ010	CD Diagram:	CD1899
Enclosure:	TENV	Mfg Plant:		Mech. Spec:		Layout:	24A001Z010G6
Frame:		Mounting:		Poles:	00	Created Date:	
Base:		Rotation:	R	Insulation:	F	Eff. Date:	08-20-2016
Field Type:		Literature:		Elec. Diagram:		Replaced By:	

Specs			
Enclosure:	TENV		
Gearhead Type:	RIGHT ANGLE		
Gear Ratio:	11:1		
Gear Style:	JK		
Mounting Arrangement:	0.000		
Product Family:	General Purpose		

Nameplate NP1220A08	
CAT.NO.	GP7400
SER.NO.	
SPEC.	24A001Z010G6
FRAME	JK TYPE 2424P
HP	1/8 TE
VOLTS	90DC
AMP	1.3
F.F.	1.48 CLASS F
AMB.	40 DUTY CONT
BRUSHES	2/BP5052BP01
R.P.M.	173
TORQ/IN LB	32
RATIO	11:1
APRV-CE	<input type="checkbox"/> APRV-CUL <input type="checkbox"/>

24A001Z010G6



NOTES:

- 1.) KEYWAYS: .188 x .094 x 1.250

CUSTOMER IS RESPONSIBLE FOR DETERMINING THAT BALDOR'S PRODUCT WILL PERFORM SUITABLY IN THE INTENDED APPLICATION.

REV. DESC: UPDATE SHAFT EXT TO .750/.749 VH203718333		
REV. LTR: A	VERSION: 01	TDR: 000001039646
FILE: \CKA\00025\804	REVISED: 02: 35: 20 09/22/2017	BY: CKMICRO
MTL: -		

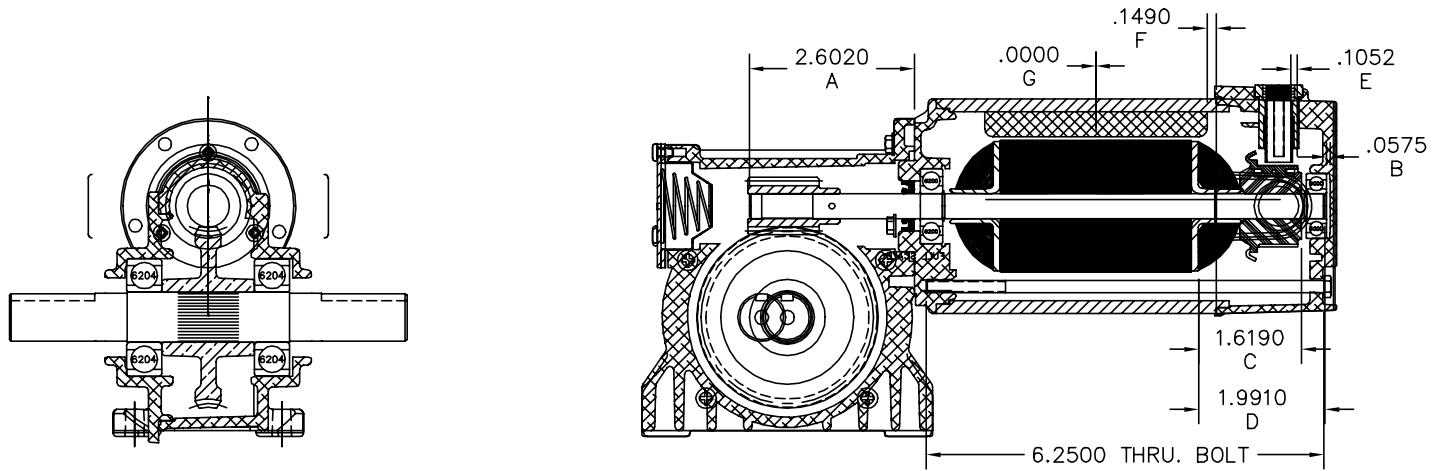
BALDOR

LY,24DC JK DOM TENV

SH 1 of 2

24A001Z010G6

24A001Z010G6



CUSTOMER IS RESPONSIBLE FOR DETERMINING THAT BALDOR'S PRODUCT WILL PERFORM SUITABLY IN THE INTENDED APPLICATION.

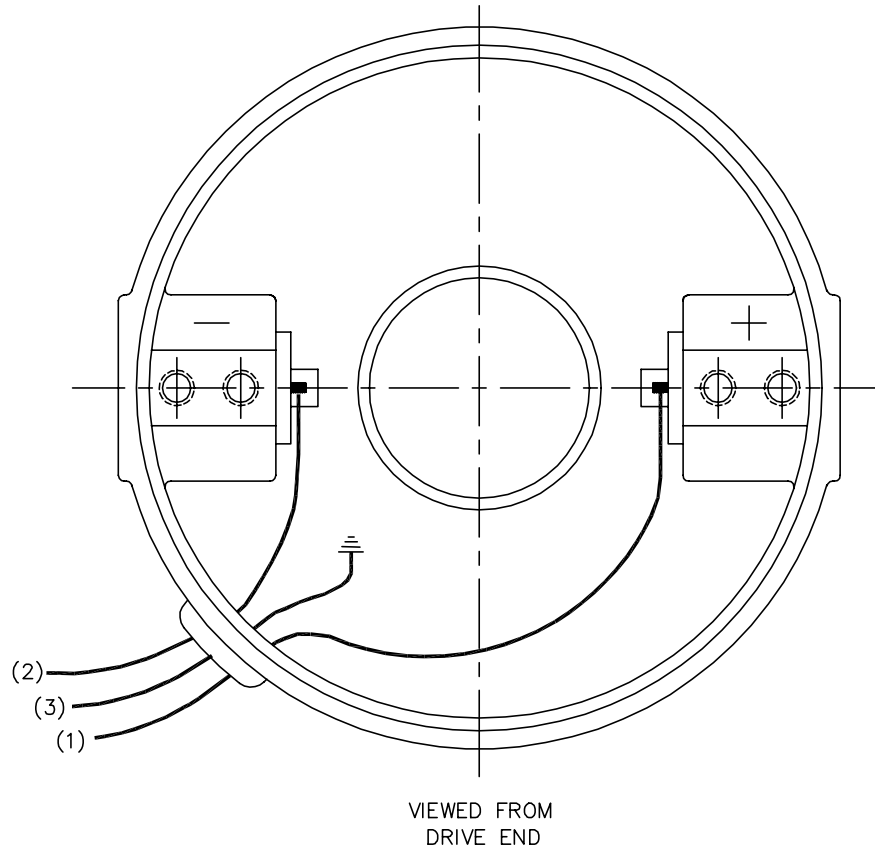
REV. DESC: UPDATE SHAFT EXT TO .750/.749 VH203718333		
REV. LTR: A	VERSION: 01	TDR: 000001039646
FILE: \CKA\00025\804	REVISED: 02: 35: 22 09/22/2017	BY: CKMICRO
MTL: -		

BALDOR

LY,24DC JK DOM TENV
SH 2 of 2

24A001Z010G6

CD1899



(1) COLOR MAY BE
RED
WHT
BLU

(2) COLOR MAY BE
BLK
BRN

(3) COLOR WHEN REQ.
GRN
GRN/YEL

VIEWED FROM
DRIVE END

REV. DESC: NEW			
REV. LTR: -	BY: PAW	REVISED: 09:06:34 09/16/2004	TDR: 341564
668100		FILE: CKA00025830	REF: CD1899
		MTL: -	

BALDOR ELECTRIC Co.

PM,2LD,REV,TANG,CK

CD1899