

CONCEPT CONSOLE, TYPE 4X

INDUSTRY STANDARDS

UL 508A Listed; Type 3R, 4, 4X, 12; File No. E61997
 cUL Listed per CSA C22.2 No 94; Type 3R, 4, 4X, 12; File No. E61997

NEMA Type 3R, 4, 4X, 12, 13
 CSA File No. 42186: Type 4, 4X, 12
 Meets NEMA Type 3RX requirements

APPLICATION

Sloped CONCEPT Consoles provide a convenient surface for mounting and monitoring components. Ergonomically designed so users can sit or stand while working, consoles feature a large internal capacity for mounting components and controls.

SPECIFICATIONS

- 14 gauge Type 304 stainless steel
- Ergonomically designed for sitting or standing operation
- Solid bottom
- Corner-formed doors
- External-formed 90-degree body flange
- 20-degree sloped-top cover for 38.00-in. (965-mm) tall console or 30-degree top cover for 48.00-in. (1219-mm) console
- Quarter-turn stainless steel latches hold top cover securely closed
- Door props hold top cover open at 90-degrees
- Integral water-shedding trough
- Collar studs for optional back panel
- Optional side panels (mounted to collar studs) expand equipment mounting space
- Tool-to-open 3-point latch on front access door; door is removable and reversible; 170-degree full-access opening
- Seamless foam-in-place gasket
- Bonding provision on door; grounding stud on body
- Provision for data pocket on lower front door
- Easy-to-remove clip-style hinge pins

FINISH

Doors and body have smooth #4 brushed finish.

ACCESSORIES

See also *Accessories*.

Caster Kit
 Side Panels

MODIFICATION AND CUSTOMIZATION

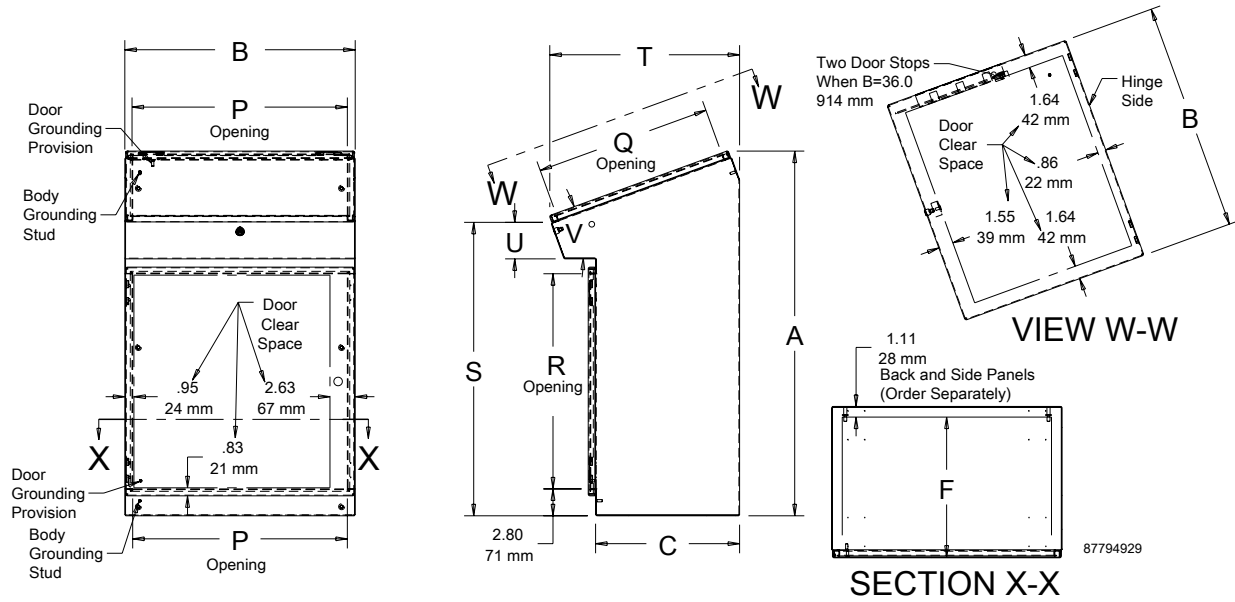
Hoffman excels at modifying and customizing products to your specifications. Contact your local Hoffman sales office or distributor for complete information.

BULLETIN: C1S

Standard Product

| Catalog Number | AxBxC in./mm | Back Panel | Conductive Panel | Back Panel Height x Width in./mm | F in./mm | P in./mm | Q in./mm | R in./mm | S in./mm | T in./mm | U in./mm | V | W in./mm | Data Pocket |
|----------------|---|------------|------------------|----------------------------------|--------------|--------------|--------------|--------------|--------------|--------------|------------|-----|--------------|-------------|
| CFC382416SS | 38.00 x 24.00 x 15.00 965 x 610 x 381 | CP3624 | CP3624G | 34.20 x 22.20 869 x 564 | 14.57 370 | 22.40 569 | 18.40 467 | 22.37 568 | 30.44 773 | 19.82 503 | 3.79 96 | 20° | 20.00 508 | Small |
| CFC383616SS | 38.00 x 36.00 x 15.00 965 x 914 x 381 | CP3636 | CP3636G | 34.20 x 34.20 869 x 869 | 14.57 370 | 34.40 874 | 18.40 467 | 22.37 568 | 30.44 773 | 19.82 503 | 3.79 96 | 20° | 20.00 508 | Large |
| CFC482423SS | 48.00 x 24.00 x 18.00 1219 x 610 x 457 | CP2442 | CP2442G | 40.20 x 22.20 1021 x 564 | 17.57 446 | 22.40 569 | 23.36 593 | 28.35 720 | 35.35 898 | 23.84 606 | 2.54 64 | 30° | 24.00 610 | Large |
| CFC483623SS | 48.00 x 36.00 x 18.00 1219 x 914 x 457 | CP4236 | CP4236G | 40.20 x 34.20 1021 x 869 | 17.57 446 | 34.40 874 | 23.36 593 | 28.35 720 | 35.35 898 | 23.84 606 | 2.54 64 | 30° | 24.00 610 | Large |

Order Back Panel and Data Pocket separately.



CASTER KIT



Order two swivel caster kits or one swivel caster kit plus one stationary caster kit.
 Height = 3.72 in. (94 mm)
 Wheel diameter = 3.00 in. (76 mm)
 Load rating each = 210 lb. (95 kg)

BULLETIN: C1

| Catalog Number | Description |
|----------------|--|
| AC4M6ST | Caster kit, stationary (2 casters per kit) |
| AC4M6SV | Caster kit, swivel (2 casters per kit) |
| CCPK18 | Caster plate kit, 18 in., (2 plates per kit) |

Order two swivel caster kits or one swivel caster kit plus one stationary caster kit.

SIDE PANELS



One panel per kit. Two kits required if a panel is needed on each side.

BULLETIN: C1

| Catalog Number | D in./mm | E in./mm | G in./mm |
|----------------|--------------|--------------|-------------|
| CPC3816 | 27.15 690 | 13.65 347 | 4.33 110 |
| CPC4823 | 31.57 802 | 16.65 423 | 3.54 40 |

