

# **BALDOR**® • ***RELIANCE***

## **Product Information Packet**

# **GPP7451**

**G.M. D24KA 90VDC 10:1 250 RPM**

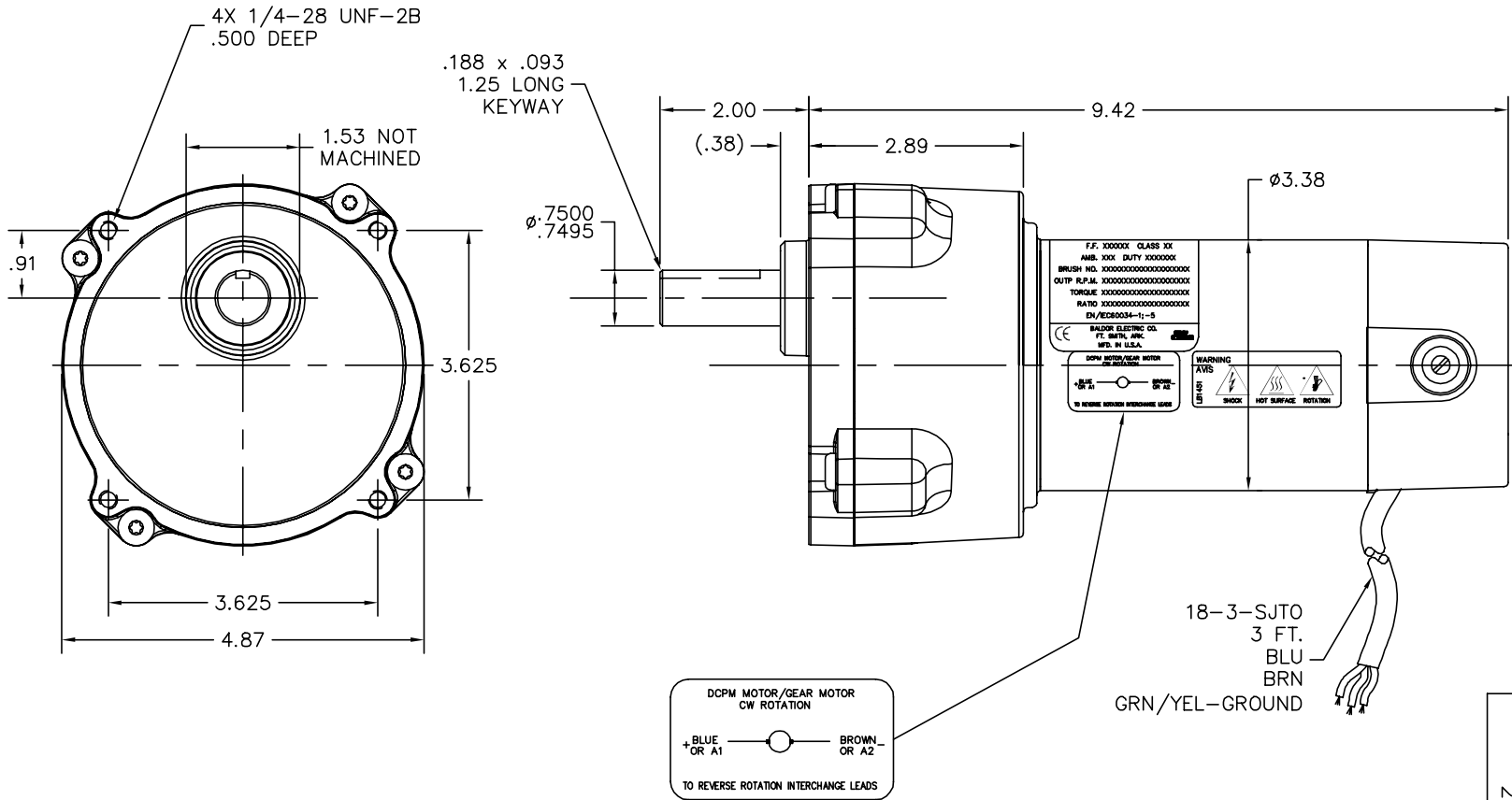
Part Detail							
Revision:	S	Status:	PRD/A	Change #:		Proprietary:	No
Type:	DC	Prod. Type:	2424P	Elec. Spec:	24WGZ017	CD Diagram:	CD1899
Enclosure:	TENV	Mfg Plant:		Mech. Spec:		Layout:	24A616Z017G2
Frame:		Mounting:		Poles:	00	Created Date:	03-17-2006
Base:		Rotation:	R	Insulation:	F	Eff. Date:	05-06-2016
Field Type:		Literature:		Elec. Diagram:		Replaced By:	

Specs			
Enclosure:	TENV		
Gearhead Type:	PARALLEL SHAFT		
Gear Ratio:	10:1		
Gear Style:	PSL		
Mounting Arrangement:	0.000		
Product Family:	General Purpose		

## Nameplate NP1220A08

CAT.NO.	GPP7451		
SER.NO.			
SPEC.	24A616Z017G2		
FRAME	PSL	TYPE	2424P
HP	.25	TE	
VOLTS	90		
AMP	2.5		
F.F.	1.3	CLASS	F
AMB.	40	DUTY	CONT
BRUSHES	2/BP5052BP01		
R.P.M.	250		
TORQ/IN LB	50		
RATIO	10:1		
APRV-CE		APRV-CUL	

24A616Z017G2



CUSTOMER IS RESPONSIBLE FOR DETERMINING THAT BALDOR'S PRODUCT WILL PERFORM SUITABLY IN THE INTENDED APPLICATION.

REV. DESC: ADD LB1451 TO LAYOUT		
REV. LTR: A	VERSION: 01	TDR: 000000843825
FILE: \CKA\00029\646	REVISED: 09:58:21 03/19/2014	BY: CKMICRO
MTL: -		

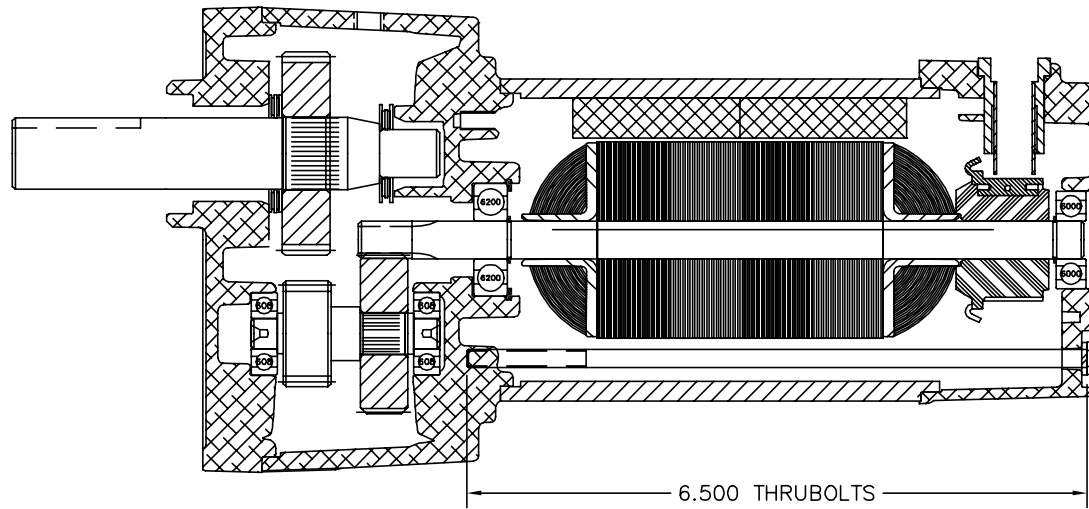
**BALDOR**

LY,24DC PSL DOM TENV .750 X 2.00 EXT. 4X 1/4 MTG HOLES

SH 1 of 2

24A616Z017G2

24A616Z017G2



CUSTOMER IS RESPONSIBLE FOR DETERMINING THAT BALDOR'S PRODUCT WILL PERFORM SUITABLY IN THE INTENDED APPLICATION.

REV. DESC: ADD LB1451 TO LAYOUT		
REV. LTR: A	VERSION: 01	TDR: 000000843825
FILE: \CKA\00029\646	REVISED: 09:58:22 03/19/2014	BY: CKMICRO
MTL: -	☉ ◻	

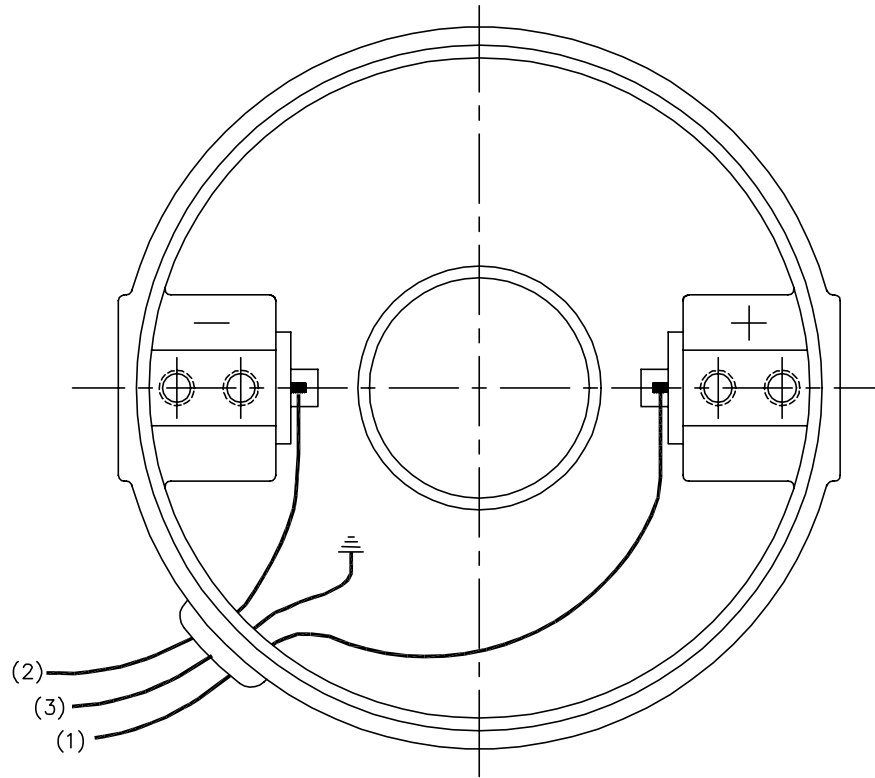
**BALDOR**

LY,24DC PSL DOM TENV .750 X 2.00 EXT. 4X 1/4 MTG HOLES

SH 2 of 2

24A616Z017G2

CD1899



(1) COLOR MAY BE  
RED  
WHT  
BLU

(2) COLOR MAY BE  
BLK  
BRN

(3) COLOR WHEN REQ.  
GRN  
GRN/YEL

VIEWED FROM  
DRIVE END

REV. DESC: NEW			
REV. LTR: -	BY: PAW	REVISED: 09:06:34 09/16/2004	TDR: 341564
668100		FILE: CKA00025830	REF: CD1899
		MTL: -	

**BALDOR ELECTRIC Co.**

PM,2LD,REV,TANG,CK

CD1899