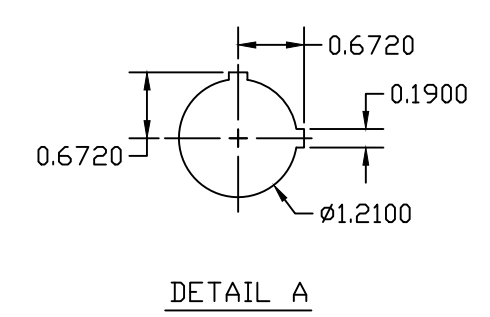
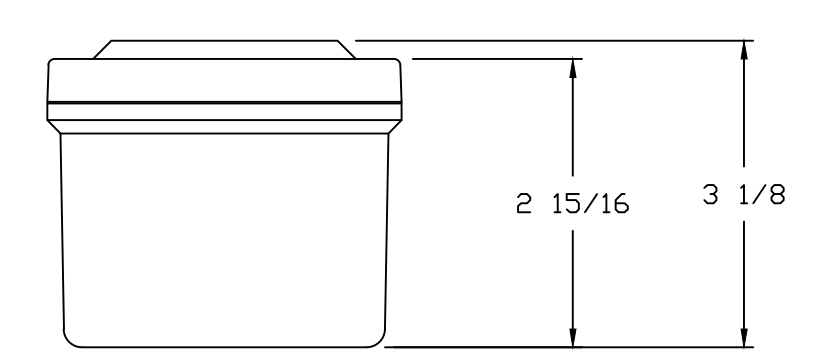
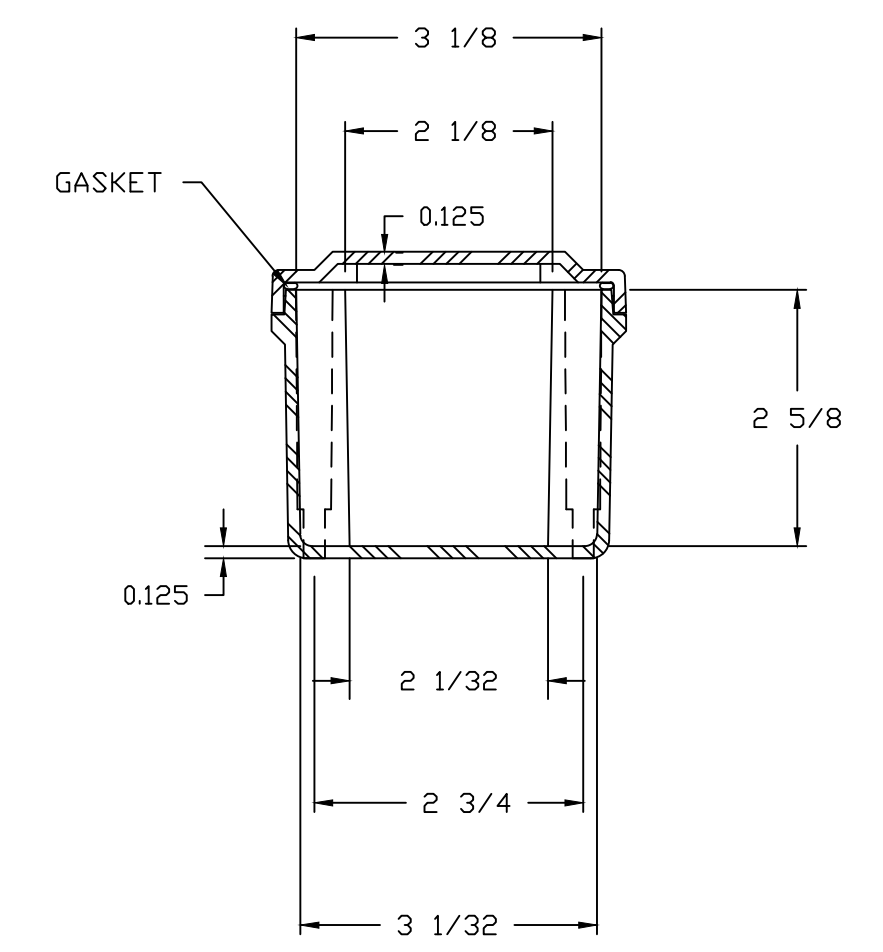


SECTION B-B




DETAIL A



SECTION A-A

NOTES:

NEMA 4X COLOR: GLACIER GRAY RR1013				TOLERANCES UNLESS SPECIFIED		DECIMAL ± .010	FRACTIONAL ± 1/32
GROUND STRAP TO BE FURNISHED WITH ENCLOSURE							
MATERIAL	DR. BY	DATE	SH	7/16/91	 BELDING, MICHIGAN 48809 DIVISION OF ROBOBY INDUSTRIES		
F.R. POLYESTER FIBERGLASS	CHK. BY	DATE	APD. BY	DATE			
LET.	REVISION RECORD	DATE	BY	CHD.	CUSTOMER		AutoCAD DWG. FILE
					CF5PB		
					SCALE DO NOT SCALE	PART NAME ENCLOSURE	PART NO. CF5PB