

BALDOR® • *RELIANCE*

Product Information Packet

GPP12502

.08HP,DC,PSSH-0,2412P,TENV,F1

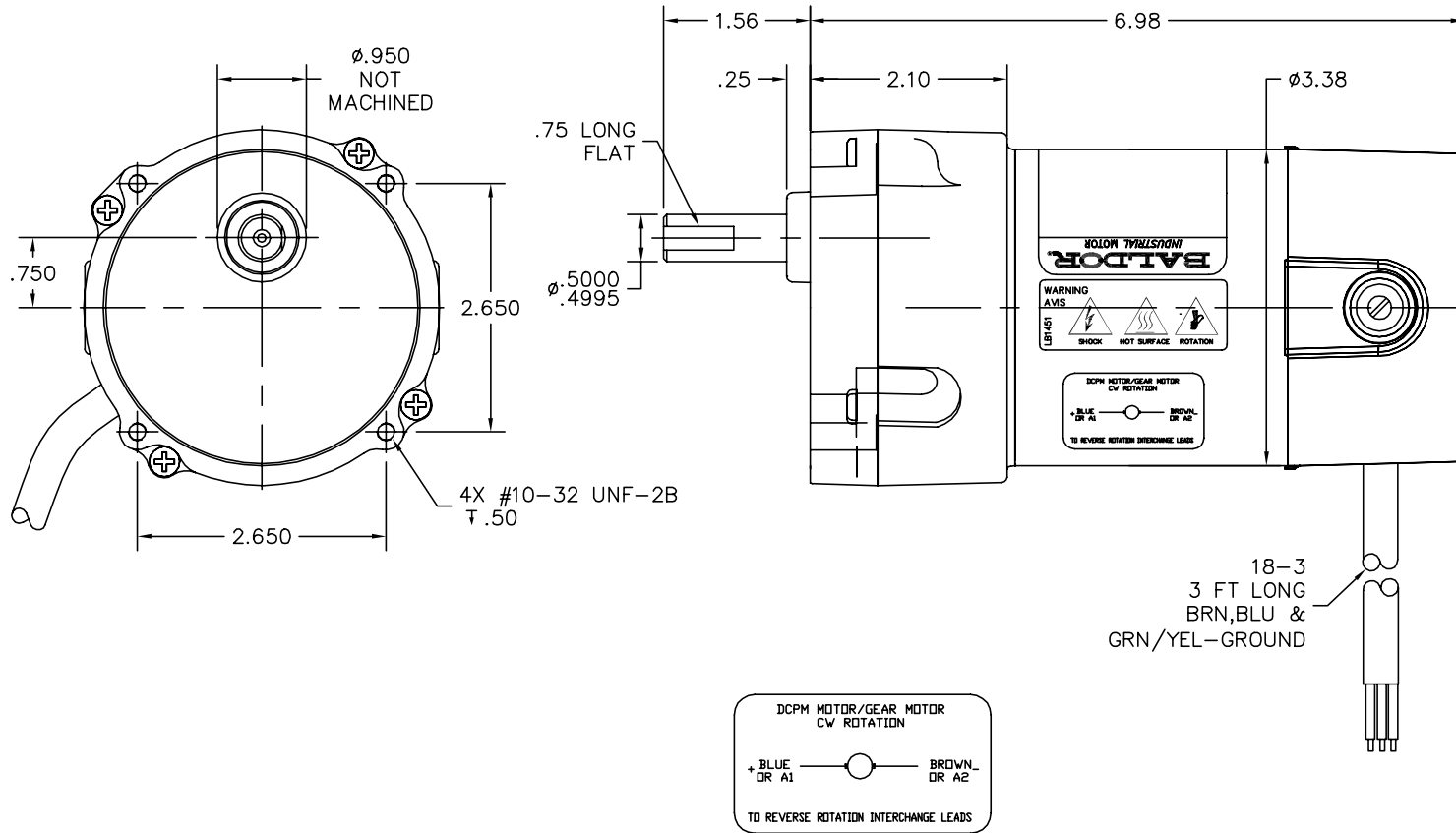
Part Detail							
Revision:	X	Status:	PRD/A	Change #:		Proprietary:	No
Type:	DC	Prod. Type:	2412P	Elec. Spec:	24WGZ011	CD Diagram:	CD1899
Enclosure:	TENV	Mfg Plant:		Mech. Spec:		Layout:	24LYA002
Frame:		Mounting:		Poles:	00	Created Date:	
Base:		Rotation:	R	Insulation:	F	Eff. Date:	09-22-2017
Field Type:		Literature:		Elec. Diagram:		Replaced By:	

Specs			
Enclosure:	TENV		
Gearhead Type:	PARALLEL SHAFT		
Gear Ratio:	20:1		
Gear Style:	PSSH		
Mounting Arrangement:	0.000		
Product Family:	General Purpose		

Nameplate NP1220A08

CAT.NO.	GPP12502		
SER.NO.			
SPEC.	24A002Z011G2		
FRAME	PSSH	TYPE	2412P
HP	.083	TE	
VOLTS	90DC		
AMP	1.0		
F.F.	1.74	CLASS	F
AMB.	40	DUTY	CONT
BRUSHES	2/BP5052BP01		
R.P.M.	125		
TORQ/IN LB	38.5		
RATIO	20:1		
APRV-CE		APRV-CUL	

24LYA002



CUSTOMER IS RESPONSIBLE FOR DETERMINING THAT BALDOR'S PRODUCT WILL PERFORM SUITABLY IN THE INTENDED APPLICATION.

REV. DESC: ADD CONNECTION LABEL		
REV. LTR: E	VERSION: 05	TDR: 000000723261
FILE: \CKA\00017\115	REVISED: 10:48:27 11/29/2011	
MTL: -	BY: CKAPRBO	

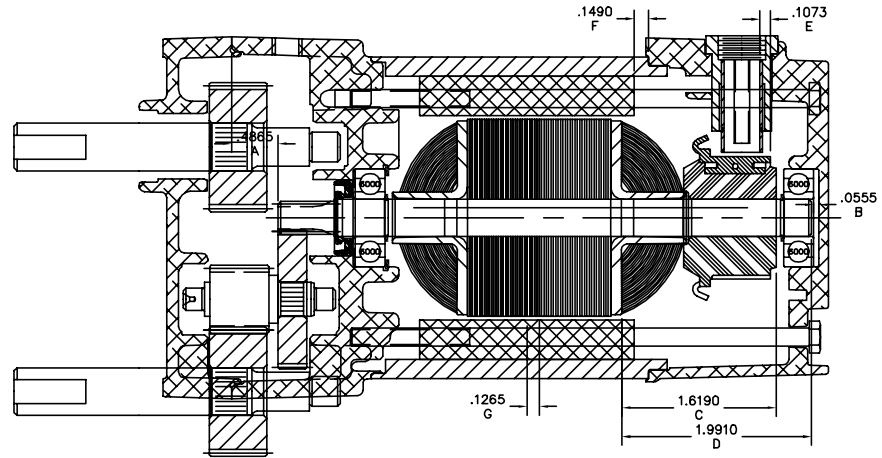
BALDOR • DODGE • RELIANCE

LY,24DC PSSH DOM TENV .50X1.56 EXT W/FLAT LONG

SH 1 of 2

24LYA002

24LYA002



24LYA002

CUSTOMER IS RESPONSIBLE FOR DETERMINING THAT BALDOR'S PRODUCT WILL PERFORM SUITABLY IN THE INTENDED APPLICATION.

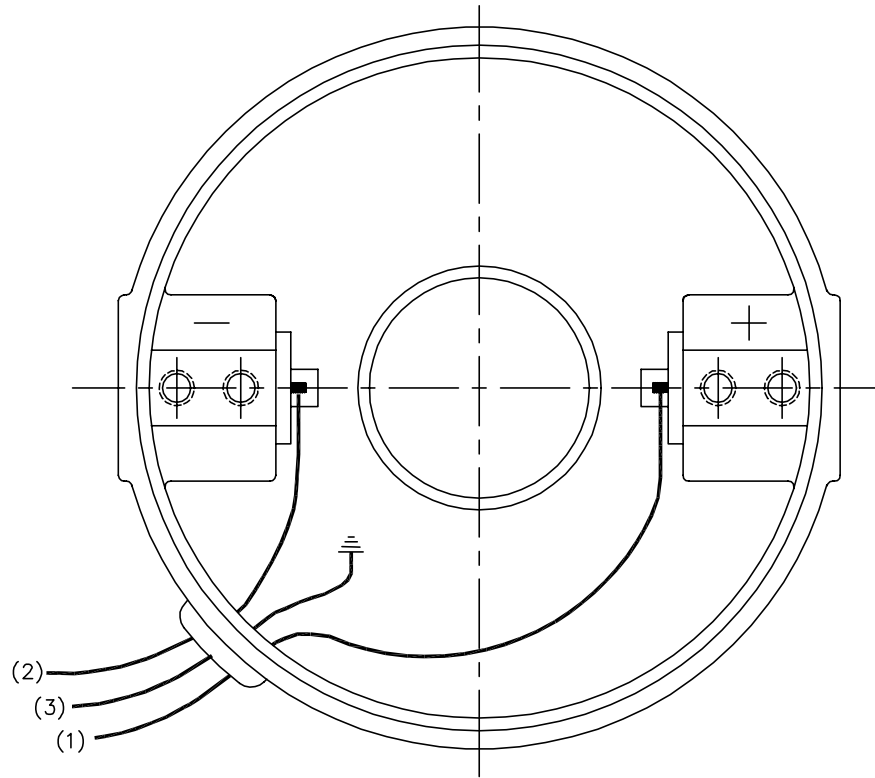
REV. DESC: ADD CONNECTION LABEL		
REV. LTR: E	VERSION: 05	TDR: 000000723261
FILE: \CKA\00017\115		REVISED: 10:48:27 11/29/2011
MTL: -		BY: CKAPRBO

BALDOR • DODGE • RELIANCE

LY,24DC PSSH DOM TENV .50X1.56 EXT W/FLAT LONG

SH 2 of 2

CD1899



(1) COLOR MAY BE
RED
WHT
BLU

(2) COLOR MAY BE
BLK
BRN

(3) COLOR WHEN REQ.
GRN
GRN/YEL

VIEWED FROM
DRIVE END

REV. DESC: NEW			
REV. LTR: -	BY: PAW	REVISED: 09:06:34 09/16/2004	TDR: 341564
668100		FILE: CKA00025830	REF: CD1899
		MTL: -	

BALDOR ELECTRIC Co.

PM,2LD,REV,TANG,CK

CD1899