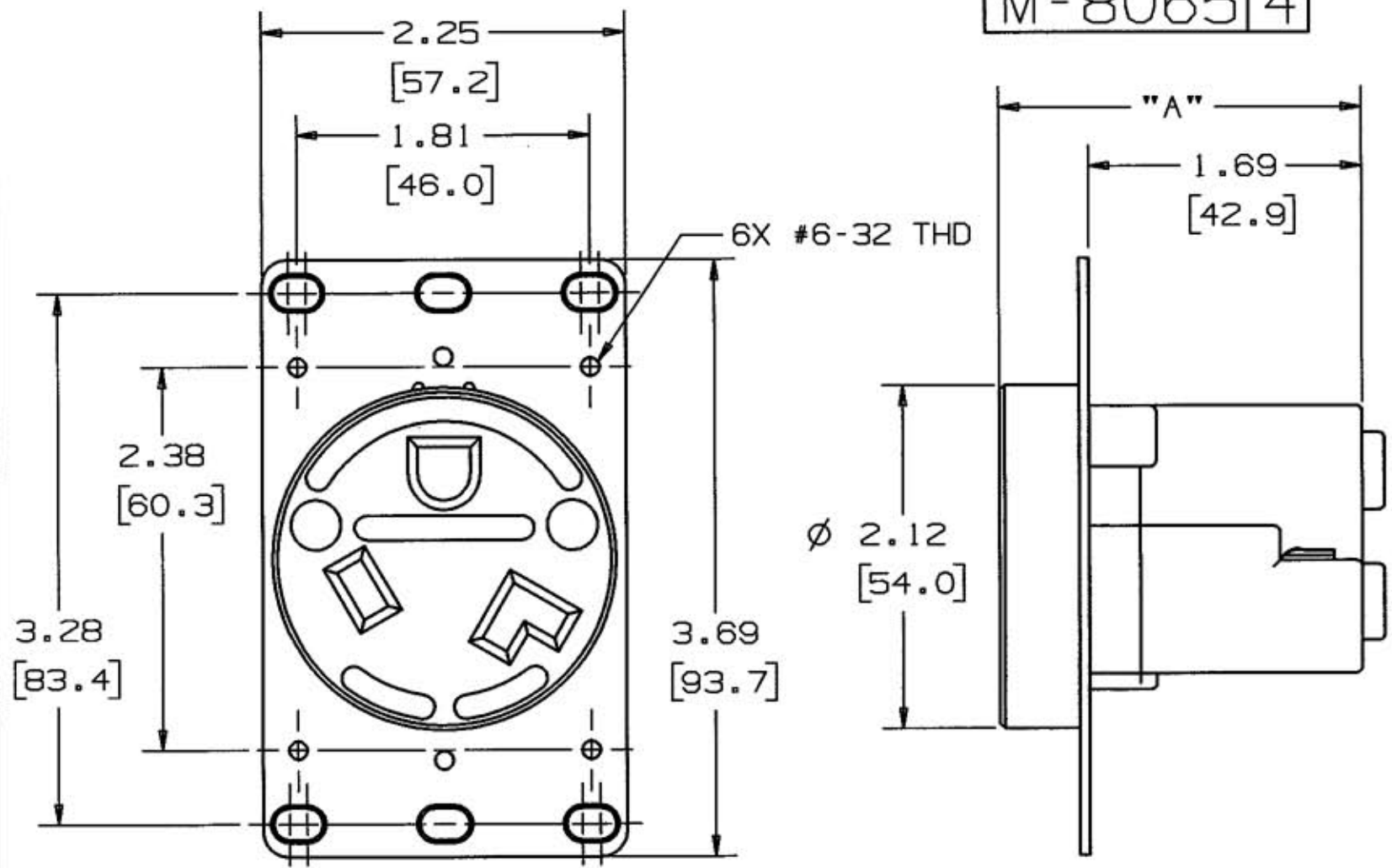


M-8065 4



- NOTES:
1. BOX TERMINAL WILL ACCEPT #10 THRU #4 COPPER WIRE ONLY.
 2. TERMINAL SCREWS ARE 1/4 SLOT HEAD.
 3. MOUNTS TO 2 1/8 DEEP SINGLE OR TWO GANG BOX.
 4. UL AND CSA CERTIFIED.
 5. DIMENSION FORMAT IS : INCHES [mm]

LIST OF PARTS		
DESCRIPTION	MATERIAL	FINISH
BASE	POLYESTER	BLACK
COVER	POLYESTER	SEE TABLE
MOUNTING, PLATE	.062 CRS	NI PLATE
CONTACTS	BRASS	TIN PLATE
GROUND SHUNT	BRASS	
TERMINAL SCREW	STEEL	BRASS PLATE
MOUNTING SCREW	STEEL	ZINC PLATE

4	DUAL DIMENSIONS WERE FRACTIONAL ONLY; IN TABLE ADDED "FACE COLOR COLUMN; ADDED NOTE 5; ADDED "ONLY" TO NOTE 1; ADDED "BLACK" AND "SEE TABLE" TO "FINISH" COLUMN; ADDED "SEE TABLE" TO "DIMENSION SHEET FOR CAT. NO."; PER DCN #8682. JMN	TCM	12/12/01
3	IN CHART REMOVED: WIRE, CSA, & UL. ADDED DIM. "A". IN NOTE 1 ADDED COPPER. IN NOTE 3 ADDED TWO GANG BOX. ADDED NOTE 4 (UL & CSA CERTIFIED). IN DISCRPTION ADDED MOUNTING SCREWS MAT'L: STEEL, FINISH: ZINC PLATE. PER DCN 6526-11	MJM DJP	5/16/00
2	ADDED TIN PLATE TO CONTACTS & 6X 8-32 THD, REMOVED NOTE 4 PER DCN 6526-10 MJM	DJP	1/18/00
1	RELEASED PER DCN 6526 MJM	DJP	1/18/99
SYM	REVISIONS	APP	DATE

CAT. NO.	CONFIGURATION	RATING	DIM "A"	FACE COLOR
HBL 9315	NEMA 7-30R	30A-277VAC	2.23" [56.8]	BLACK
HBL 9308	NEMA 5-30R	30A-125V	2.23" [56.8]	BLACK
IG9308				ORANGE
HBL 9360	NEMA 5.50R	50A-125V	2.33" [59.1]	BLACK
HBL 9367	NEMA 6-50R	50A-250V	2.33" [59.1]	BLACK
HBL 9365	NEMA 7-50R	50A-277VAC	2.33" [59.1]	BLACK
HBL 9330	NEMA 6-30R	30A-250V	2.23" [56.8]	BLACK
IG9330				ORANGE

THE DESIGN AND DIMENSIONS OF THE PRODUCT SHOWN ON THIS DRAWING ARE SUBJECT TO CHANGE WITHOUT NOTICE

TITLE
30A, 50A, 2P-3W STRAIGHT BLADE RECEPTACLE

TOLERANCES UNLESS OTHERWISE SPECIFIED FRACTIONS ± 1/64 DECIMALS ± .005 ANGLES ± 2°	WIRING DEVICE-KELLEMS HUBBELL INCORPORATED BRIDGEPORT, CT	
	DR. BY MJM	APP. BY DJP
	TR. BY	SCALE 1:1
	CHK'D BY DJP	DATE 10/9/98

DIMENSION SHEET FOR CAT. NO. SEE TABLE
 REPAIRABLE NON-REPAIRABLE
 B
 M-8065
 4