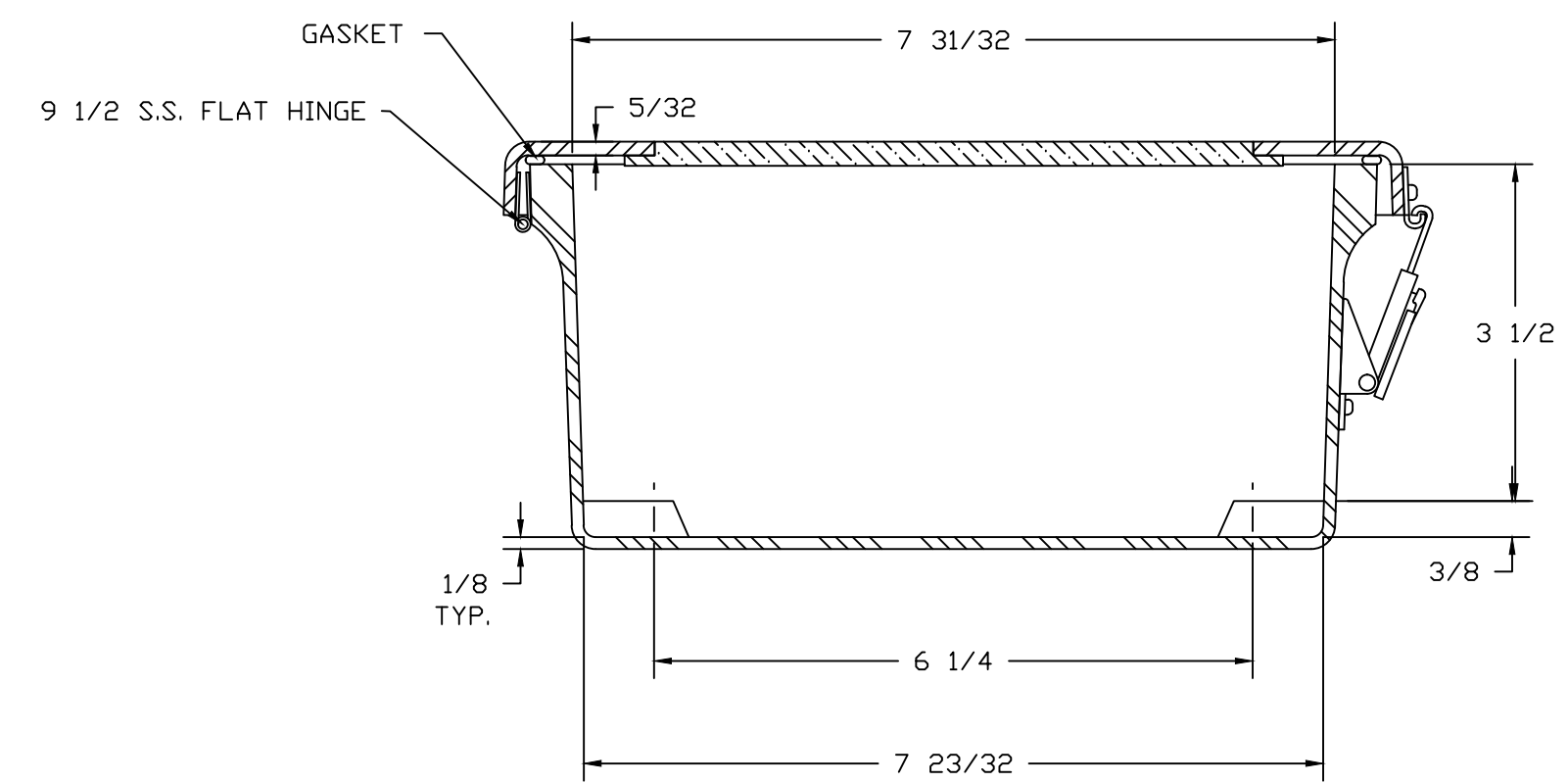
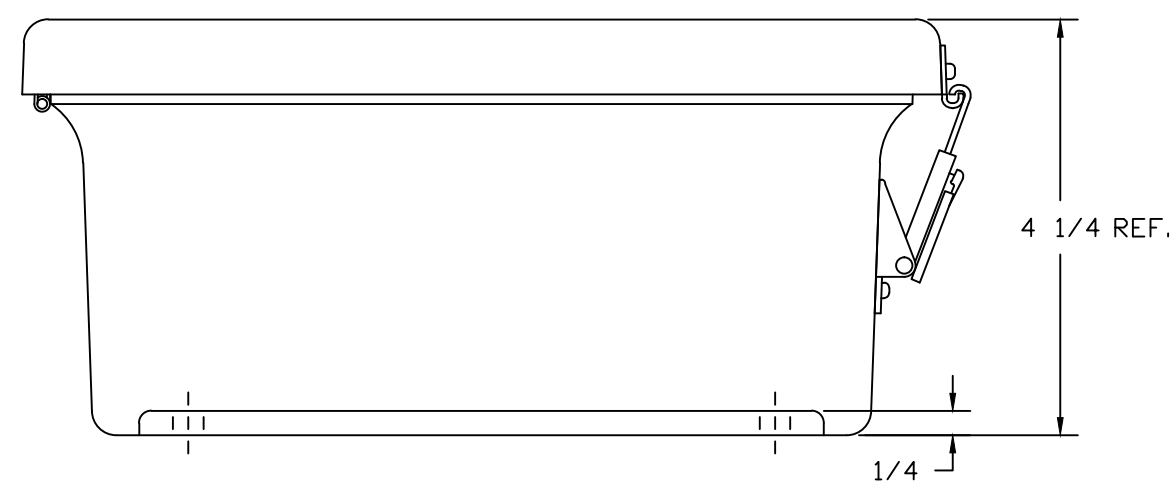


SECTION B-B



SECTION A-A

NOTES:

NEMA 4X		TOLERANCES UNLESS SPECIFIED		DECIMAL ± .010	FRACTIONAL ± 1/32
COLOR: GLACIER GRAY RR1013					
MATERIAL	F.R. POLYESTER FIBERGLASS	DR. BY	SH	DATE	8/21/91
LET.	REVISION RECORD	DATE	BY	CHD.	CHK. BY
					DATE
					APD. BY
					DATE
					CUSTOMER
					AutoCAD DWG. FILE
					JW1008HLL
					SCALE
					DO NOT SCALE
					PART NAME
					ENCLOSURE
					PART NO.
					JW1008HLL



BELDING, MICHIGAN 48809