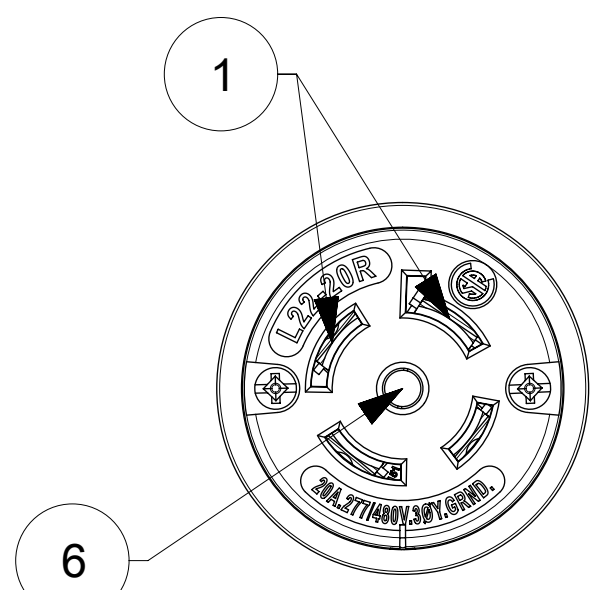
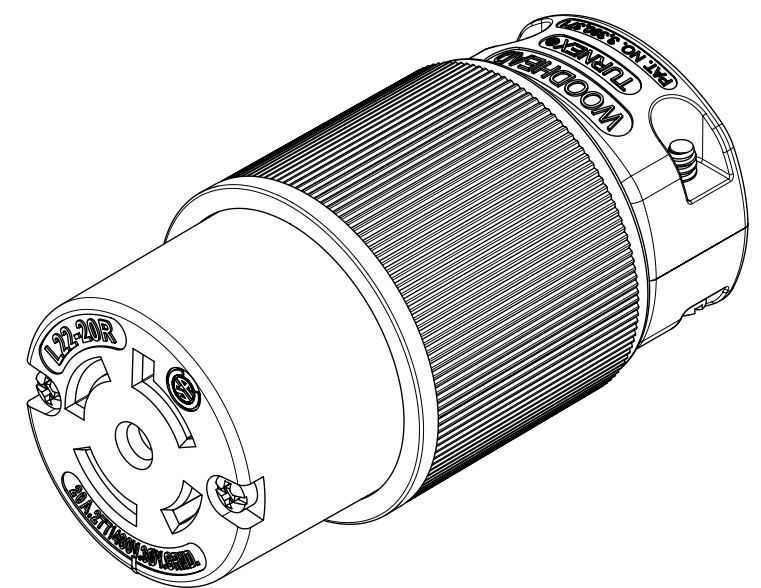
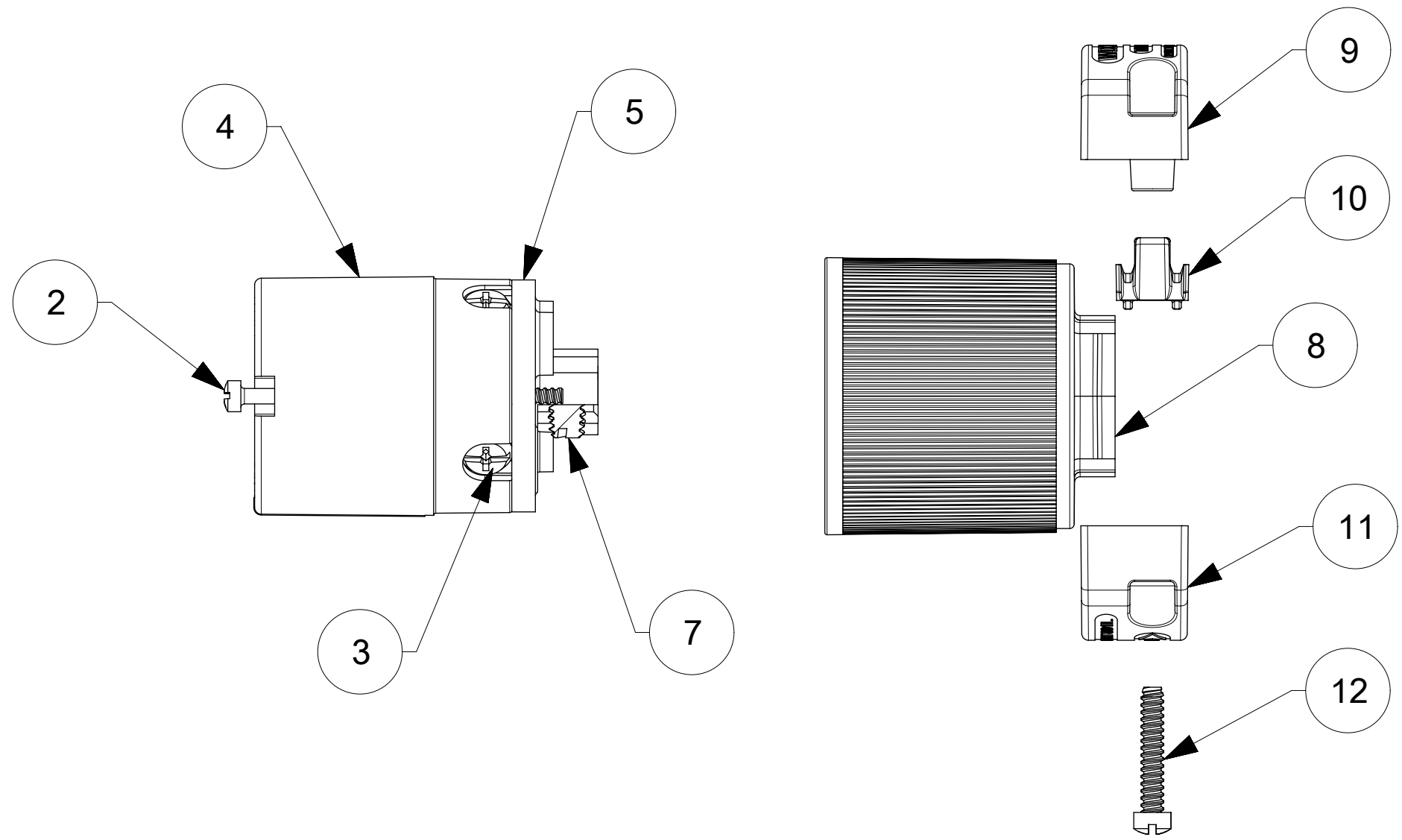
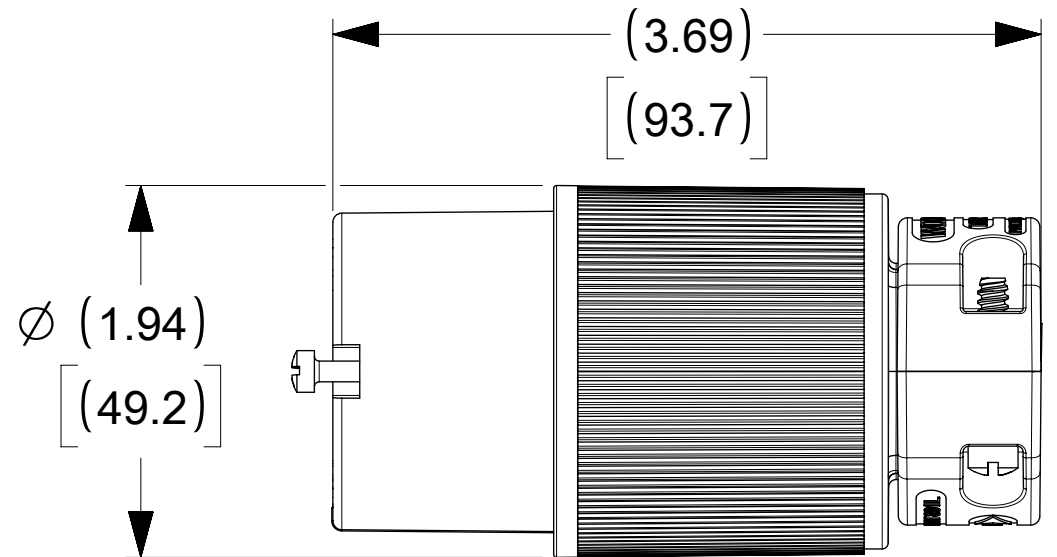


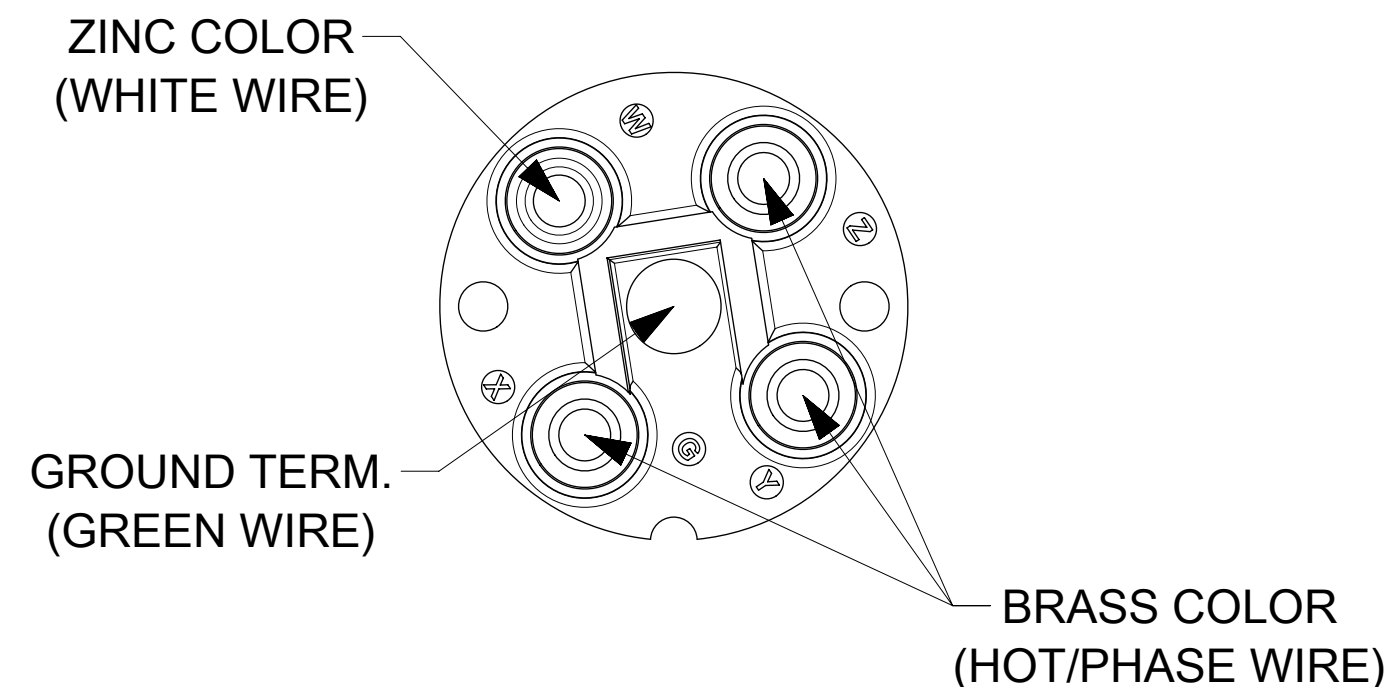
ORDER NO.	WOODHEAD NO.	COLOR
130145-0043	27T82	BLACK



FACE VIEW



WIRING TERMINATION



ITEM NO.	DESCRIPTIONS	MATERIAL	QTY.
1	BLADES	BRASS	4
2	RETAINING SCREWS	STAINLESS STEEL	2
3	TERMINAL SCREWS/CLAMP ASSEMBLY	BRASS, ZINC PLATED	4
4	INSERT	NYLON	1
5	TERMINAL COVER	POLYCARBONATE	1
6	GROUND PIN	BRASS, NICKEL PLATED	1
7	SET SCREW	STAINLESS STEEL	1
8	HOUSING	NYLON	1
9	CLAMP CORD MALE	NYLON	1
10	CLAMP CORD INSERT	NYLON	1
11	CLAMP CORD FEMALE	NYLON	1
12	RETAINING SCREWS	STAINLESS STEEL	2

SYMBOLS		THIS DRAWING CONTAINS INFORMATION THAT IS PROPRIETARY TO MOLEX ELECTRONIC TECHNOLOGIES, LLC AND SHOULD NOT BE USED WITHOUT WRITTEN PERMISSION		CURRENT REV DESC: NEW RELEASE	
▽ = 0	INCH/MM	SCALE	NTS		
▽ = 0	GENERAL TOLERANCES (UNLESS SPECIFIED)		EC NO: 627362		
▽ = 0		MM	INCH	DRWN: VBASUTHKARP 2018/12/12	
▽ = 0	4 PLACES	±	±	CHK'D: DNGUYEN62 2019/11/22	
▽ = 0	3 PLACES	±	±	APPR: HKNEELAND 2020/01/13	
▽ = 0	2 PLACES	±	±	INITIAL REVISION:	
▽ = 0	1 PLACE	±	±	DRWN: VBASUTHKARP 2018/12/12	
▽ = 0	0 PLACES	±	±	APPR: HKNEELAND 2020/01/13	
▽ = 0	ANGULAR TOL	±	°	THIRD ANGLE PROJECTION	
▽ = 0	DRAFT WHERE APPLICABLE MUST REMAIN WITHIN DIMENSIONS		DRAWING		SERIES
▽ = 0			C-SIZE		130145

molex		
SAFEWAY CONNECTOR TURNEX 4P5W L22-20		
PRODUCT CUSTOMER DRAWING		
DOCUMENT NUMBER	DOC TYPE	DOC PART
1301450043	PSD	000
MATERIAL NUMBER	CUSTOMER	SHEET NUMBER
SEE TABLE	GENERAL MARKET	1 OF 1