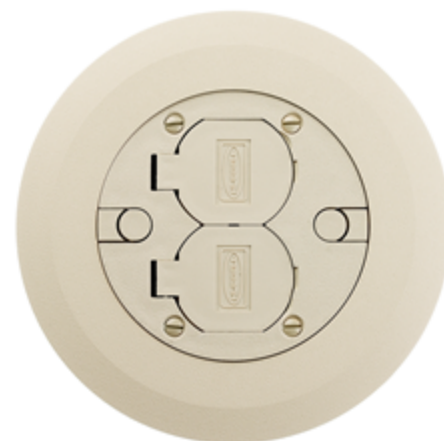


Floor Boxes
 Flush Round Single or Multi-Service
 Flush Round Covers and Flanges

HUBBELL

Features

- Meets ADA standards for accessible design
- Provides consistent look and maximum functionality
- Durable cast aluminum construction



Ordering Information

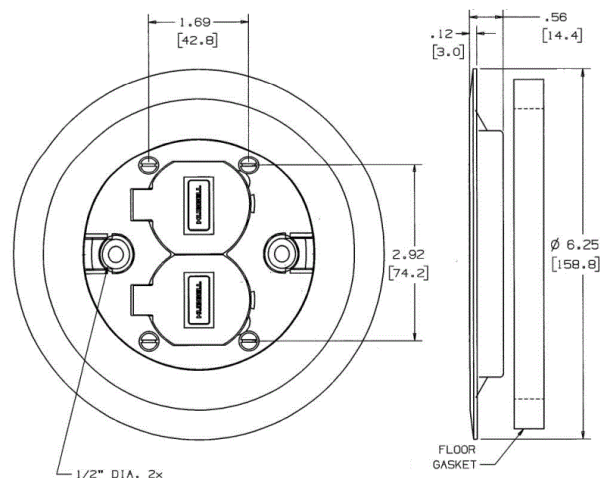
Description	Device Color	UPC Number	Catalog Number
Includes floor box cover with duplex flaps, 1/2 in. dia.	Ivory	783585342504	PFBCIA

Listings

UL File Number E92074

Specifications

Diameter	6.25 in.
Material	Thermoplastic ABS
Floor Box Version	Round
Box Item	Non-metallic Combo Cover/Flange
Insulator	Separates receptacle from low-voltage wiring



Online Resources

Customer Use Drawing
 eCatalog
 Installation Instructions

Dimensions in Inches (mm)

Hubbell Wiring Device-Kellems • Hubbell Incorporated (Delaware) • 40 Waterview Drive • Shelton, CT 06484

Phone (800) 288-6000 • Fax (800) 255-1031 • Specifications subject to change without notice.

