



FOR USE WITH PANDUIT SURFACE RACEWAY ROUTING SYSTEM

TWO GANG DEEP JUNCTION BOX

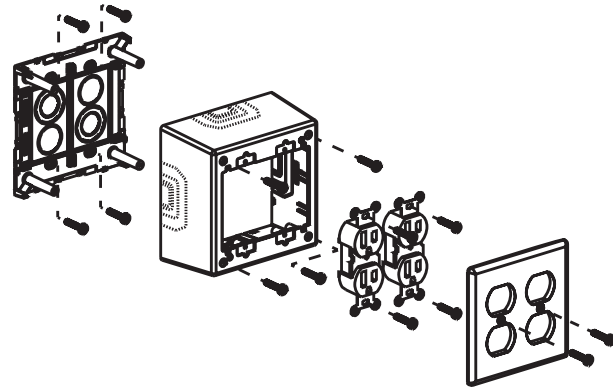
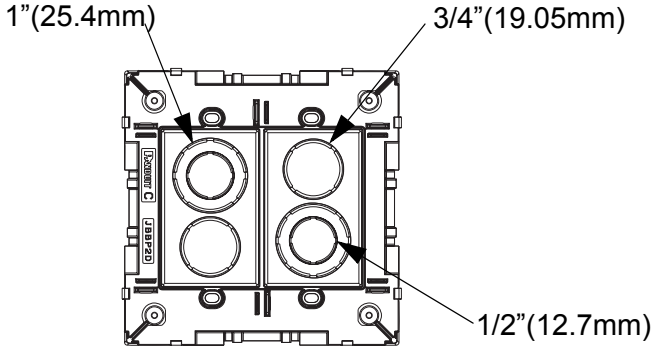
Part Numbers: JBP2D, JBD2

INSTALLATION INSTRUCTIONS

©Panduit Corp. 2006

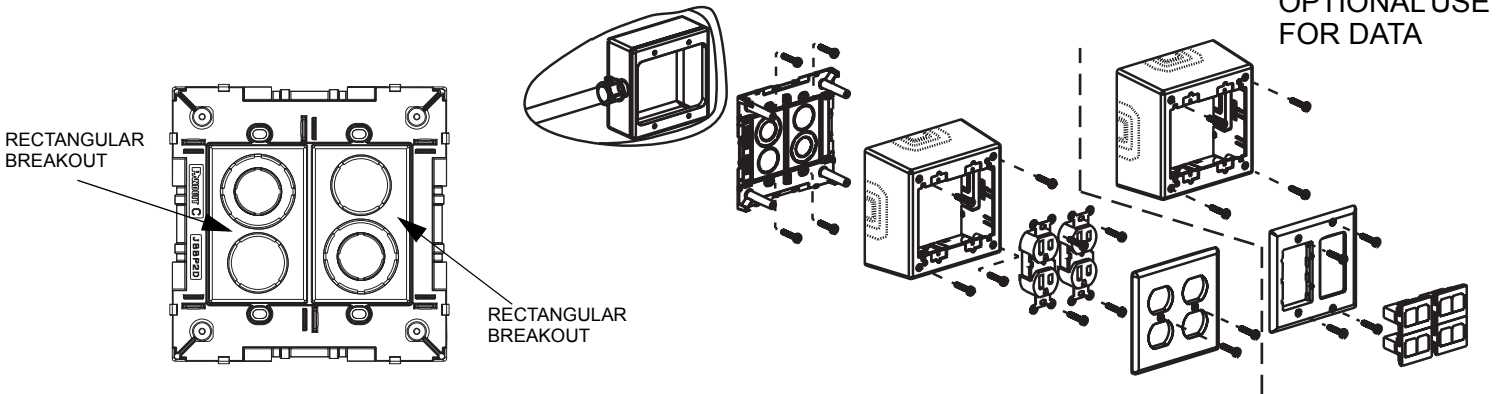
Printed in U.S.A.

CONDUIT APPLICATION

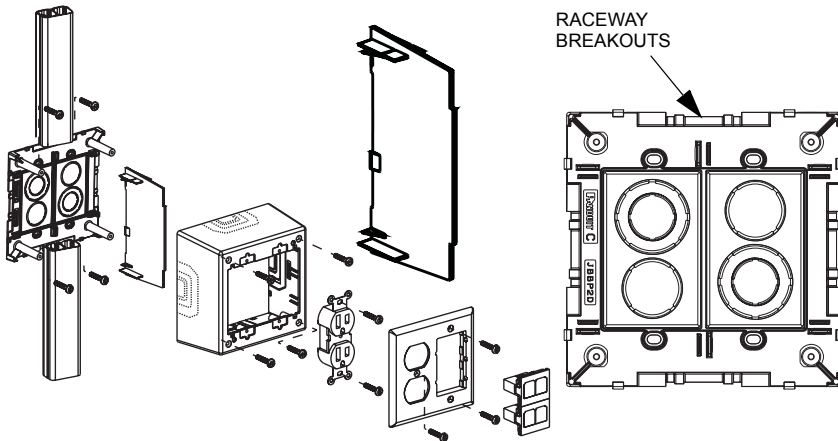


The mounting hardware used to secure the base shall be appropriate for the mounting surface

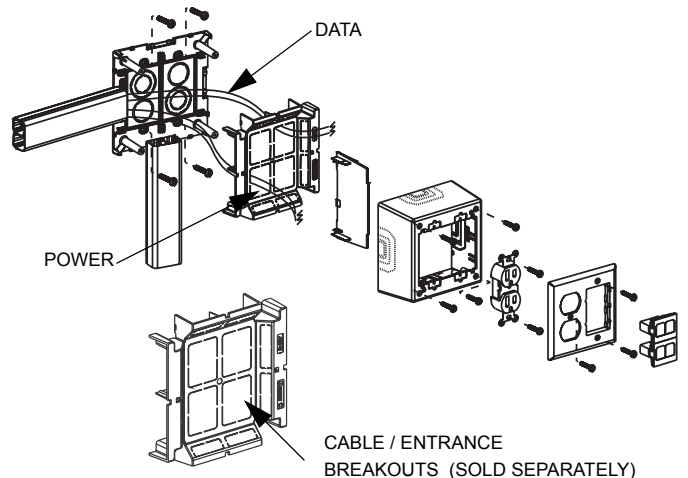
IN-WALL BOX APPLICATION



POWER/DATA APPLICATION

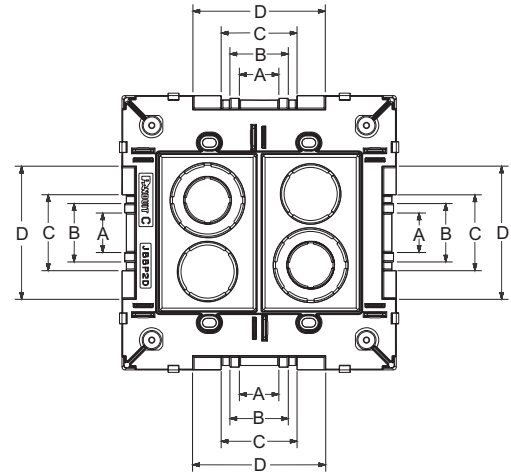
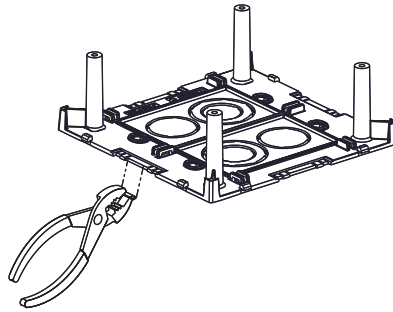
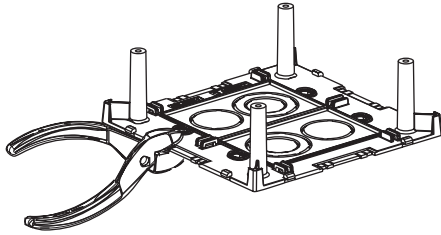


DIVIDED INSERT APPLICATION



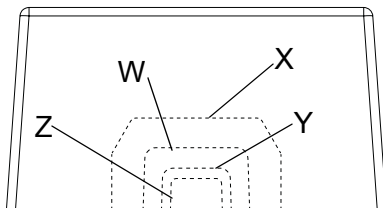
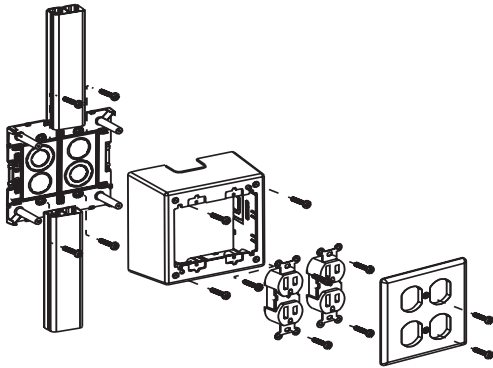
POWER JUNCTION BOX INSTALLATION INSTRUCTIONS

BASE BREAKOUTS

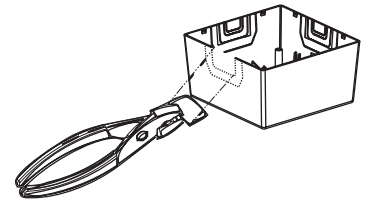
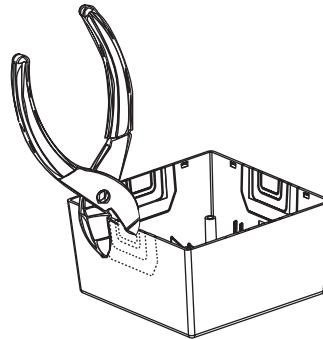


BASE	RACEWAY
A	LDPH3, LDS3, LD3, PD3
B	LDPH5, LDS5, LD5, PD6
C	LDPH10, LD2P10, LD10
D	T45

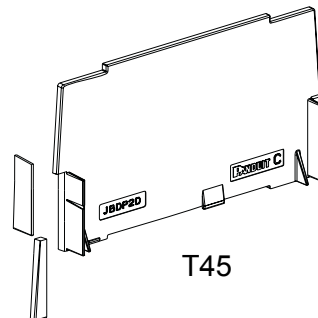
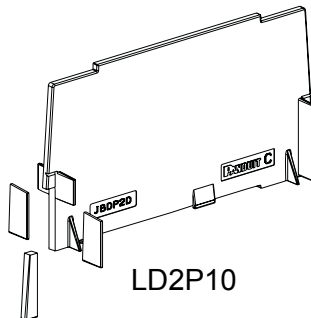
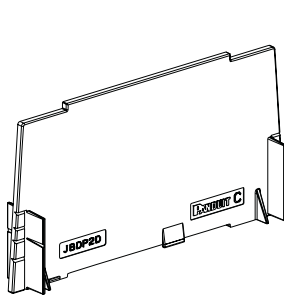
COVER BREAKOUTS



COVER	RACEWAY	ADAPTER
W	LDPH10, LD2P10, LD10 PD3 PD6	N0 BA3 BA6
X	T45	NO
Y	LDPH5, LD5, LDS5	NO
Z	LDPH3, LD3, LDS3	NO



DIVIDER WALL BREAKOUTS



Instruction Sheet RW04D

WORLDWIDE SUBSIDIARIES AND SALES OFFICES

17301 Ridgeland Avenue
Tinley Park, IL 60477-3091
Web Site: www.panduit.com



Technical Support: 866-405-6656
Fax: 866-449-1702
Email: netconnsupport@panduit.com