

BALDOR® • **RELIANCE**

Product Information Packet

M3454

.25HP, 1725RPM, 3PH, 60HZ, 48, 3410M, TEFC, F1

Part Detail							
Revision:	P	Status:	PRD/A	Change #:		Proprietary:	No
Type:	AC	Prod. Type:	3410M	Elec. Spec:	34WG0895	CD Diagram:	
Enclosure:	TEFC	Mfg Plant:		Mech. Spec:	34A051	Layout:	
Frame:	48	Mounting:	F1	Poles:	04	Created Date:	
Base:	RG	Rotation:	R	Insulation:	B	Eff. Date:	07-16-2007
Leads:	9#18	Literature:		Elec. Diagram:		Replaced By:	

Nameplate NP1256L									
CAT.NO.	M3454								
SPEC.	34A51-895								
HP	.25								
VOLTS	230/460								
AMP	1.3/.65								
RPM	1725								
FRAME	48	HZ			60	PH	3		
SER.F.	1.35	CODE			L	DES	B	CLASS	B
NEMA-NOM-EFF	64	PF			56				
RATING	40C AMB-CONT								
CC				USABLE AT 208V		1.7			
DE	6203	ODE			6203				
ENCL	TEFC	SN							
	SFA 1.6/.8								

Parts List		
Part Number	Description	Quantity
SA009759	SA 34A51-895	1.000 EA
RA006204	RA 34A51-895	1.000 EA
NS2512A01	INSULATOR, CONDUIT BOX X	1.000 EA
34CB3002A	CB CAST W/.88 DIA HOLE	1.000 EA
34GS1029A01	GASKET, CONDUIT BOX	1.000 EA
51XB1016A07	10-16 X 7/16 HXWSSLD SERTYB	2.000 EA
11XW1032G06	10-32 X .38, TAPTITE II, HEX WSHR SLTD U	1.000 EA
34EP3102A01SP	FR ENDPLATE, MACH	1.000 EA
HW5100A03SP	WAVY WASHER (W1543-017)	1.000 EA
34EP3102A02SP	FR/PU ENDPLATE, MACH	1.000 EA
XY1032A02	10-32 HEX NUT DIRECTIONAL SERRATION	4.000 EA
34FN3002A01SP	EXTERNAL FAN, PLASTIC, .637/.639 HUB W/	1.000 EA
34FH4002A01SP	IEC FH NO GREASER	1.000 EA
51XW1032A06	10-32 X .38, TAPTITE II, HEX WSHR SLTD S	3.000 EA
34CB4517	CB LID 4 MTG HOLES .22 DIA STAMPED, FOR	1.000 EA
34GS1031A01	GASKET, FLAT CONDUIT BOX LID (LEXIDE)	1.000 EA
51XW0832A07	8-32 X .44, TAPTITE II, HEX WSHR SLTD SE	4.000 EA
MG1000G27	PAINT- S9282E CHARCOAL GREY 55 GALLONS	0.014 GA
10XF0440S02	04-40 X 1/8 TYPE F HEX HD STAINLESS STIC	2.000 EA
HA3100A12	THRUBOLT 10-32 X 7.375	4.000 EA
LB1125C01	STD (STOCK) CARTON LABEL BALDOR WITH FLA	1.000 EA
LC0005E01	CONN.DIA./WARNING LABEL (LC0005/LB1119)	1.000 EA
NP1256L	ALUM, UL CSA CC, W/O THERMAL, LASER	1.000 EA
34PA1002	PACKING GROUP, BALDOR	1.000 EA

Accessories		
Part Number	Description	Multiplier
34-3900T	C-FACE KIT	A8

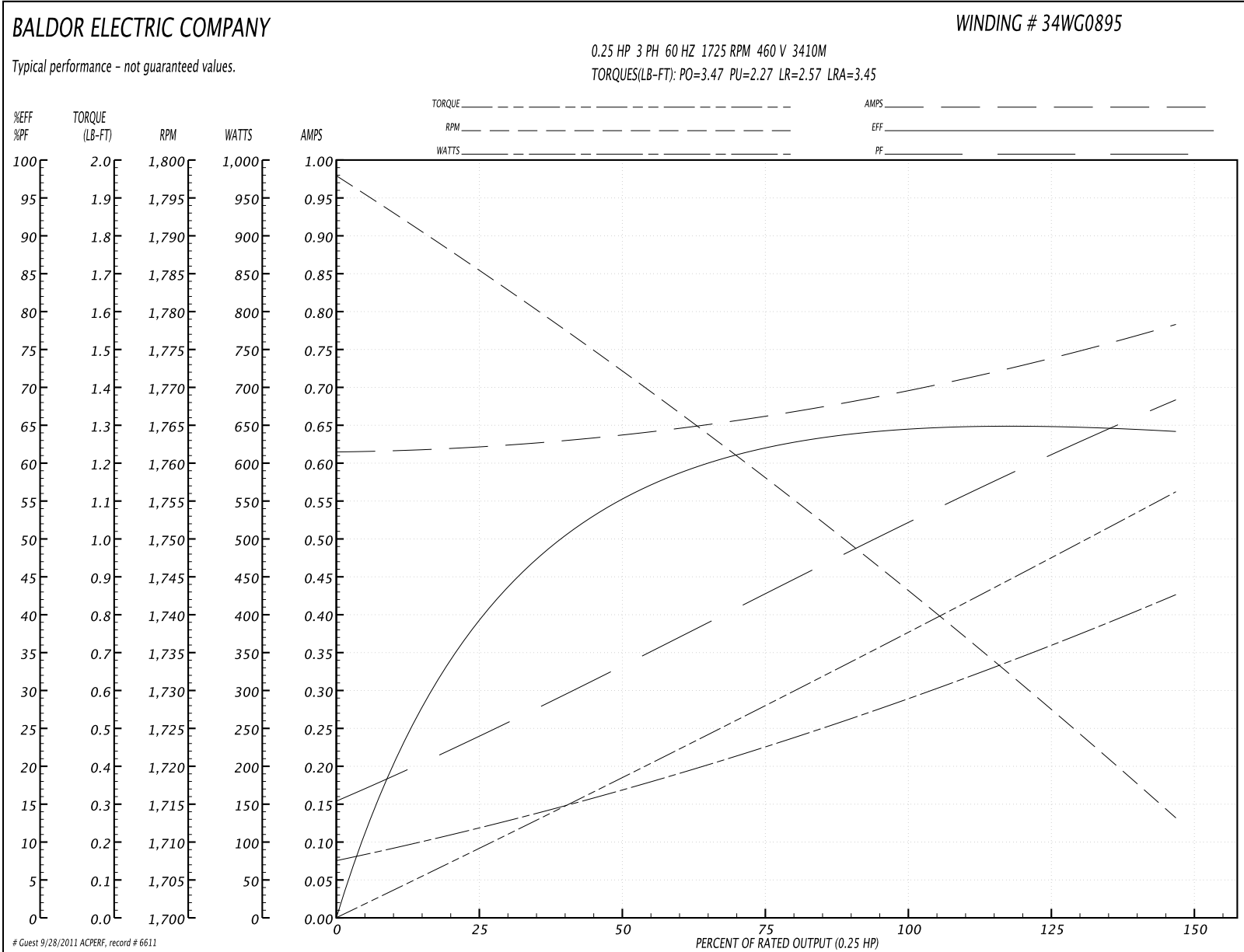
Performance Data at 460V, 60Hz, 0.25HP (Typical performance - Not guaranteed values)
General Characteristics

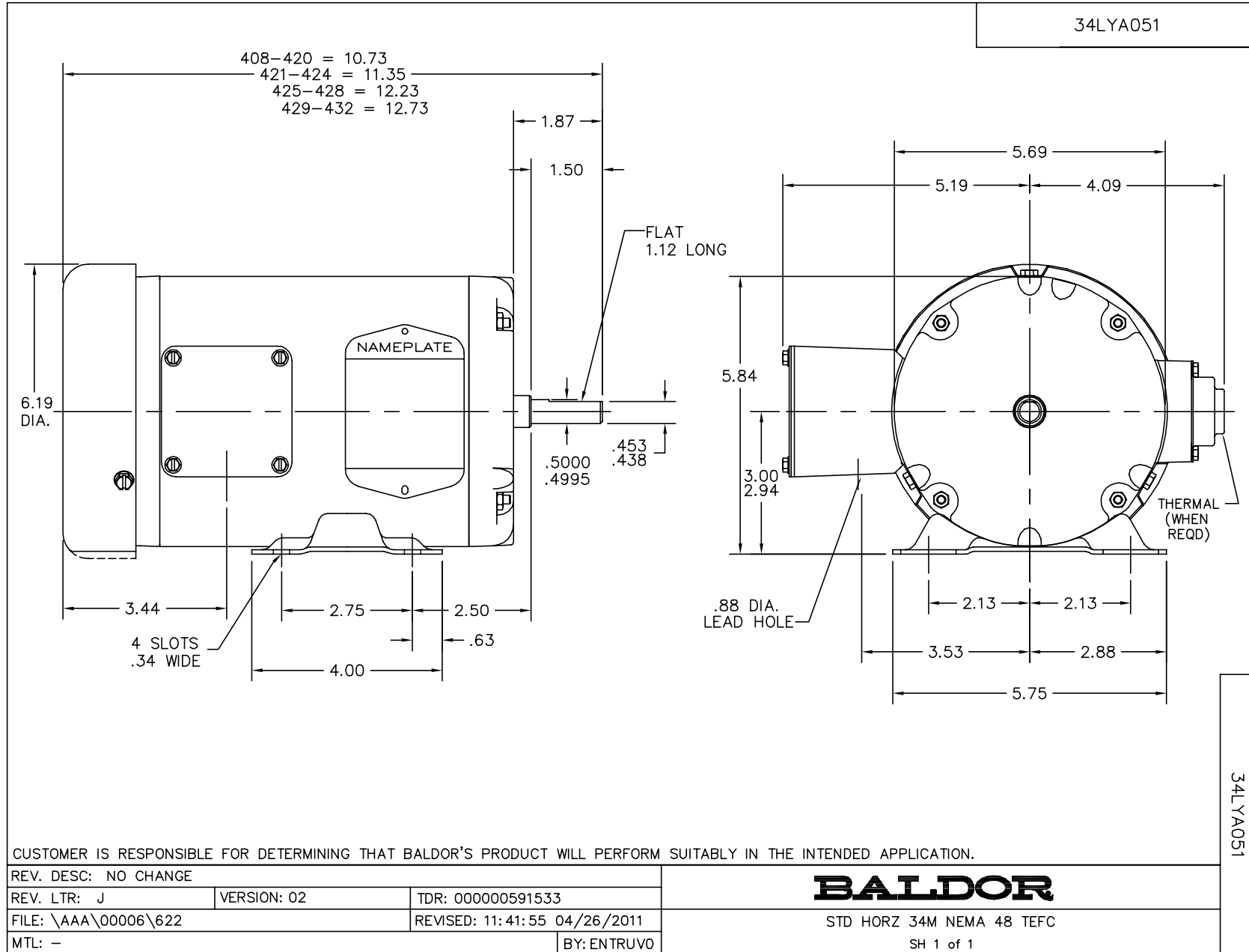
Full Load Torque:	0.75 LB-FT	Start Configuration:	DOL
No-Load Current:	0.6 Amps	Break-Down Torque:	3.47 LB-FT
Line-line Res. @ 25°C.:	68.4 Ohms A Ph / 0.0 Ohms B Ph	Pull-Up Torque:	2.27 LB-FT
Temp. Rise @ Rated Load:	42 C	Locked-Rotor Torque:	2.57 LB-FT
Temp. Rise @ S.F. Load:	55 C	Starting Current:	3.45 Amps

Load Characteristics

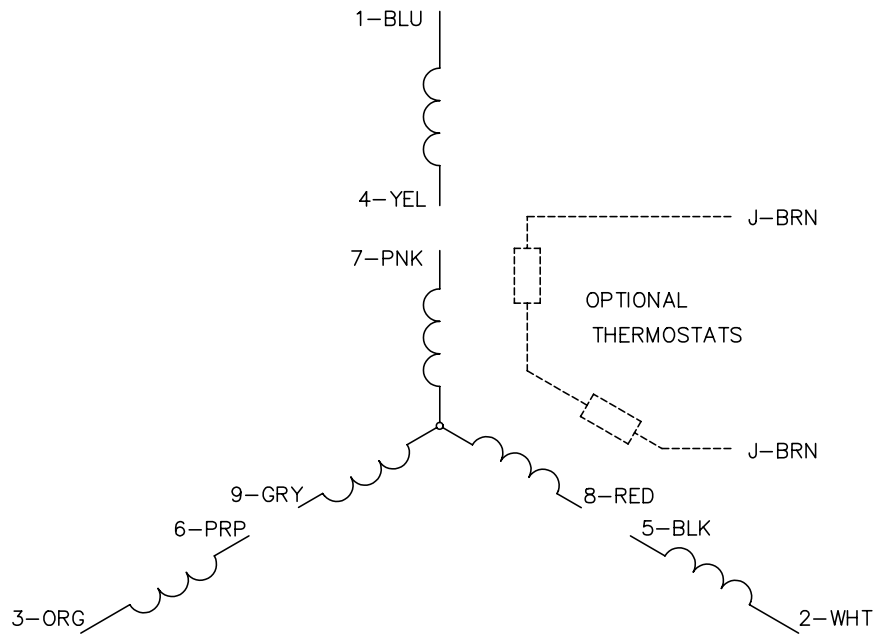
% of Rated Load	25	50	75	100	125	150	S.F.
Power Factor:	30.0	39.0	50.0	57.0	64.0	69.0	66.0
Efficiency:	40.0	55.6	62.3	64.0	64.8	64.3	64.6
Speed:	1785.0	1772.0	1758.0	1743.0	1729.0	1713.0	1722.0
Line Amperes:	0.64	0.65	0.66	0.67	0.74	0.79	0.76

Performance Graph at 460V, 60Hz, 0.25HP Typical performance - Not guaranteed values

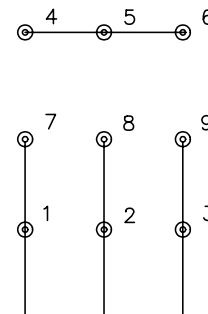




CD0005

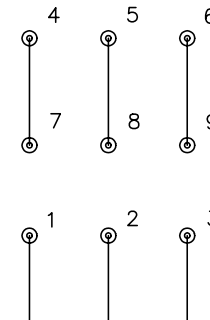


LOW VOLTAGE
(2Y)



LINE

HIGH VOLTAGE
(1Y)



LINE

NOTES:

1. INTERCHANGE ANY TWO LINE LEADS TO REVERSE ROTATION.
2. OPTIONAL THERMOSTATS ARE PROVIDED WHEN SPECIFIED.
3. ACTUAL NUMBER OF INTERNAL PARALLEL CIRCUITS MAY BE A MULTIPLE OF THOSE SHOWN ABOVE.
4. LEAD COLORS ARE OPTIONAL. LEADS MUST ALWAYS BE NUMBERED AS SHOWN.

REV. DESC: REVISE TO SHOW OPTIONAL COLORS			
REV. LTR: E	BY: JLP	REVISED: 01/19/99 10:15	TDR: 0171435
900000		FILE: AAA00005140	MDL: -
		MTL: -	

BALDOR ELECTRIC Co.

3PH, DV, 9 LEADS

CD0005