

15kV	600/200A Stick Op Loadbreak Bushing Adapter	655BEA3
------	---	---------



Features:

- 15Kv Tap, 200 Amp Loadbreak Rated
- Includes hex-broach for torque installation
- Peroxide-cured insulation and jacket
- All copper current path
- Constructed of EPDM molded rubber
- Converts a 650 series Bushing Interface to a 200 Amp Loadbreak Interface

655BEA3 Stick Op Loadbreak Bushing Adapter

Applications:

The Elastimold® 655BEA3 Loadbreak bushing adapter is constructed of EPDM molded rubber and is used in conjunction with the Elastimold® stick operable 600 Amp deadbreak connector system. The unit mates with a 600 Amp bushing interface and provides a 200 Amp loadbreak tap. An access hole thru the bore of the reducing tap plug allows use of a 600AT operating tool to bolt and secure the component to a mating 600 Amp bushing apparatus. The following Elastimold® products are used with the 655BEA3:

- K650S1
- K650T1
- 167DR
- 167DRG
- 165LR
- 167ESA-XX

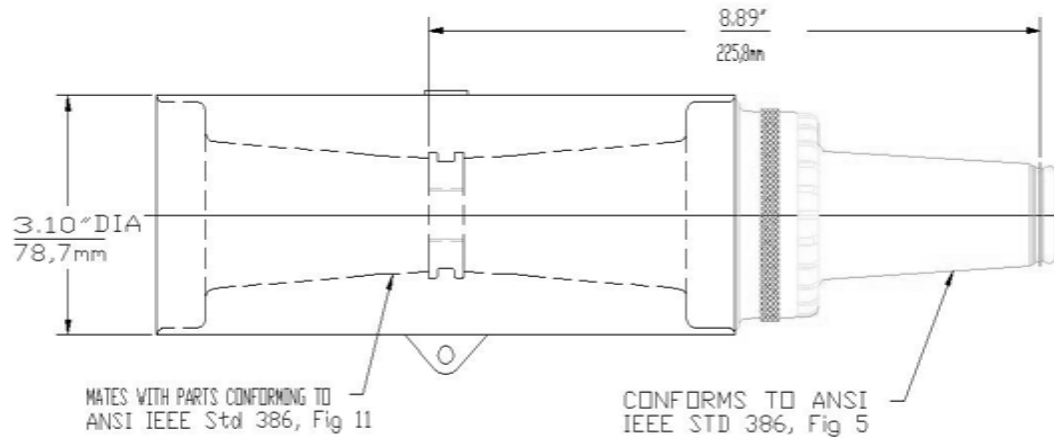
Ratings:

Meets ANSI/IEEE Standard 386, Latest Revision

For 15kV Voltage Class:

8.3kV Max Phase-to-Ground – Operating Voltage
 14.4kV Max Phase-to-Phase
 95kV BIL – Impulse Withstand (1.2 x 50 microsecond wave)
 34kV AC – One minute withstand
 53kV DC – 15 minutes withstand
 11kV AC – Corona Extinction @ 3pC sensitivity
 200 Amp – Continuous and Loadbreak
 10kA Sym – 10 Cycles Momentary & Fault Close

15kV	600/200A Stick-Op Loadbreak Bushing Adapter	655BEA3
------	--	---------



Ordering Instructions:

To order, specify number **655BEA3** loadbreak bushing adapter.

Each kit contains the following:

1	Elbow tap plug	655BEA3
2	Lubricant	82-08
1	Installation Instruction	IS-0174

Notes:

- 600AT Assembly Tool required for operation and/or installation of Stick-Op device
- For 900 Amp ratings, substitute 675BEA3