

BALDOR® • **RELIANCE**

Product Information Packet

ECP83771T-4

10HP,3475RPM,3PH,60HZ,215T,0742M,TEFC,F1

Part Detail							
Revision:	U	Status:	PRD/A	Change #:		Proprietary:	No
Type:	AC	Elec. Spec:	07WGY930	CD Diagram:	CD0006	Mfg Plant:	
Mech. Spec:	07K629	Layout:	07LYK629	Poles:	02	Created Date:	01-14-2012
Base:	RG	Eff. Date:	05-22-2017	Leads:	3#14		

Specs			
Catalog Number:	ECP83771T-4	Inverter Code:	Inverter Duty
Enclosure:	TEFC	KVA Code:	H
Frame:	215T	Lifting Lugs:	Standard Lifting Lugs
Frame Material:	Iron	Locked Bearing Indicator:	Locked Bearing
Output @ Frequency:	10.000 HP @ 60 HZ	Motor Lead Quantity/Wire Size:	3 @ 14 AWG
Synchronous Speed @ Frequency:	3600 RPM @ 60 HZ	Motor Lead Exit:	Ko Box
Voltage @ Frequency:	460.0 V @ 60 HZ	Motor Lead Termination:	Flying Leads
XP Class and Group:	CLI GP A,B,C,D	Motor Type:	0742M
XP Division:	Division II	Mounting Arrangement:	F1
Agency Approvals:	UR	Power Factor:	91
	CSA EEV	Product Family:	Super-E Chemical Processing
	CSA	Pulley End Bearing Type:	Ball
Auxillary Box:	No Auxillary Box	Pulley Face Code:	Standard
Auxillary Box Lead Termination:	None	Pulley Shaft Indicator:	Standard
Base Indicator:	Rigid	Rodent Screen:	None
Bearing Grease Type:	Polyrex EM (-20F +300F)	Shaft Extension Location:	Pulley End
Blower:	None	Shaft Ground Indicator:	No Shaft Grounding
Constant Torque Speed Range:	6	Shaft Rotation:	Reversible

Current @ Voltage:	11.300 A @ 460.0 V	Shaft Slinger Indicator:	Shaft Slinger
Design Code:	B	Speed Code:	Single Speed
Drip Cover:	No Drip Cover	Motor Standards:	NEMA
Duty Rating:	CONT	Starting Method:	Direct on line
Electrically Isolated Bearing:	Not Electrically Isolated	Thermal Device - Bearing:	None
Feedback Device:	NO FEEDBACK	Thermal Device - Winding:	None
Front Face Code:	Standard	Vibration Sensor Indicator:	No Vibration Sensor
Front Shaft Indicator:	None	Winding Thermal 1:	None
Heater Indicator:	No Heater	Winding Thermal 2:	None
Insulation Class:	F	XP Temp Code:	T3C

Nameplate NP3235E											
CAT.NO.	ECP83771T-4										
SPEC.	07K629Y930G1										
HP	10	TE						IP	56		
VOLTS	460										
AMP	11.3										
RPM	3500										
FRAME	215T					HZ	60				
SER.F.	1.15			CODE	H	DES	B			PH	3
RATING	40C AMB-CONT									CL	F
SN											
DE	6307					ODE	6307				
NEMA-NOM-EFF	91					PF	91				
G.MIN.EFF	89.5					CC	010A				
T. CODE	T3C					T=	160				

Nameplate NP3186E			
SPEC.	07K629Y930G1		
D.E. BRG.	35BC03X30X		
O.D.E. BRG.	35BC03X30X		
GREASE	POLYREX EM		
WEIGHT	182	# OF ROTOR BARS	28
RPM MAX	5400	MAX. KVAR	N/A
BLANK			
INV. TYPE	PWM	# OF STATOR SLOTS	36
T=	160	C HP TO	90
C HP FR	60	CT HZ TO	60
CT HZ FROM	6	VT HZ TO	60
VT HZ FROM	3	HTR-AMPS	N/A
HTR-VOLTS	N/A	MAX. SPACE HEATER TEMP.	N/A
HTR-WATTS			

AC Induction Motor Performance Data

Record # 47355 - Typical performance - not guaranteed values

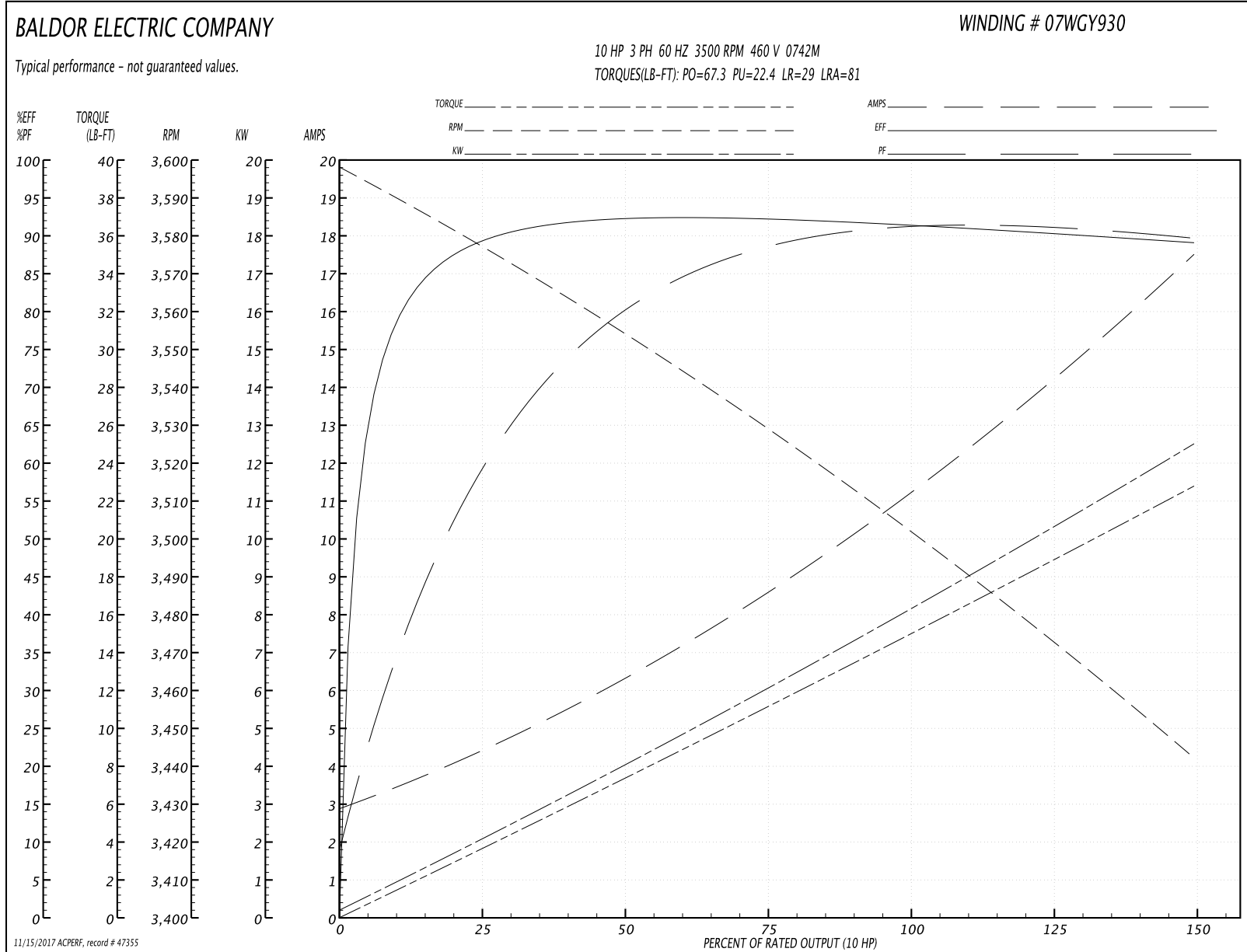
Winding: 07WGY930-R013	Type: 0742M	Enclosure: TEFC
-------------------------------	--------------------	------------------------

Nameplate Data				460 V, 60 Hz: Single Voltage Motor	
Rated Output (HP)	10			Full Load Torque	14.8 LB-FT
Volts	460			Start Configuration	direct on line
Full Load Amps	11.3			Breakdown Torque	67.3 LB-FT
R.P.M.	3500			Pull-up Torque	22.4 LB-FT
Hz	60	Phase	3	Locked-rotor Torque	29 LB-FT
NEMA Design Code	B	KVA Code	H	Starting Current	81 A
Service Factor (S.F.)	1.15			No-load Current	3.11 A
NEMA Nom. Eff.	91	Power Factor	91	Line-line Res. @ 25°C	0.791 Ω
Rating - Duty	40C AMB-CONT			Temp. Rise @ Rated Load	50°C
S.F. Amps				Temp. Rise @ S.F. Load	62°C
				Locked-rotor Power Factor	30.3
				Rotor inertia	0.383 LB-FT ²

Load Characteristics 460 V, 60 Hz, 10 HP

% of Rated Load	25	50	75	100	125	150	S.F.
Power Factor	64	81	88	89	91	90	91
Efficiency	89.1	92.2	92.3	91.6	90.3	89.1	90.9
Speed	3576	3554	3530	3504	3474	3442	3486
Line amperes	4.08	6.21	8.61	11.3	14.1	17.4	13

Performance Graph at 460V, 60Hz, 10.0HP Typical performance - Not guaranteed values



AC Induction Motor Performance Data

Record # 65135 - Typical performance - not guaranteed values

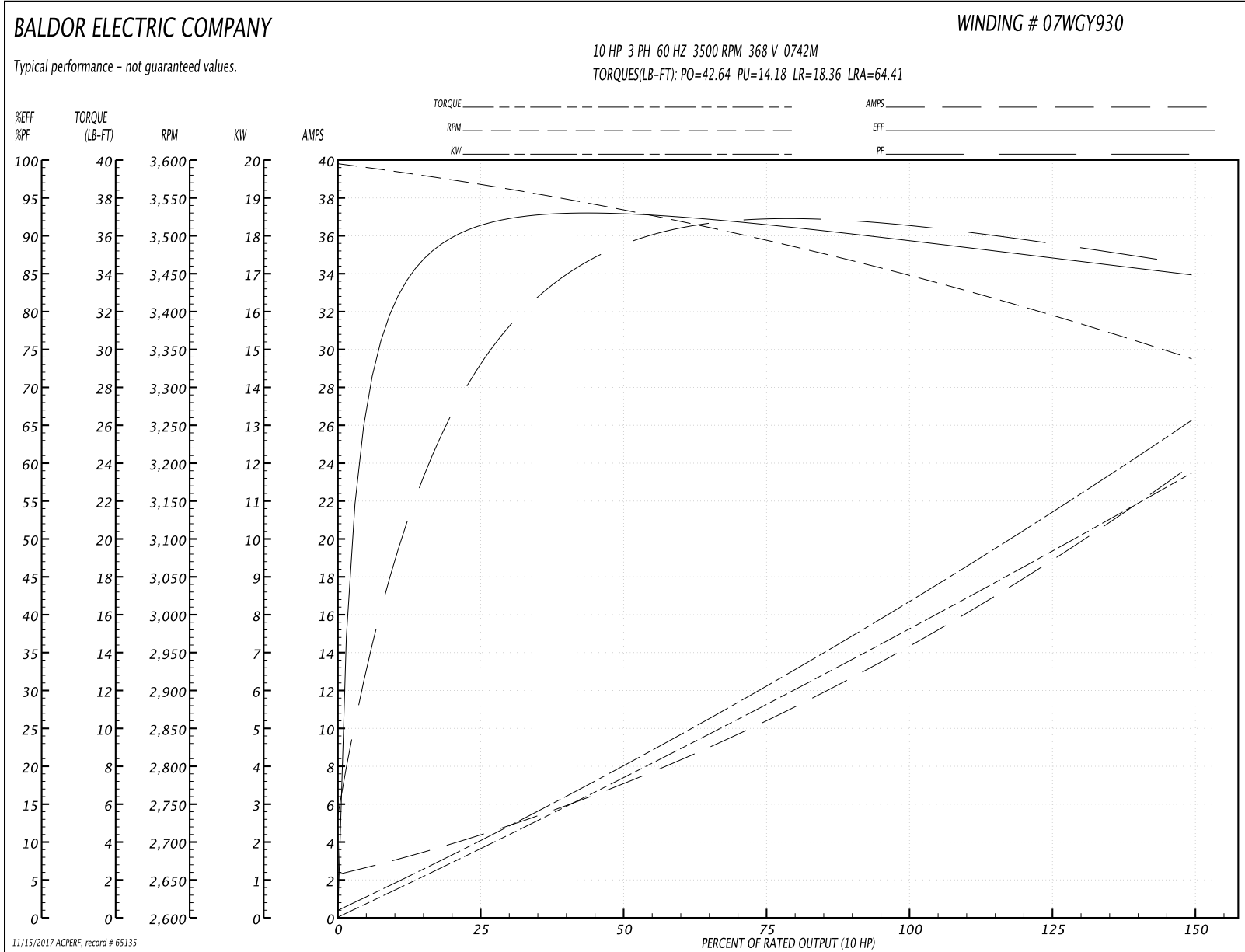
Winding: 07WGY930-R013	Type: 0742M	Enclosure: TEFC
-------------------------------	--------------------	------------------------

Nameplate Data				368 V, 60 Hz: Single Voltage Motor	
Rated Output (HP)	10			Full Load Torque	15.02 LB-FT
Volts	460			Start Configuration	direct on line
Full Load Amps	11.3			Breakdown Torque	42.64 LB-FT
R.P.M.	3500			Pull-up Torque	14.18 LB-FT
Hz	60	Phase	3	Locked-rotor Torque	18.36 LB-FT
NEMA Design Code	B	KVA Code	H	Starting Current	64.41 A
Service Factor (S.F.)	1.15			No-load Current	2.43 A
NEMA Nom. Eff.	91	Power Factor	91	Line-line Res. @ 25°C	0.791 Ω
Rating - Duty	40C AMB-CONT			Temp. Rise @ Rated Load	66°C
S.F. Amps				Temp. Rise @ S.F. Load	87°C
				Locked-rotor Power Factor	30.1
				Rotor inertia	0.383 LB-FT ²

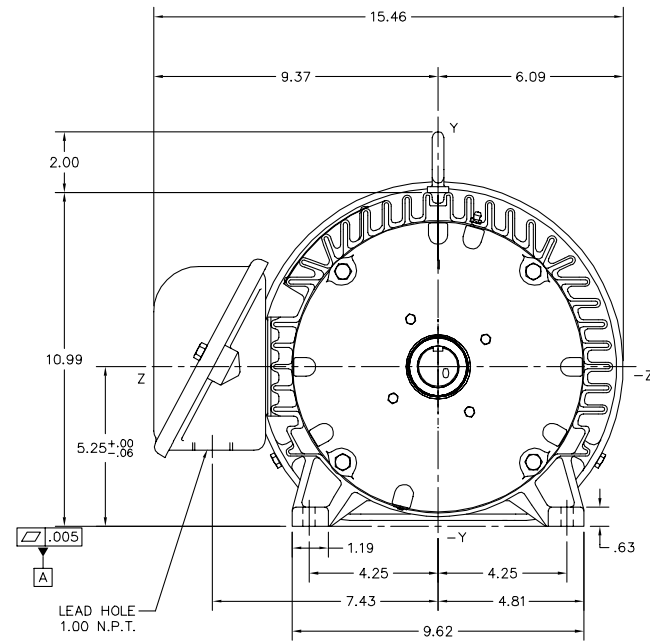
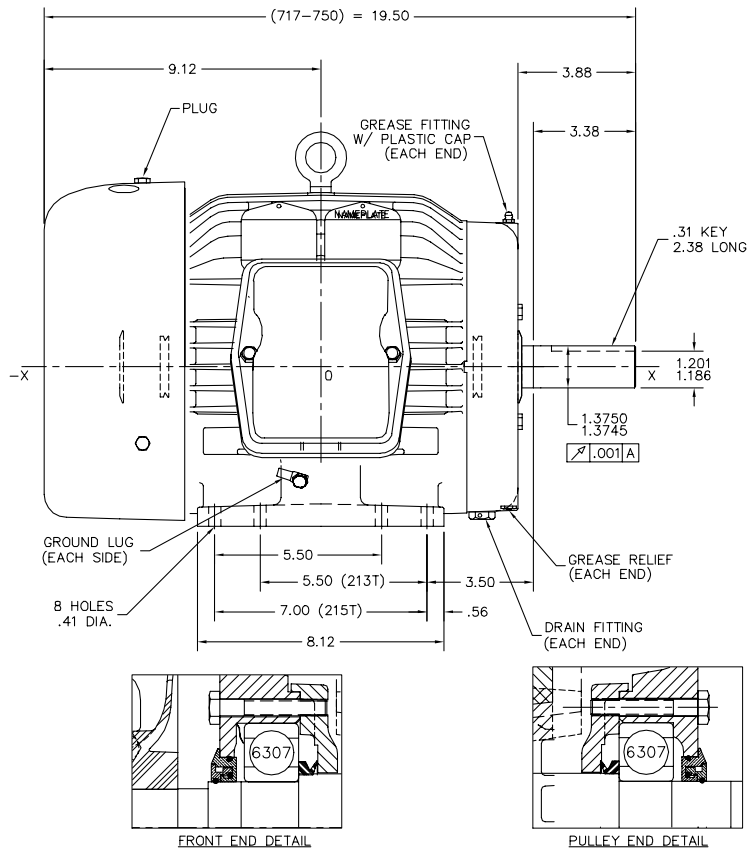
Load Characteristics 368 V, 60 Hz, 10 HP

% of Rated Load	25	50	75	100	125	150	S.F.
Power Factor	79	89	91	90	90	86	90
Efficiency	90.5	92.3	91.4	89.7	87.4	84.6	88.3
Speed	3565	3532	3495	3453	3401	3335	3422
Line amperes	4.09	7.1	10.43	14.25	18.44	23.94	16.8

Performance Graph at 368V, 60Hz, 10.0HP Typical performance - Not guaranteed values



07LYK629



SPEC	MOTOR WEIGHT	C.O.G. FROM CENTERLINE
07K629X813G32	231 LBS	X=.01, Y=.48, Z=.24

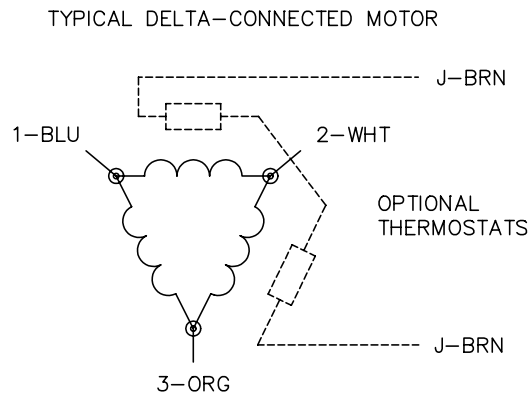
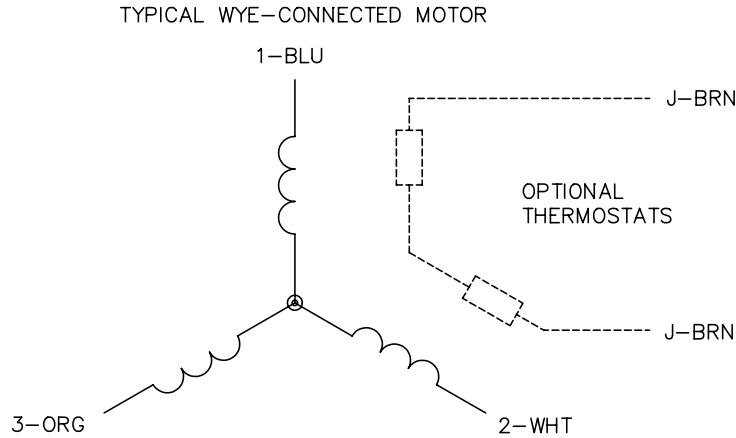
07LYK629

CUSTOMER IS RESPONSIBLE FOR DETERMINING THAT BALDOR'S PRODUCT WILL PERFORM SUITABLY IN THE INTENDED APPLICATION.

REV. DESC: ADD X, Y, Z & 0,0,0	VERSION: 07	TDR: 000000996213
REV. LTR: G	REVISD: 03:23:06 09/08/2016	BY: ENALEMO
FILE: \AAA\00118\406		
MTL: -		

BALDOR
 STD HORZ 213-5T TEFC 07M (ECP) IEEE841
 SH 1 of 1

CD0006



NOTES:

1. THREE LEAD MOTOR MAY BE EITHER WYE CONNECTED OR DELTA CONNECTED.
2. INTERCHANGE ANY TWO LINE LEADS TO REVERSE ROTATION.
3. OPTIONAL THERMOSTATS ARE PROVIDED WHEN SPECIFIED.
4. ACTUAL NUMBER OF INTERNAL PARALLEL CIRCUITS MAY VARY.
5. LEAD COLORS ARE OPTIONAL. LEADS MUST BE NUMBERED AS SHOWN.

REV. DESC: REVISE TO SHOW OPTIONAL COLORS			
REV. LTR: D	BY: JLP	REVISED: 01/21/99 4:02	TDR: 0171435
9000D		FILE: AAA00005141	MDL: -
		MTL: -	

BALDOR ELECTRIC Co.

3PH, SV, 3 LEADS, WYE OR DELTA CONNECTED

CD0006